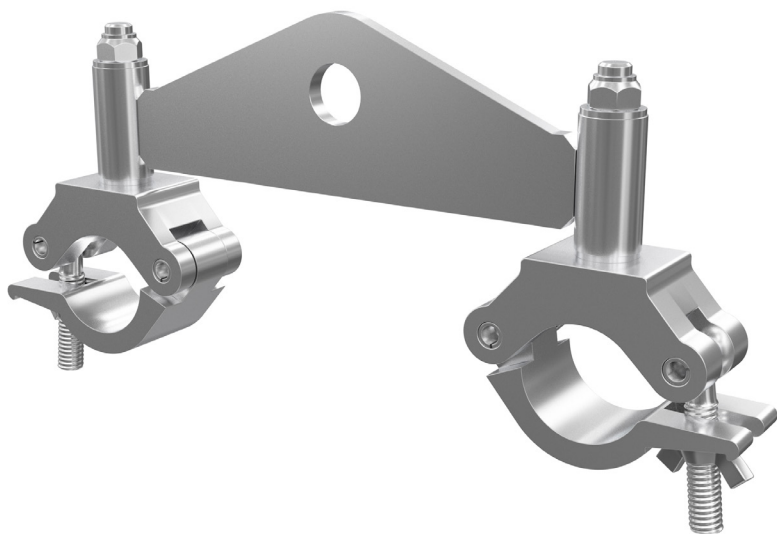


# GIZMO FOR F33/F34

DATA SHEET



With the Global Truss Gizmo for F33 / F34 it is possible to suspend trusses in a fast and secure way. The design offers a high load capacity and is suitable with Global Truss F33, F33PL, F34 as well as F34P trusses.

The Gizmo is suitable for operation above persons and is delivered with two half-couplers.

This Gizmo is available in two versions:

**GIZMO29**  
**GIZMO29-B**

**galvanized**  
**Stage Black finish**

## TECHNICAL DATA

Load: 1500 kg / WLL  
750 kg above people  
System: for F33 / F33PL / F34 / F34P  
Hole: 25 mm

Inclusive two Half-Coupler (Code 8121)

