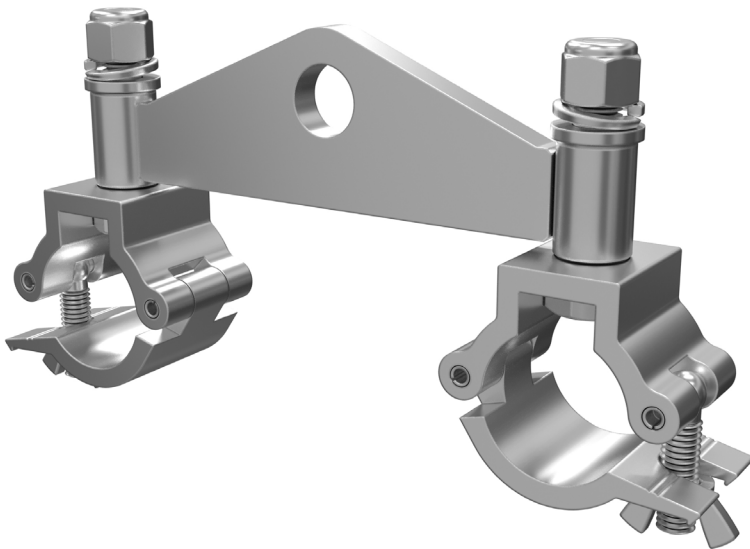


GIZMO FOR F14

DATA SHEET



With the Global Truss Gizmo for F14 it is possible to suspend trusses in a fast and secure way. The design offers a high load capacity and is suitable with Global Truss F14 trusses.

The Gizmo is suitable for operation above persons and is delivered with two half-couplers.

This Gizmo is available in two versions:

GIZMO10
GIZMO10-B

Galvanized
Stage Black finish

TECHNICAL DATA

Load: 60 kg / WLL
30 kg above people
System: for F14
Hole: 10 mm

Inclusive two Half-Coupler (Code F14TA)

