

USER MANUAL

PYRA WL-1



Download Smart Garden App

Smart Garden App allows you to control and customize your controls for Smart Solar Lamp via your smart device.

Search for the latest version on Apple App store or Google Play

CONTENTS

02	IMPORTANT SAFETY INSTRUCTIONS
03	GETTING TO KNOW SMART SOLAR LAMP
07	USING YOUR SMART SOLAR LAMP
12	TROUBLESHOOTING

IMPORTANT SAFETY INSTRUCTIONS

Read All Instructions Before Use And Save For Future Reference

This is an electric lamp-not a toy!
To avoid risk of fire, burns, personal injury and electric shock, it should not be played with or placed where small children can reach it.

SAVE THESE INSTRUCTIONS



To ensure correct installation and function, always follow these instructions.



DO NOT dismantle or modify by yourself. Always ask authorized person for repair.



DO NOT install near extreme heat sources, moisture, or corrosive substances.



Avoid contact with sharp objects and strong chemicals.



Any other problems during use, contact our Customer Support for help.

Getting to Know Smart Solar Lamp

In The Box



Smart Solar Lamp x 1

Short Screw x 2



Wall Plug x 2

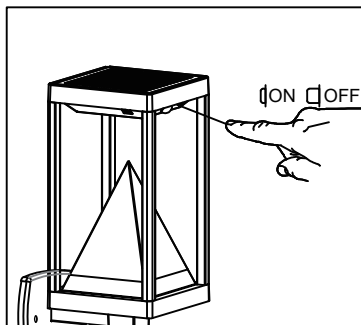
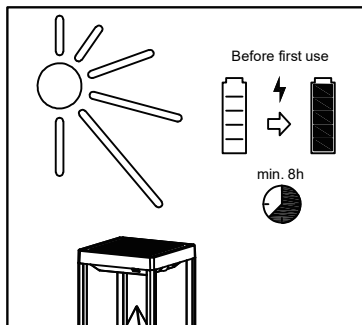
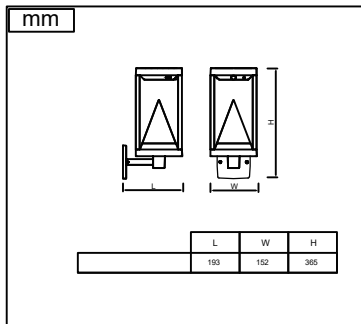
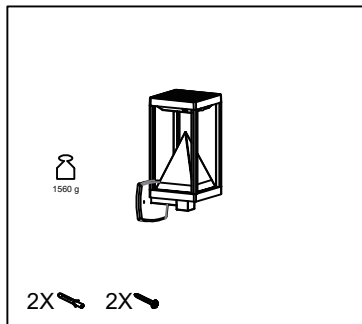


Instruction Manual x1

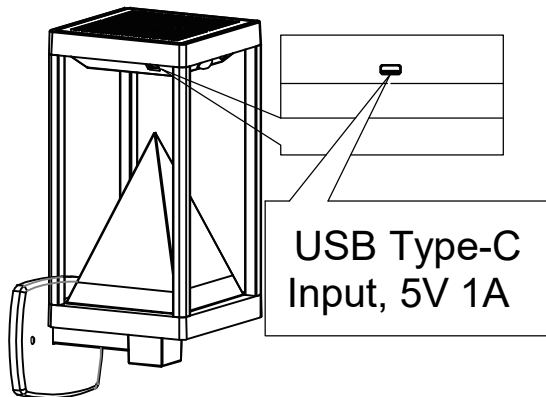


Specifications

Model	Pyra WL-1
Power Supply	1 x 3.7V 2200mAh Li-Ion Battery
Power	Max 6W
Input Power	5V 1A
Solar Panel	6V Monocrystalline
Body Material	Aluminum die casting
IP Grade	IP44
Supported OS	Android 5.0 or iOS 9.0 and above
Bluetooth	4.0 and above
Voice Control	Alexa & Google Assistant (only available when connect to Galaxy link light)



How to Charge



Method 1

- Put Lamp in Sunlight for ≥ 8 h

Method 2

- Lift the silicone seal ring
- Plug-in USB Type C Charge Cable and connect to the main power via an adaptor
- Remove the USB Type C charging Cable when Full Charged
- Cover the silicone seal ring

Switch button turns Red when Charging
Switch button turns Green when Full Charged

(For safety, the lamp will automatically turn off and is not available when charging by cable)

Using Your Smart Solar Lamp

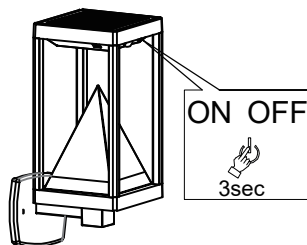
Connecting with Smart Device



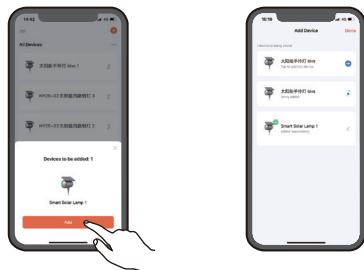
1. Download “Smart Garden” from Google Play or Apple App Store and install. Register as instructed



2. Make sure your smart device's bluetooth, cellular and location have turned on before pairing



3. Press the Power button to turn on the lamp (if the lamp has been paired with another device before, please reset the lamp, see page 10)

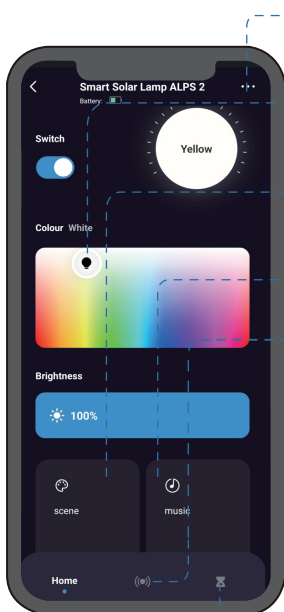


4. Open App, follow the on-screen instructions to add your lamp.

Controlling with APP



Always make sure your smart device's bluetooth have turned on to control the lamp



●●● About

Information about the device or other



Static Color Settings

Customize the color or brightness



Dynamic Scene Settings

Select a preset Scene(6 Scene available), edit or add a new scene?



Music Rhythm

Select the rhythm collected by mic of smart device.



Auto

Customize lamp sensor mode

Motion Detection

Select three level detection sensitivity:High,Middle,Low

Full Light Mode

Set the full brightness duration:5s~60min.

Intelligent Linkage

Linkage between smart device and other smart devices

Induction Recording

Record the details of each induction

Setting

Luminance Detection:Trigger lamp under 5 brightness circums:Day,Dusk,Evening,Night,Dark

Slight Brightness Mode Setting:

ON/OFF: If turn on,lamp will enter into slight light after the completion of full light.

Brightness:set brightness from 1% to 30%

Duration:Set duration from 1min. to 8h

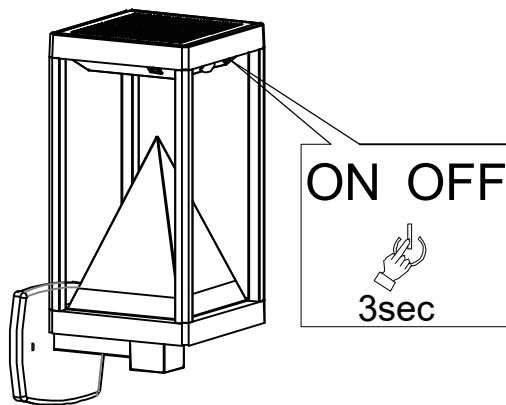


Countdown

The lamp will turn off automatically after the countdown.

Using Your Smart Wall Lamp

Controlling without Smart Device



The lamp can also be controlled without Smart device:
Press the power button once to switch mode between:

1. Mode A: Lamp breathe twice, then turn into Sensor* mode
2. Mode B: Constant Lighting
3. Turn Off

If lamp has connected to a smart device before, the lamp will automatically use color, brightness & duration set last time.

In Default Sensor* Mode: motivation detected work in 100% high brightness for 10s convert to 30% slight brightness for 1 mins turn off, any motivation will renew the circulation.

(Brightness and Duration of High/Slight brightness mode are both adjustable according to latest smart device's setting)

IMPORTER:**B&K LUMITEC**

2 rue Alfred Kastler
Zone Industrielle
67850 Herrlisheim - France

OFFICE FRANCE

+33 (0) 3.88.96.80.90
info@bklumitec.com

OFFICE EXPORT

+49 (0) 7248 94790 30
export@bklumitec.com