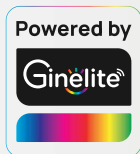


 **LedDoo**



USER MANUAL

ECLIPSE WL-1



Download Smart Garden App

Smart Garden App allows you to control and customize your controls for Smart Garden Lamp via your smart device.

Search for the latest version on Apple App store or Google Play

CONTENTS

02	IMPORTANT SAFETY INSTRUCTIONS
03	GETTING TO KNOW SMART LAMP
07	USING YOUR SMART LAMP
12	TROUBLESHOOTING

IMPORTANT SAFETY INSTRUCTIONS

Read All Instructions Before Use And Save For Future Reference

This is an electric lamp-not a toy!
To avoid risk of fire, burns, personal injury and electric shock, it should not be played with or placed where small children can reach it.

SAVE THESE INSTRUCTIONS



To ensure correct installation and function, always follow these instructions.



DO NOT dismantle or modify by yourself. Always ask authorized person for repair.



DO NOT install near extreme heat sources, moisture, or corrosive substances.



Avoid contact with sharp objects and strong chemicals.



Any other problems during use, contact our Customer Support for help.

Getting to Know Smart Lamp

In The Box



Smart Lamp x 1



Wall Plug x 2



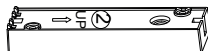
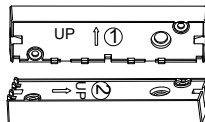
Long Screw x 2



Short Screw x 2



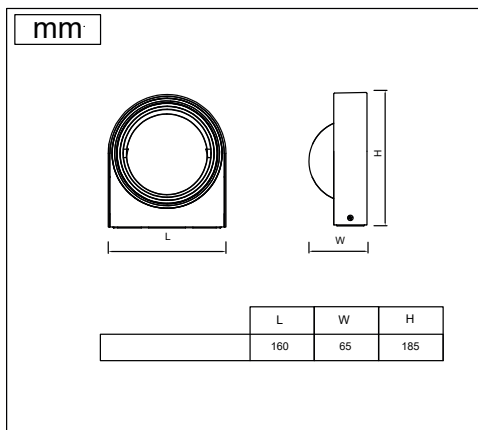
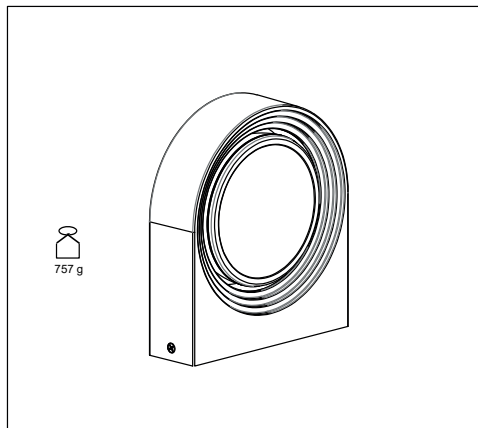
Allen Key x 1



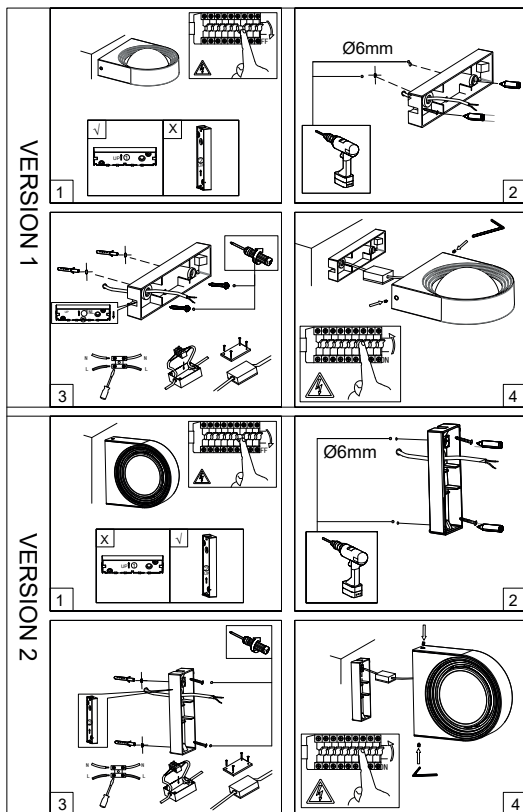
Bracket x 2

Specifications

Model	Eclipse WL-1
Input Voltage	220-240V
Rated Frequency	50/60Hz
Input Current	50mA
Power	6.7w
Body Material	Aluminum die casting
IP Grade	IP44
Supported OS	Android 5.0 or iOS 9.0 and above
Bluetooth	4.0 and above
Voice Control	Alexa & Google Assistant (only available when connect to Galaxy link light)



How to Connect



Attention: 1.The lamp shall be installed by licensed electricians

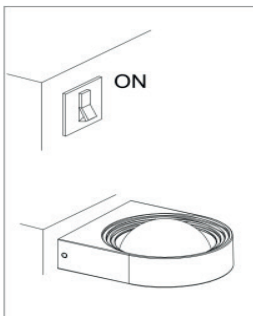
2.Cut off the power to avoid electric shock before installation

Using Your Smart Lamp

Connecting with Smart Device



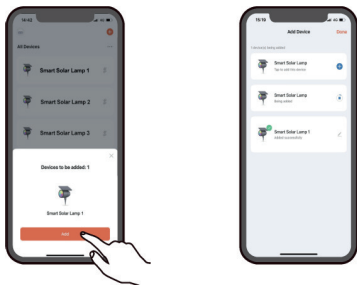
1. Download "Smart Garden" from Google Play or Apple App Store and install. Register as instructed
2. Make sure your smart device's bluetooth and location have turned on before pairing.
3. Make sure your smart device be connected to WIFI.
4. Power on the lamp, the lamp will light and then flash for max.5 mins waiting to be paired.
(if the lamp has been paired with another device before, please reset the lamp, see page 8)



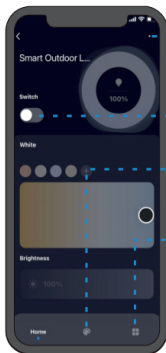
Controlling with APP



Always make sure your smart devices bluetooth have turned on to control the lamp



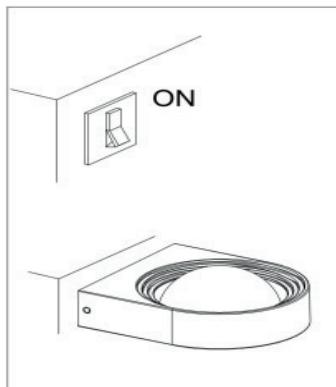
5. Open App, follow the on-screen instructions to add your lamp.



- About**
Information about the device or other
- Switch On/Off**
tap to turn ON/OFF the lamp
- CCT Dimmable 3000-6500K**
Select a preset Scene(4 Scene available) edit or add a new scene?
- Plan**
Schedule for the auto-off timer.
- Power Save Mode**
Lower the brightness when battery is low
- Sync Mode**
Set the sync locations and start syncing with other TuYa product

Using Your Smart Lamp

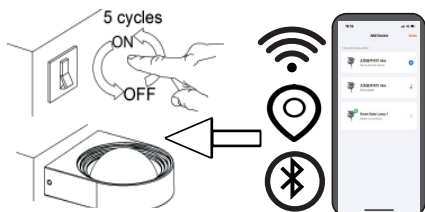
Connecting with Smart Device



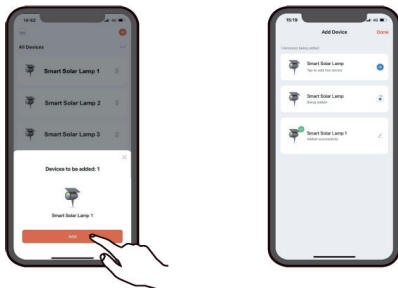
1. After the smart lamp is successfully paired into intelligent mode, the color temperature can be adjusted from 3000K to 6500K.
2. The smart phone will keep the same memory of brightness and color temperature last time before resetting it.

*One smart lamp to one smart device.

Switch to a new device/Reset the lamp



1. Before powering on the lamp, press the switch for 5 cycles into flashing state, the lamp has now been reseted and automatically turn into pairing mode.
2. Make sure your new device's bluetooth and location have turned on.
3. Make sure your smart device be connected to WIFI.



4. Open App on new device, follow the on-screen instructions to add your light.

Troubleshooting

Problem	Reason	Proposed scheme
Connecting Failure	Cannot find Smart Lamp on App when adding lamp	Make sure Bluetooth and Location have turned on and Smart Garden App is authorized to use above function.
Enter into Constant Mode	The Smart Lamp not be connected to smart device	if your smart lamp is not successfully paired with smart device within flashing state 3 mins, it will enter into constant mode with 3000K.

Please keep all the relevant information for future reference!

IMPORTER:**B&K LUMITEC**

2 rue Alfred Kastler
Zone Industrielle
67850 Herrlisheim - France

OFFICE FRANCE

+33 (0) 3.88.96.80.90
info@bklumitec.com

OFFICE EXPORT

+49 (0) 7248 94790 30
export@bklumitec.com