



WP-4 BUBBLE FOG MACHINE

Product Code: 120590

1.1 What Is Included

- WP-4 Super Bubble Fogger × 1
- Power cord × 1
- Warranty card × 1




Optional accessory: Flightcase (Extra charge)

1.2 Unpacking Instructions

Carefully unpack the product immediately and check the container to make sure all the parts are in the package and are in good condition.

If the box or the contents (the product and included accessories) appear damaged from shipping, or show signs of mishandling, notify the carrier or dealer/seller immediately. In addition, keep the box and contents for inspection.

1.3 Symbols

Symbol	Meaning
	Caution Critical installation, configuration, or operation information. Not following these instructions may make the product not work, cause damage to the product, or cause harm to the operator.
	Important Important installation or configuration information. Failure to comply with this information may keep the product from working correctly.
	Information Useful information.

1.4 Disclaimer

The information and specifications contained in this User Manual are subject to change without notice. DJPOWER assumes no responsibility or liability for any errors or omissions and reserves the right to revise or to create this manual at any time.

Copyright © 2019 DJPOWER. All rights reserved.

1.5 Safety Notes

Please read the following Safety Notes carefully before working with the product. The notes include important safety information about installation, usage, and maintenance.

- Always connect the product to a grounded circuit to avoid the risk of electrocution.
- Make sure that children, unauthorized people and animals do not obtain access to the machine.

1.5.2 Mounting and Rigging

- The product is for indoor use! To prevent risk of fire or shock, do not expose the product to rain or moisture.
- CAUTION: When transferring product from extreme temperature environments, (e.g. cold truck to warm humid ballroom) condensation may form on the internal electronics of the product. To avoid causing a failure, allow product to fully acclimate to the surrounding environment before connecting it to power.
- Do not mount the product on a flammable surface (linoleum, carpet, wood, paper, carton, plastic, etc.).
- Do not use in a confined space. Always install the product in a location with adequate ventilation, at least 20 in (50 cm) from adjacent surfaces.
- Be sure that no ventilation slots on the product's housing are blocked.
- when hanging, please use the safety cables to fix four safety loop on the top cover and two handles on side cover.

1.5.3 Power and Wiring

- Always make sure that the voltage of the outlet to which you are connecting the product is within the range stated on the decal or rear panel of the product.
- Make sure the power cord is not crimped or damaged.
- Do not connect the machine to the dimming controller or rheostat.
- Never disconnect the product from power cord by pulling or tugging on the cord.
- To eliminate unnecessary wear and improve its lifespan, during periods of non-use completely disconnect the product from power via breaker or by unplugging it.

1.5.4 Installation Instructions

- Do not operate this product if you see damage to the housing or cables. Have the damaged parts replaced by an authorized technician at once.
- Make sure there are no flammable materials close to this product while it is operating.
- Do not cover or plug the output nozzle during operation.
- Do not cover the ventilation slots when operating to avoid internal overheating.
- Wipe up spitted fluid immediately. Moisture – also fluid – can destroy the electric.
- Never carry the product by the power cord or any moving part. Always use the handles.
- Empty the storage bin before transporting the product.

From the tank before transferring the product. Bubble fluid or the fog fluid tanks should be used for the relevant fluid only.

- Always disconnect the product from the power source before cleaning.
- This product contains no user-serviceable parts. Any reference to servicing in this User Manual will only apply to properly trained, certified technicians. Do not open the housing or attempt any repairs which can lead to damage or malfunction.
- In the event of a serious operating problem, stop using the product immediately.
- Use only DJPOWER Consumable. Bubble fluid PRO-PW and fog fluid PRO-C are recommended.



Please save this manual for future use. When resell the machine, be sure to attach the instructions.

2 INTRODUCTION

2.1 Description

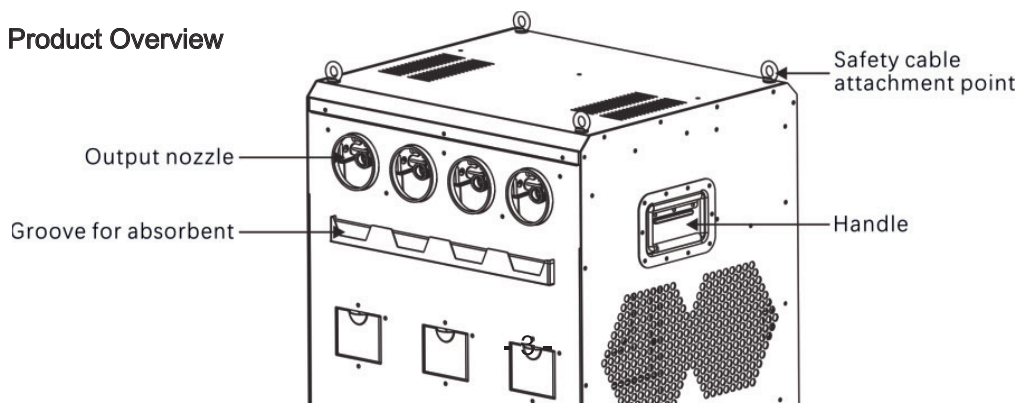
TOPCAT WP-4 is a newly launched professional bubble fog machine for big stages and event halls. The 4-nozzle design can help produce huge amount of bubbles with fog filled inside. Innovative patented Jet-design ensures fog being trapped inside bubbles, avoids too much fog dispersing in the air. The height and distance of the bubble fog can be adjusted through changing the air outlet angle. Bubble fluid is well stored and sealed in the tank without going bad even after long time to ensure high quality show.

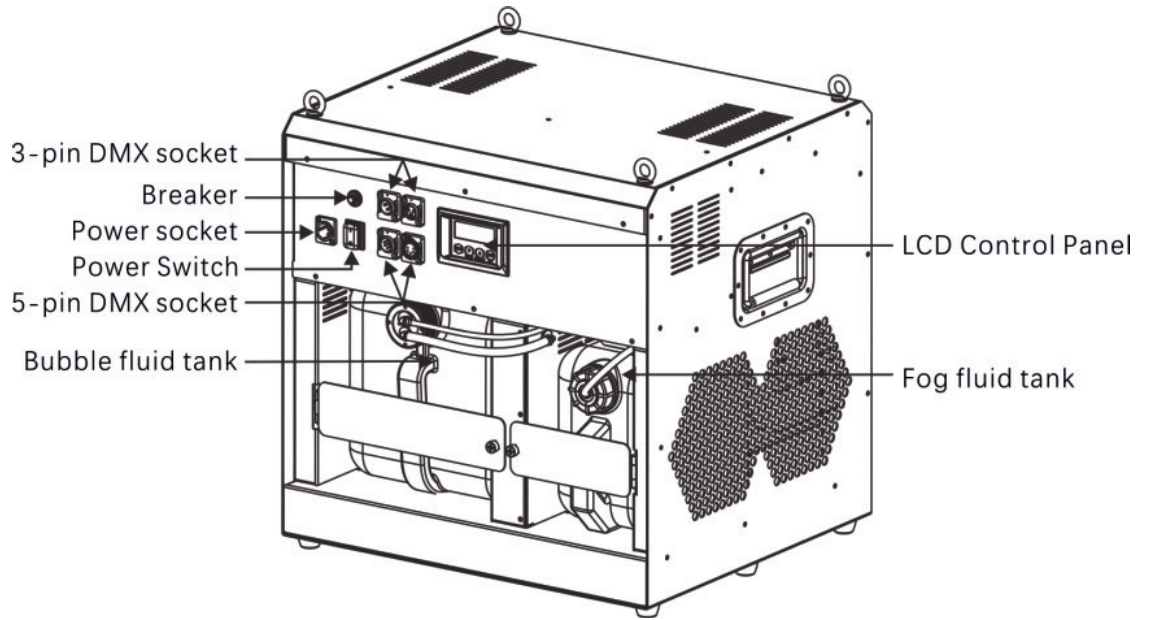
2.2 Features

- Innovative Jet design, create massive amount of fog filled bubbles;
- Well-designed heating system releases the fog evenly and purely, no fluid dropping off;
- Innovative Jet design, create massive amount of fog filled bubbles;
- Three fans with adjustable angles make the fog bubble fly higher, further;
- Built-in LCD control, 3-pin and 5-pin DMX control, easy to use;
- Big size fluid tanks, long running time on full output;
- Please use DJPOWER special bubble fluid PRO-PW and fog fluid PRO-C.

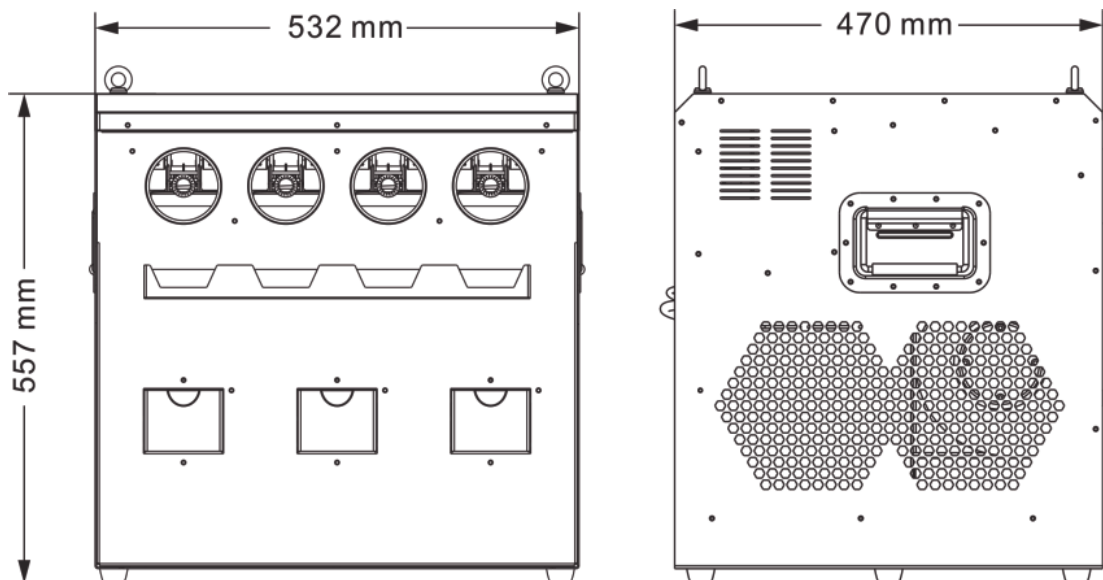
Note: The actual effect may be affected by the using environment.

2.3 Product Overview





2.4 Product Dimensions



AC Power	Input Voltage & Rate	AC 220-240 V, 50/60 Hz ; AC 110-120 V, 50/60 Hz
	Current Limiter Type	Breaker
	Current Limiter Specifications	8 A, 250 V
	Total Power Consumption	1,600 W
Heating	Heat Up Time	Appr. 3.5 min
Capacity	Bubble Fluid Tank Capacity	9 L
	Fog Fluid Tank Capacity	5 L
Output	Adjustable Output	√
	Max Fog Output Volume	Appr. 6,000 cuft/min
	Max Output Height	Appr. 10 m
	Max Output Distance	Appr. 10 m
	Fog Fluid Consumption (100% Output)	Appr. 90.9 min/L
	Bubble Fluid consumption (100% Output)	Appr. 12.5 min/L
	Consumable Type for Standard Output Test	PRO-PW and PRO-C and PRO-J
Placement & Mounting	Horizontal	√
	Inclined	×
	Sidelong	×
	Hang Upside Down	×
	Rigging & Trussing	√
Control	On-device Manual Control	LCD control board
	Wireless Control	×
	Wired Control	×
	Control Protocol	DMX512
	DMX Channel Range	4
Consumable	Consumable	PRO-PW & PRO-C & PRO-J
Weight & Dimensions	Net Weight	40 kg
	Gross Weight	45.5 kg
	Machine Dimensions	532 × 470 × 557 mm
	Packing Dimensions	730 × 590 × 640 mm

4.1 AC Power

The machine has two kinds of voltage power supply, it can work with an input voltage of AC 110 V-120 V, 50/60 Hz or AC 220 V-240 V, 50/60 Hz, depending on the specific model.

To determine the product's power requirements (circuit breaker, power outlet, and wiring), use the current value listed on the label affixed to the product's back panel, or refer to the product's specifications chart. The listed current rating indicates the product's average current draw under normal conditions.



Always connect the product to a protected circuit (circuit breaker or fuse). Make sure the product has an appropriate electrical ground to avoid the risk of electrocution or fire.



Never connect the product to a rheostat (variable resistor) or dimmer circuit, even if the rheostat or dimmer channel serves only as a 0 to 100% switch.

4.2 AC Plug

The WP-4 Supper Bubble Fogger comes with a power input cord terminated with a Lockable power connector on one end. The other end is

- CN plug (CN market, etc.)
- EU plug (EU market, etc.)
- US plug (US market, etc.)

If the power input cord that came with your product has no plug, or if you need the change the plug, use the table below to wire the new plug:

Connection	Wire (U.S.)	Wire (Europe)
AC Live	Black	Brown
AC Neutral	White	Blue
AC Ground	Green/Yellow	Green/Yellow

4.3 Reset Breaker

- The unit is equipped with a resettable breaker. If the breaker trips, the unit will be disconnected from the power.
- Disconnect the machine from the power.
- Wait for about 15 minutes till the unit cools down.

Reconnect the machine to the power outlet and continue to use it as recommended.

4.4 DMX Linking

You can link the X-7M to a DMX controller using a 3- or 5-pin DMX connection. If using other DMX-compatible products with this product, you can control each individually with a single DMX controller. Instructions for connecting and configuring this product for DMX operation are in the User Manual.

4.5 Mounting

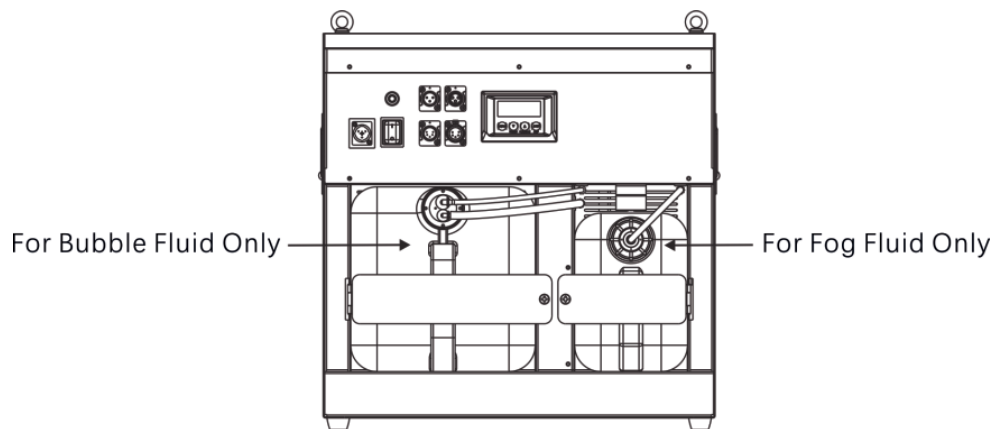
Before mounting the product, read and follow the safety recommendations indicated in the Safety Notes.

4.5.1 Orientation

For safety reasons, make sure the unit is well mounted through bracket and with safety cable. Also make sure there is adequate room for ventilation, configuration, and maintenance.



Do not mix bubble fluid and fog fluid.



4.5.2 Rigging

Using the following general guidelines when mounting this product:

- Before deciding on a location for the product, make sure there is easy access to the product for maintenance and programming purposes.
- Make sure that the structure or surface onto which you are mounting the product can support the product's weight (see the Technical Specifications).
- When mounting the product on the floor, make sure that the product and cables are away from people and vehicles.

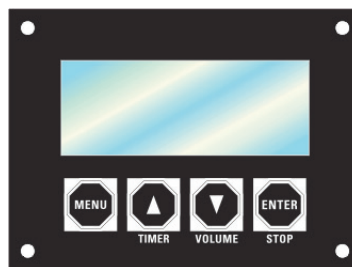
—

5.1 Preparing for Operation

- After checking that all the parts are intact and complete, position the machine on flat.
- Withdraw the fluid tank from its compartment and remove its cap. Add bubble fluid and fog fluid to the specified tank.
- Verify that the plastic hoses attached to the cap are in place and in good condition without bending or warp.
- Always connect the product to a grounded circuit. Before power on, make sure it is connected with the rated voltage.
- Turn on the machine, and “ Warming up” shows on the display during the heating-up process. After approx. 3 minutes, the display changes to “Ready to work” when the machine finishes heating.

5.2 On-device Control Mode & Operation

To access the control panel functions, use the four buttons located underneath the LCD display.



Button	Function
<MENU>	Switch menu pages to select a function
▲ <TIMER>	Increases the numeric value of current function Trigger TMER output mode
▼ <VOLUME>	Decreases the numeric value of current function Trigger Manual output mode
<ENTER> <STOP>	Save settings STOP turns the fog output off

5.2.1 Menu Map

Display	Description	Parameter Range
Standby page Warming Up >>>>>>>>>>	The unit is heating.	

	Ready To Work TOPCAT WP-4	means the fog system inhaled reading, and the unit is ready to emit haze.	
	Interval Set 10S	Press ▲ and ▼ button to set interval under TIMER mode.	5-200s
	Duration Set 10S	Press ▲ and ▼ button to set duration under TIMER mode.	5-200s
	Bubble Output ON	Press ▲ and ▼ button to set bubble output.	ON/OFF
Setting Pages	Haze Output 100%	Press ▲ and ▼ button to set haze output.	1%-100%/OFF
	Fan Speed 100%	Press ▲ and ▼ button to set fan speed.	1%-100%/OFF
	DMX512 Address 1	Press ▲ and ▼ button to set DMX starting address.	1 - 512
	Clean Mode OFF	Press UP or DOWN to set cleaning mode ON/OFF. (When cleaning mode is ON, it will override all the other functions. Default cleaning time is 1 minute without turning of the mode manually.)	ON/OFF
Working Status Page	Working TOPCAT WP-4	This is the page shows when the unit is working.	

5.3 DMX Mode & Operation

WP-4 Super Bubble Fogger works with a DMX controller.

- Connect the product to a suitable power outlet.
- Turn the product on.

5.3.1 DMX Working Page



Pressing “▲” or “▼” to set the DMX starting address

1 - 512

Standby and setup page



When setting the DMX starting address, the number of channels occupied by the DMX mode must be considered. If the starting address is too high, some channels may not be controlled.

In DMX mode, each machine responds to the control of the DMX controller through its own unique starting address. Machines with the same starting address will be synchronized accordingly.



When connected with DMX controller and receiving DMX signal, the LCD display will always show current DMX starting address which can be reset by pressing “▲” or “▼”.

5.3.2 DMX Channel Assignments and Values

WP-4 Super Bubble Fogger has 4 DMX channels and can be connected by 3-pin or 5-pin DMX sockets. Set the DMX start address within the range of 001-512, you can independently control 512pcs devices with one DMX channel.

Channel	Function	Value	Description
1	Bubble Output	0-10	OFF
		11-255	ON
2	Fog Output	0-10	OFF
		11-255	Fog volume, low to high
3	Wind Output	0-10	OFF
		11-255	Fan speed, low to high
4	Bubble cleaning mode	0-10	OFF
		11-255	When Bubble cleaning mode is ON, overriding other functions

6 TECHNICAL INFORMATION

6.1 Maintenance

Do not allow the WP-4 to become clogged due to the sticky bubble fluid. Cleaning and maintenance are necessary.

The recommended cleaning procedure is as follows.

2) Empty bubble fluid from the machine.

3) Add water to the bubble fluid tank.

4) Connect the product to power and allow it to warm up. Run the Cleaning Mode through Menu or DMX. Thoroughly rinse the Bubble fluid reservoir and fluid tube.

5) Run the product in a well-ventilated area. Do not allow the pump to run dry.

6) Excessive dust, fluid residue and dirt will degrade performance and cause overheating. Remove dust from air vents with air compressor, vacuum or soft brush. The casing could be cleaned by the damp cloth.

7) Restore the hoses and cap. Store the unit until next use.

Note : The default cleaning time is 1 minute. Without turning of the cleaning mode manually, it will shut of automatically after 1 minute.



Test-run your TOPCAT® WP-4 on a monthly basis to achieve the best performance.

6.2 Storage

Before storing the machine, clean it and empty the fluid tank.

1 VOR DEM START

1.1 Lieferumfang




- WP-4 Super Bubble Fogger × 1
- Power cord × 1
- Warranty card × 1

Optionales Zubehör: Flightcase

1.2 Auspacken

Packen Sie das Produkt sofort vorsichtig aus und überprüfen Sie den Behälter, um sicherzustellen, dass alle Teile in der Verpackung und in gutem Zustand sind. Wenn der Karton oder der Inhalt (das Produkt und das mitgelieferte Zubehör) durch den Versand beschädigt zu sein scheinen oder Anzeichen einer unsachgemäßen Handhabung aufweisen, benachrichtigen Sie unverzüglich den Spediteur oder Händler/Verkäufer. Bewahren Sie außerdem den Karton und den Inhalt zur Kontrolle auf.

1.3 Symbole

Symbol	Meaning
	Achtung Kritische Installations-, Konfigurations- oder Betriebsinformationen. Die Nichtbeachtung dieser Anweisungen kann dazu führen, dass das Produkt nicht funktioniert, das Produkt beschädigt oder der Bediener verletzt wird.
	Wichtig Wichtige Installations- oder Konfigurationsinformationen. Die Nichtbeachtung dieser Informationen kann dazu führen, dass das Produkt nicht ordnungsgemäß funktioniert.
	Information Nützliche Information

1.4 Haftungsausschuss

Die in diesem Benutzerhandbuch enthaltenen Informationen und Spezifikationen können ohne Vorankündigung geändert werden. DJPOWER übernimmt keine Verantwortung oder Haftung für Fehler oder Vollständigkeit und behält sich das Recht vor, dieses Handbuch jederzeit zu überarbeiten oder zu erstellen. Copyright © 2018 DJPOWER. All rights reserved.

1.5 Sicherheitshinweise

Bitte lesen Sie die folgenden Sicherheitshinweise sorgfältig durch, bevor Sie mit dem Produkt arbeiten. Die Hinweise enthalten wichtige Sicherheitsinformationen zur Installation, Verwendung und Wartung.

1.5.1 Persönliche Sicherheit

- Schließen Sie das Produkt immer an einen geerdeten Stromkreis an, um die Gefahr eines Stromschlags zu vermeiden.
- Stellen Sie sicher, dass Kinder, unbefugte Personen und Tiere keinen Zugang zur Maschine erhalten.

1.5.2 Mounting and Rigging

- Dieses Produkt ist für die Verwendung im Innenbereich gedacht. Nicht in Nassen oder feuchten Umgebungen verwenden
- VORSICHT: Wenn das Produkt aus Umgebungen mit extremen Temperaturen transportiert wird (z. B. von einem kalten Lastwagen in einen warmen, feuchten Ballsaal), kann sich auf der internen Elektronik des Produkts Kondenswasser bilden. Um einen Ausfall zu vermeiden, warten Sie, bis sich das Produkt vollständig an die Umgebung akklimatisiert hat, bevor Sie es an die Stromversorgung anschließen.
- Montieren Sie das Produkt nicht auf einer brennbaren Oberfläche (Linoleum, Teppich, Holz, Papier, Karton, Kunststoff usw.).
- Nicht in geschlossenen Räumen verwenden. Installieren Sie das Produkt immer an einem Ort mit ausreichender Belüftung, mindestens 50 cm (20 Zoll) von angrenzenden Oberflächen entfernt.
- Stellen Sie sicher, dass keine Lüftungsschlitze am Gehäuse des Produkts blockiert
- Wenn Sie das Produkt fliegen nutzen Sie bitte ein Sicherheitsseil um das Gerät doppelt zu sichern.

1.5.3 Leistung und Anschluss

- Stellen Sie immer sicher, dass die Spannung der Steckdose, an die Sie das Produkt anschließen, innerhalb des Bereichs liegt, der auf dem Aufkleber oder der Rückseite des Produkts angegeben ist.
- Stellen Sie sicher, dass das Netzkabel nicht geknickt oder beschädigt ist.
- Schließen Sie dieses Produkt niemals an ein Dimmerpack oder ähnliches an.
- Trennen Sie das Produkt niemals vom Netzkabel, indem Sie den Stecker am Gerät oder am Kabel ziehen.
- Um unnötigen Verschleiß zu vermeiden und die Lebensdauer zu verlängern, trennen Sie das Produkt in Zeiten der Nichtbenutzung vollständig von der Stromversorgung über einen Trennschalter oder durch Ziehen des Netzsteckers.

1.5.4 Bedienung

- Betreiben Sie dieses Produkt nicht, wenn Sie Schäden am Gehäuse oder an den Kabeln sehen. Lassen Sie die beschädigten Teile sofort von einem autorisierten Techniker ersetzen.
- Stellen Sie sicher, dass sich keine brennbaren Materialien in der Nähe dieses Produkts befinden, während es in Betrieb ist.
- Verdecken oder verschließen Sie die Düse während des Betriebs nicht.
- Verwenden Sie das Produkt nicht als Raumheizung.
- Tragen Sie das Produkt niemals am Netzkabel oder an beweglichen Teilen. Verwenden Sie immer die Griffe.
- Entleeren Sie den Tank, bevor Sie das Produkt transportieren.
- Die maximale Umgebungstemperatur (Ta) beträgt 40 °C (104 °F). Betreiben Sie das Produkt nicht bei höheren Temperaturen.
- Trennen Sie das Produkt vor der Reinigung immer von der Stromquelle.
- Dieses Produkt enthält keine vom Benutzer zu wartenden Teile. Alle Maßnahmen zur Wartung in diesem Benutzerhandbuch gelten nur für ordnungsgemäß ausgebildete, zertifizierte Techniker. Öffnen Sie nicht das Gehäuse und versuchen Sie keine Reparaturen, die zu Schäden oder Fehlfunktionen führen können.
- Stellen Sie im Falle eines schwerwiegenden Betriebsproblems die Verwendung des Produkts sofort ein.
- Verwenden Sie nur DJPOWER Nebelfluid PRO-PW/PRO-C



Bewahren Sie dieses Benutzerhandbuch für die zukünftige Verwendung auf. Wenn Sie das Produkt verkaufen, stellen Sie sicher, dass der Käufer dieses Dokument erhält.

2 EINFÜHRUNG

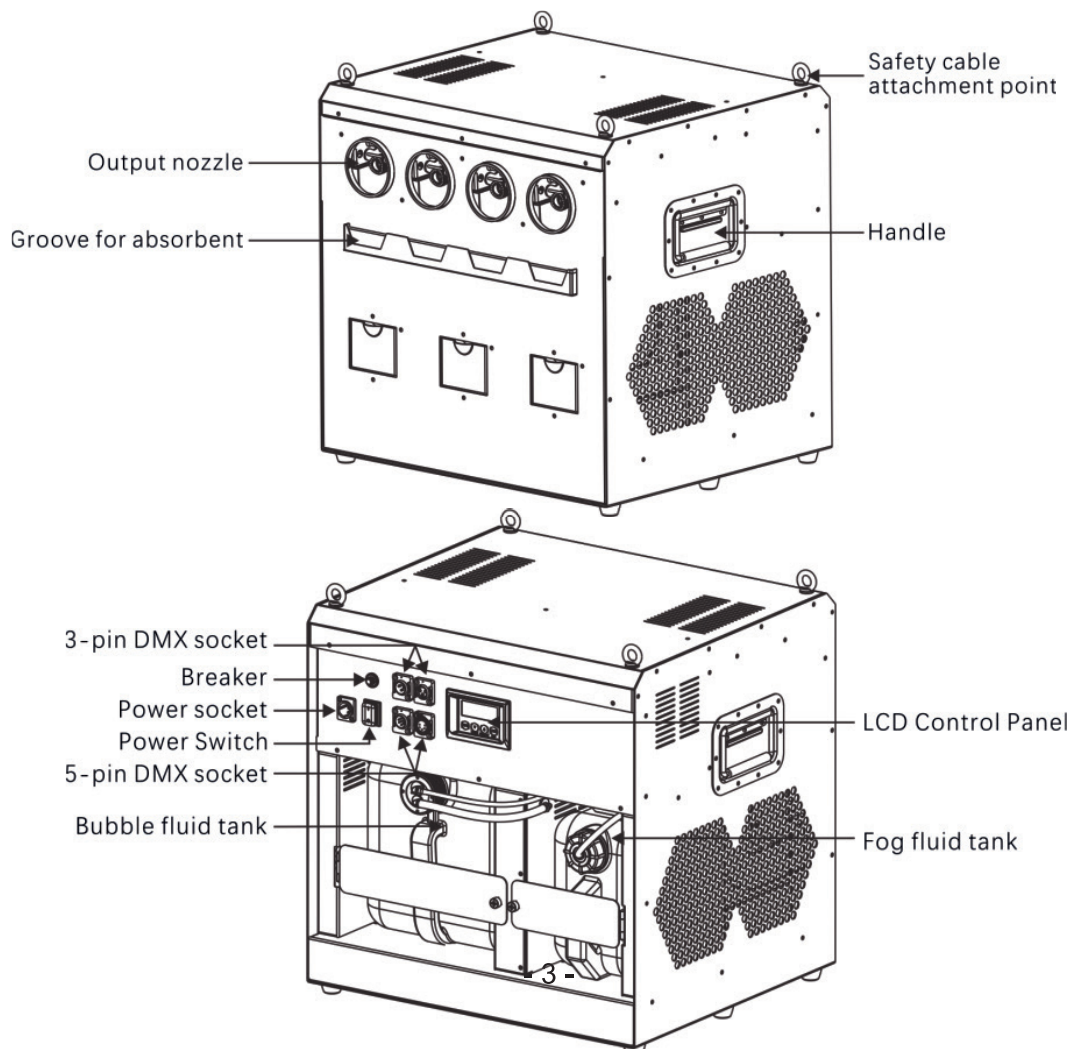
2.1 Beschreibung

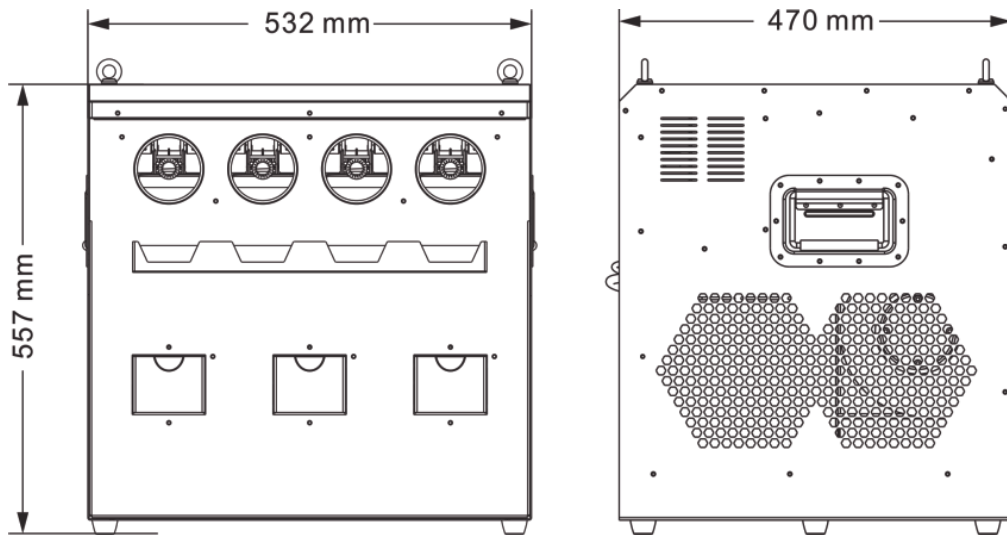
TOPCAT WP-4 ist eine neu eingeführte professionelle Bubble-Nebelmaschine für große Bühnen und Veranstaltungshallen. Das 4-Düsen-Design kann dazu beitragen, eine große Menge an Blasen mit darin gefülltem Nebel zu erzeugen. Das innovative patentierte Jet-Design sorgt dafür, dass Nebel in Blasen eingeschlossen wird und verhindert, dass sich zu viel Nebel in der Luft verteilt. Höhe und Abstand des Blasennebels lassen sich durch Veränderung des Luftaustrittswinkels einstellen. Bubble Fluid wird gut gelagert und im Tank versiegelt, ohne auch nach langer Zeit schlecht zu werden, um eine qualitativ hochwertige Show zu gewährleisten.

2.2 Eigenschaften

- Innovatives Jet-Design, erzeugt eine riesige Menge an nebelgefüllter Seifenblasen;
- Gut durchdachtes Heizsystem gibt den Nebel gleichmäßig und rein ab, kein Abtropfen von Flüssigkeit;
- Drei Ventilatoren mit einstellbaren Winkeln lassen die Nebelblase höher und weiter fliegen;
- Eingebaute LCD-Steuerung, 3-polige und 5-polige DMX-Steuerung, einfach zu bedienen;
- Große Flüssigkeitstanks, lange Laufzeit bei voller Leistung;
- Bitte verwenden Sie DJPOWER Spezial Bubble Fluid PRO-PW und Nebelfluid PRO-C.

Hinweis: Der tatsächliche Effekt kann durch die Nutzungsumgebung beeinflusst werden. Product Overview





3 TECHNISCHE SPEZIFIKATIONEN

Leistung	Eingangsspannung	AC 220-240 V, 50/60 Hz ; AC 110-120 V, 50/60 Hz
	Sicherungsart	Breaker
	Sicherungsspezifikationen	8 A, 250 V
	Gesamte Lastaufnahme	1,600 W
Aufheizen	Aufheizzeit	Ca. 3.5 min
Volumen	Seifenblasenfluid Tankvolumen	9 L
	Nebelfluid Tankvolumen	5 L
Ausstoß	Anpassbarer Ausstoß	√
	Max Nebelausstoß	Ca. 6,000 cuft/min
	Max Ausstoßhöhe	Ca . 10 m
	Max Ausstoßweite	Ca . 10 m
	Nebelfluidverbrauch (100% Output)	Ca . 90.9 min/L
	Seifenblasenfluidverbrauch (100% Output)	Ca . 12.5 min/L
	Passende Fluidsorten	PRO-PW , PRO-C und PRO-J
Anbringung	Horizontal	√
	Geneigt	×
	Liegend	×
	Überkopf	×
	Rigging & Trussing	√
Bedienung	Manuelle Bedienung am Gerät	LCD control board
	Fernbedienung	×
	Kabelfernbedienung	×

	Steuerprotokoll	DMX512
	DMX Kanäle	4
Verbrauchsmaterial	Passende Fluide	PRO-PW & PRO-C & PRO-J
Gewicht und Maße	Netto Gewicht	40 kg
	Brutto Gewicht	45.5 kg
	Maße Gerät	532 × 470 × 557 mm
	Maße Verpackung	730 × 590 × 640 mm

4 INBETRIEBNAHME

4.1 Stromzufuhr

Die Maschine verfügt über zwei Arten der Spannungsversorgung, sie kann je nach Modell mit einer Eingangsspannung von AC 110 V-120 V, 50/60 Hz oder AC 220 V-240 V, 50/60 Hz arbeiten.

Um den Strombedarf des Produkts (Schutzschalter, Steckdose und Verkabelung) zu bestimmen, verwenden Sie den Stromwert, der auf dem Etikett auf der Rückseite des Produkts angegeben ist, oder sehen Sie in der Spezifikationstabelle des Produkts nach. Die aufgeführte Nennstromstärke gibt die durchschnittliche Stromaufnahme des Produkts unter normalen Bedingungen an.



Schließen Sie das Produkt immer an einen geschützten Stromkreis (Leistungsschalter oder Sicherung) an. Stellen Sie sicher, dass das Produkt über eine geeignete elektrische Erdung verfügt, um die Gefahr eines Stromschlags oder Feuers zu vermeiden.



Schließen Sie das Produkt niemals an einen Rheostat (variabler Widerstand) oder einen Dimmerkreis an, selbst wenn der Rheostat oder der Dimmerkanal nur als 0- bis 100%-Schalter dient.

4.2 Stromanschluss

Der WP-4 Supper Bubble Fogger wird mit einem Stromeingangskabel geliefert, das an einem Ende mit einem abschließbaren Stromanschluss abgeschlossen ist. Das andere Ende ist ein EU Stecker.

Wenn das mit Ihrem Produkt gelieferte Netzkabel keinen Stecker hat oder Sie den Stecker austauschen müssen, verwenden Sie die folgende Tabelle, um den neuen Stecker anzuschließen:

Leitung	Kabel
Phase	Braun
Neutral	Blau
Erdung	Grün

4.3 Sicherung zurücksetzen

- Das Gerät ist mit einer rücksetzbaren Sicherung ausgestattet. Wenn die Sicherung auslöst, wird das Gerät von der Stromversorgung getrennt.
- Trennen Sie die Maschine vom Strom.
- Warten Sie etwa 15 Minuten, bis das Gerät abgekühlt ist.
- Drücken Sie danach manuell die Taste der Sicherung, um Sie zurückzusetzen.
- Schließen Sie das Gerät wieder an das Stromnetz an und verwenden Sie es wie gewohnt weiter.

4.4 DMX Verbindung

Sie können die WP-4 über eine 3- oder 5-polige DMX-Verbindung mit einem DMX-Controller verbinden. Wenn Sie andere DMX-kompatible Produkte mit diesem Produkt verwenden, können Sie jedes einzeln mit einem einzigen DMX-Controller steuern. Anweisungen zum Anschließen und Konfigurieren dieses Produkts für den DMX-Betrieb finden Sie im Benutzerhandbuch.

4.5 Installation

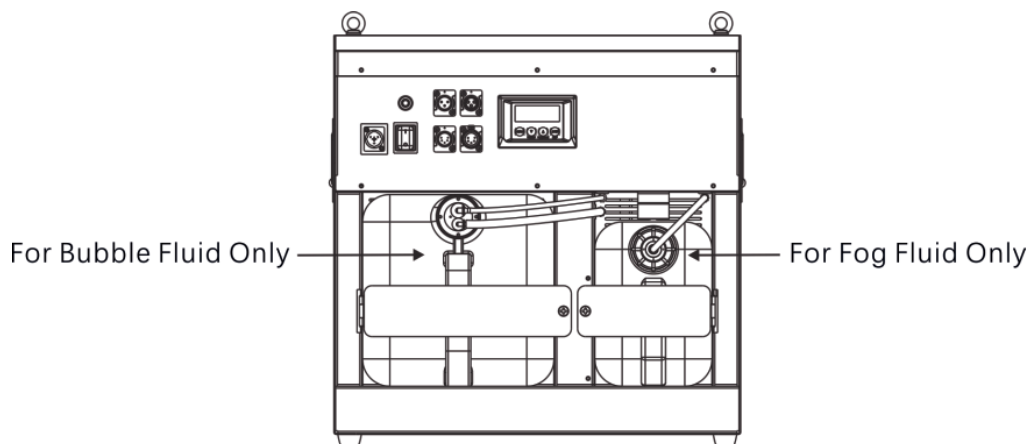
Lesen und befolgen Sie vor der Montage des Produkts die Sicherheitshinweise in den Sicherheitshinweisen.

4.5.1 Orientierung

Stellen Sie aus Sicherheitsgründen sicher, dass das Gerät gut durch die Halterung montiert und mit Sicherheitskabel gesichert ist. Stellen Sie außerdem sicher, dass ausreichend Platz für Belüftung, Konfiguration und Wartung vorhanden ist.



Nicht Seifenblasfluid mit Nebelfluid mischen.



4.5.2 Rigging

Beachten Sie bei der Montage dieses Produkts die folgenden allgemeinen Richtlinien:

- Bevor Sie sich für einen Standort für das Produkt entscheiden, vergewissern Sie sich, dass das Produkt für Wartungs- und Programmierzwecke leicht zugänglich ist.
- Stellen Sie sicher, dass die Struktur oder Oberfläche, auf der Sie das Produkt montieren, das Gewicht des Produkts tragen kann (siehe Technische Daten).
- Stellen Sie bei der Montage des Produkts auf dem Boden sicher, dass sich das Produkt und die Kabel nicht in der Nähe von Personen und Gegenständen befinden.

5 BETRIEB

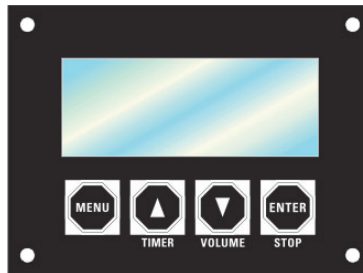
5.1 Vorbereitung für den Betrieb

- Nachdem Sie überprüft haben, dass alle Teile intakt und vollständig sind, stellen Sie die Maschine flach auf.
- Ziehen Sie den Flüssigkeitsbehälter aus seinem Fach und entfernen Sie seinen Deckel. Füllen Sie Seifenblasen- und Nebelfluid in den angegebenen Tank.
- Vergewissern Sie sich, dass die an der Kappe befestigten Kunststoffschläuche richtig sitzen und in gutem Zustand sind, ohne sich zu verbiegen oder zu verziehen.
- Schließen Sie das Produkt immer an einen geerdeten Stromkreis an. Stellen Sie vor dem Einschalten sicher, dass es mit der Nennspannung verbunden ist.

- Schalten Sie das Gerät ein und während des Aufheizvorgangs wird „Warming up“ auf dem Display angezeigt. Nach ca. 3 Minuten wechselt die Anzeige auf „Arbeitsbereit“, wenn die Maschine fertig aufgeheizt ist.

5.2 Bedienung am Gerät und Betrieb

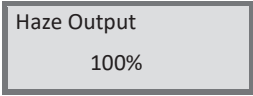
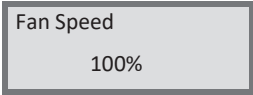
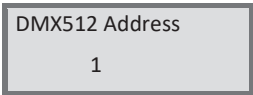
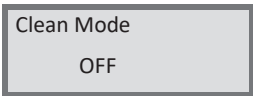
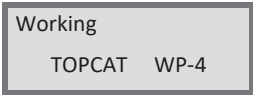
Um auf die Funktionen des Bedienfelds zuzugreifen, verwenden Sie die vier Tasten unter dem LCD-Display.



Knopf	Funktion
<MENU>	Menüseiten wechseln, um eine Funktion auszuwählen
▲ <TIMER>	Wert der aktuellen Funktion erhöhen TIMER Ausstoß Modus auslösen
▼ <VOLUME>	Wert der aktuellen Funktion verringern Manuellen Ausstoß auslösen
<ENTER> <STOP>	Einstellungen speichern STOP hält den Ausstoß an

5.2.1 Menü

	Display	Beschreibung	Parameter
Standby page	Warming Up >>>>>>>>>>	Das Gerät heizt auf.	
	Ready To Work TOPCAT WP-4	Nach etwa 3 Minuten Aufheizen wird diese Seite angezeigt. Das bedeutet, dass das Nebelsystem das Aufheizen beendet hat und das Gerät bereit ist.	
Einstellungsseiten	Interval Set 10S	Drücke ▲ und ▼ um das Intervall des TIMER Modus festzulegen	5-200s
	Duration Set 10S	Drücke ▲ und ▼ um das Dauer des TIMER Modus festzulegen	5-200s
	Bubble Output ON	Drücke ▲ und ▼ um das Seifenblasen Intervall des TIMER Modus festzulegen	ON/OFF

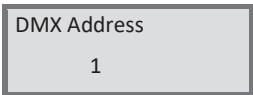



		Drücke ▲ und ▼ um den Nebelausstoß festzulegen	1%-100%/OFF
		Drücke ▲ und ▼ um den Lüftergeschwindigkeit festzulegen	1%-100%/OFF
		Drücke ▲ und ▼ um die DMX Startadresse festzulegen	1 - 512
		Drücke ▲ und ▼ um den Reinigungsmodus an-/auszuschalten (Wenn der Reinigungsmodus eingeschaltet ist, werden alle anderen Funktionen außer Kraft gesetzt. Die Standardreinigungszeit beträgt 1 Minute, ohne dass der Modus manuell ausgeschaltet wird.)	ON/OFF
Status Anzeige		Diese Nachricht wird angezeigt wenn das Gerät in Betrieb ist.	

5.3 DMX Modus und Betrieb

WP-4 Super Bubble Fogger arbeitet mit einem DMX-Controller.

- Schließen Sie das Produkt an eine geeignete Steckdose an.
- Schalten Sie das Produkt ein.
- Verbinden Sie ein DMX-Kabel vom DMX-Ausgang des DMX-Controllers mit der DMX-Eingangsbuchse am Produkt.

5.3.1 DMX Seiten

		Drücke “▲” oder “▼” um die DMX Adresse festzulegen	1 - 512
Standby und Einstellung		Bei der Einstellung der DMX-Startadresse muss die Anzahl der vom DMX-Modus belegten Kanäle berücksichtigt werden. Wenn die Startadresse zu hoch ist, werden einige Kanäle möglicherweise nicht angesteuert.	
		Im DMX-Modus reagiert jedes Gerät auf die Steuerung des DMX-Controllers durch seine eigene eindeutige Startadresse. Maschinen mit gleicher Startadresse werden entsprechend synchronisiert.	
		Wenn es mit einem DMX-Controller verbunden ist und ein DMX-Signal empfängt, zeigt das LCD-Display immer die aktuelle DMX-Startadresse, die durch Drücken von „▲“ oder „▼“ zurückgesetzt werden kann.	

5.3.2 DMX Kanalbelegung

Der WP-4 Super Bubble Fogger verfügt über 4 DMX-Kanäle und kann über 3-polige oder 5-polige DMX-Buchsen angeschlossen werden. Stellen Sie die DMX-Startadresse im Bereich von 001-512 ein, Sie können 512 Geräte unabhängig voneinander mit einem DMX-Kanal steuern.

Channel	Funktion	Wert	Beschreibung
1	Seifenblasenausstoß	0-10	OFF
		11-255	ON
2	Nebelausstoß	0-10	OFF
		11-255	Nebelvolumen, niedrig-hoch
3	Lüftergeschwindigkeit	0-10	OFF
		11-255	Lüftergeschwindigkeit, niedrig-hoch
4	Seifenblasen-Reinigung	0-10	OFF
		11-255	Wenn der Modus auf ON steht, werden die anderen Funktionen überschrieben.

6 TECHNICAL INFORMATION

6.1 Maintenance

Lassen Sie das WP-4 nicht durch die klebrige Blasenflüssigkeit verstopfen. Reinigung und Wartung sind notwendig.

Das empfohlene Reinigungsverfahren ist wie folgt.

- 1) Trennen Sie das Produkt von der Stromversorgung.
- 2) Blasenflüssigkeit aus der Maschine entleeren.
- 3) Füllen Sie Wasser in den Blasenflüssigkeitstank.
- 4) Schließen Sie das Produkt an die Stromversorgung an und lassen Sie es aufwärmen. Führen Sie den Reinigungsmodus über das Menü oder DMX aus. Spülen Sie den Bubble-Flüssigkeitsbehälter und den Flüssigkeitsschlauch gründlich aus.
- 5) Lassen Sie das Produkt in einem gut belüfteten Bereich laufen. Lassen Sie die Pumpe nicht trocken laufen.
- 6) Übermäßiger Staub, Flüssigkeitsrückstände und Schmutz beeinträchtigen die Leistung und führen zu Überhitzung. Entfernen Sie Staub von den Lüftungsöffnungen mit einem Luftkompressor, Staubsauger oder einer weichen Bürste. Das Gehäuse konnte mit dem feuchten Tuch gereinigt werden.
- 7) Bringen Sie die Schläuche und die Kappe wieder an. Bewahren Sie das Gerät bis zur nächsten Verwendung auf.

Hinweis: Die Standardreinigungszeit beträgt 1 Minute. Ohne den Reinigungsmodus manuell auszuschalten, schaltet er sich automatisch nach 1 Minute ab.



Testen Sie Ihren TOPCAT® WP-4 monatlich, um die beste Leistung zu erzielen.

6.2 Lagern

Reinigen Sie die Maschine vor der Lagerung und entleeren Sie den Flüssigkeitsbehälter.

1 AVANT DE COMMENCER

1.1 contenu de la livraison




- Super brumisateur à bulles WP-4 × 1
- Cordon d'alimentation × 1
- Carte de garantie × 1

Accessoires optionnels : Flight-case

1.2 déballage

Déballer immédiatement le produit avec soin et inspectez le conteneur pour vous assurer que toutes les pièces sont dans l'emballage et en bon état. Si la boîte ou le contenu (le produit et les accessoires inclus) semblent être endommagés pendant le transport ou présentent des signes de mauvaise manipulation, informez-en immédiatement le transporteur ou le revendeur/vendeur. Conservez également la boîte et son contenu pour inspection.

1.3 Symboles

symbole	Signification
	Danger Critique Informations d'installation, de configuration ou de fonctionnement. Le non-respect de ces instructions pourrait entraîner un dysfonctionnement du produit, des dommages au produit ou des blessures à l'opérateur.
	Important Informations importantes sur l'installation ou la configuration. Le non-respect de ces informations peut entraîner un dysfonctionnement du produit.
	information Informations utiles

1.4 Clause de non-responsabilité

Les informations et spécifications contenues dans ce manuel d'utilisation sont susceptibles d'être modifiées sans préavis. DJPOWER n'assume aucune responsabilité pour les erreurs ou l'exhaustivité et se réserve le droit de réviser ou de modifier ce manuel à tout moment.

Droits d'auteur © 2018 DJPOWER. Tous droits réservés.

1,5 consignes de sécurité

Veuillez lire attentivement les instructions de sécurité suivantes avant de travailler avec le produit. Les avis contiennent des informations de sécurité importantes concernant l'installation, l'utilisation et l'entretien.

1.5.1 Sécurité personnelle

- Connectez toujours le produit à un circuit mis à la terre pour éviter tout risque de choc électrique.
- Assurez-vous que les enfants, les personnes non autorisées et les animaux n'ont pas accès à la machine.

1.5.2 Montage et gréement

- Ce produit est destiné à un usage intérieur. Ne pas utiliser dans des environnements mouillés ou humides
- ATTENTION : Si le produit est transporté depuis des environnements soumis à des températures extrêmes (par exemple, d'un camion froid à une salle de bal chaude et humide), de la condensation peut se former sur les composants électroniques internes du produit. Pour éviter toute panne, laissez le produit s'acclimater complètement à l'environnement avant de le connecter à l'alimentation.
- Ne montez pas le produit sur une surface inflammable (linoléum, tapis, bois, papier, carton, plastique, etc.).
- Ne pas utiliser à l'intérieur. Installez toujours le produit dans un endroit bien ventilé, à au moins 50 cm (20 pouces) des surfaces adjacentes.
- Assurez-vous qu'aucune fente de ventilation sur le boîtier du produit n'est obstruée
- Lorsque vous faites voler le produit, veuillez utiliser une corde de sécurité pour sécuriser l'appareil.

1.5.3 Performances et connexion

- Assurez-vous toujours que la tension de la prise à laquelle vous connectez le produit se situe dans la plage spécifiée sur l'étiquette ou à l'arrière du produit.
- Assurez-vous que le cordon d'alimentation n'est pas plié ou endommagé.
- Ne connectez jamais ce produit à un variateur ou similaire.
- Ne débranchez jamais le produit du cordon d'alimentation en tirant sur la fiche de l'appareil ou du cordon.
- Pour éviter une usure inutile et prolonger la durée de vie du produit, débranchez le produit lorsqu'il n'est pas utilisé. débranchez complètement l'alimentation électrique via un disjoncteur ou en débranchant le cordon d'alimentation.

1.5.4 service

- N'utilisez pas ce produit si vous constatez des dommages au boîtier ou aux câbles. Laissez les pièces endommagées Remplacez-le immédiatement par un technicien agréé.
- Assurez-vous qu'il n'y a aucun matériau inflammable à proximité de ce produit pendant son utilisation.
- Ne couvrez pas et ne fermez pas la buse pendant le fonctionnement.
- N'utilisez pas le produit comme appareil de chauffage.
- Ne transportez jamais le produit par le cordon d'alimentation ou les pièces mobiles. Utilisez toujours les poignées.
- Videz le réservoir avant de transporter le produit.
- La température ambiante maximale (Ta) est de 40°C (104°F). N'utilisez pas le produit à des températures plus élevées.
- Débranchez toujours le produit de la source d'alimentation avant de le nettoyer.
- Ce produit ne contient aucune pièce réparable par l'utilisateur. Toutes les procédures de maintenance décrites dans ce manuel d'utilisation sont réservées à des techniciens correctement formés et certifiés. N'ouvrez pas le boîtier et ne tentez aucune réparation, ce qui peut entraîner des dommages ou un dysfonctionnement.
- En cas de problème de fonctionnement grave, arrêtez immédiatement d'utiliser le produit.
- Utilisez uniquement le liquide à brouillard DJPOWER PRO-PW/PRO-C.



Conservez ce manuel d'utilisation pour une utilisation future. Si vous vendez le produit, assurez-vous que l'acheteur reçoive ce document.

2 INTRODUCTION

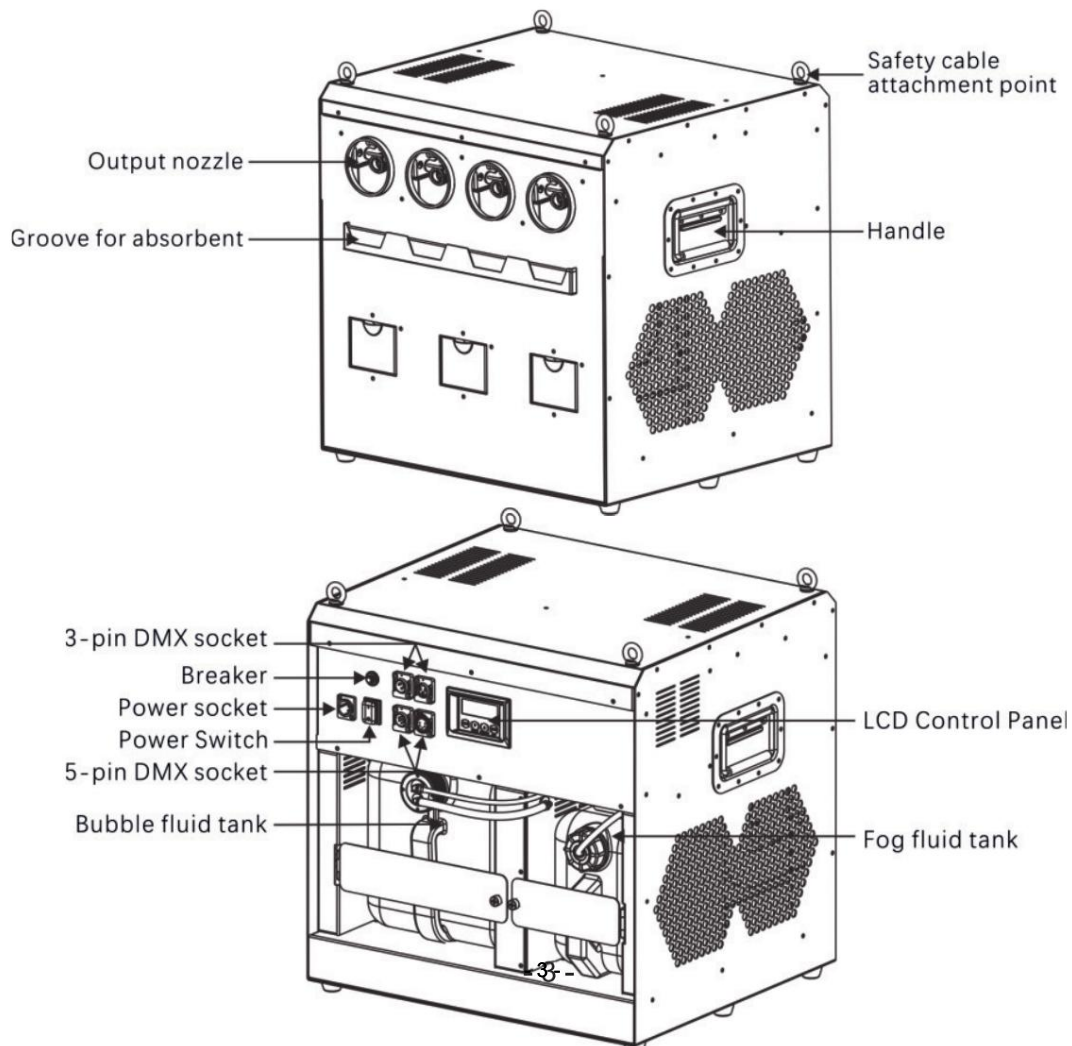
2.1 Description

TOPCAT WP-4 est une nouvelle machine à brouillard à bulles professionnelle pour les grandes scènes et les salles d'événements. La conception à 4 buses peut aider à créer une grande quantité de bulles remplies de brume. La conception innovante et brevetée du jet garantit que la brume est emprisonnée dans des bulles et empêche une trop grande quantité de brume de se disperser dans l'air. La hauteur et la distance du brouillard de bulles peuvent être ajustées en modifiant l'angle de sortie d'air. Bubble Fluid est bien stocké et scellé dans le réservoir sans se détériorer même après une longue période pour garantir un spectacle de haute qualité.

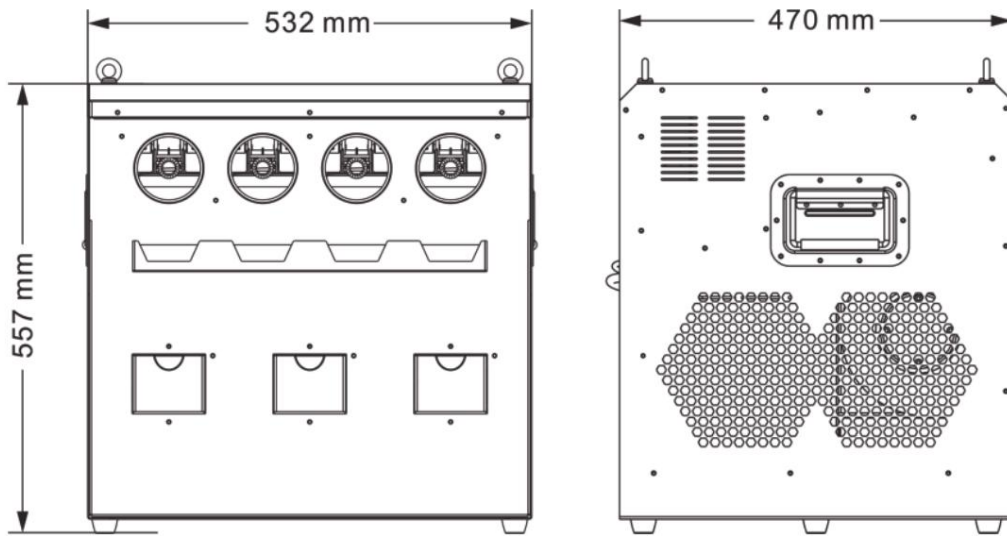
2.2 Caractéristiques

- Conception de jet innovante, crée une énorme quantité de bulles remplies de brume ;
- Un système de chauffage bien conçu libère le brouillard uniformément et purement, sans égouttement de liquide ;
- Trois ventilateurs à angles réglables font voler la bulle de brume plus haut et plus loin ;
- Contrôle LCD intégré, contrôle DMX à 3 et 5 broches, facile à utiliser ;
- Grands réservoirs de liquide, longue autonomie à pleine puissance ;
- Veuillez utiliser le DJPOWER Special Bubble Fluid PRO-PW et le Fog Fluid PRO-C.

Remarque : l'effet réel peut être affecté par l'environnement d'utilisation. Présentation du produit



2.3 Dimensions du produit



3 SPÉCIFICATIONS TECHNIQUES

Performance	Tension d'entrée	CA 220-240 V, 50/60 Hz ; CA 110-120 V, 50/60 Hz
	Type de sauvegarde	Disjoncteurs
	Spécifications des fusibles	8A, 250V
	Capacité de charge totale	1 600 W
Réchauffer	Temps de chauffage	Environ 3,5 minutes
volume	Volume du réservoir de liquide à bulles de savon	9L
	Volume du réservoir de liquide à brouillard	5L
Émission	Sortie réglable	√
	Sortie maximale de brouillard	Environ 6 000 pieds cubes/min
	Hauteur de décharge maximale	Environ. 10 m
	Distance de sortie maximale	Environ. 10 m
	Consommation de liquide de brouillard (sortie 100 %)	Environ. 90,9 minutes/L
	Consommation de liquide à bulles (sortie 100 %)	Environ. 12,5 minutes/L
	Types de fluides appropriés	PRO-PW , PRO-C et PRO-J
Pièce jointe	Horizontal	√
	Incliné	x
	Allongé	x
	Au-dessus de la tête	x
	Grément et treillis	√
service	Commande manuelle sur l'appareil	Tableau de commande LCD
	télécommande	x
	Télécommande par câble	x

	Protocole fiscal	DMX512
	Canaux DMX	4
Consommables	Fluides adaptés	PRO-PW & PRO-C & PRO-J
Poids et dimensions	Poids net	40 kg
	Poids brut	45,5kg
	Dimensions de l'appareil	532 × 470 × 557mm
	Dimensions de l'emballage	730 × 590 × 640 mm

4 DÉMARRAGE

4.1 Source de courant

La machine dispose de deux types d'alimentation, elle peut fonctionner avec une tension d'entrée de AC 110V-120V, 50/60 Hz ou AC 220V-240V, 50/60 Hz selon le modèle.

Pour déterminer les besoins électriques du produit (disjoncteur, prise et câblage), utilisez la valeur actuelle indiquée sur l'étiquette au dos du produit ou reportez-vous au tableau des spécifications du produit. Le courant nominal indiqué indique la consommation de courant moyenne du produit dans des conditions normales.



Connectez toujours le produit à un circuit protégé (disjoncteur ou fusible). Assurez-vous que le produit dispose d'une mise à la terre électrique appropriée pour éviter tout risque de choc électrique ou d'incendie.



Ne connectez jamais le produit à un rhéostat (résistance variable) ou à un circuit variateur, même si le canal du rhéostat ou du variateur ne sert que de commutateur de 0 à 100 %.

4.2 Connexion électrique

Le WP-4 Supper Bubble Fogger est livré avec un câble d'entrée d'alimentation terminé à une extrémité par un connecteur d'alimentation verrouillable. L'autre extrémité est une prise européenne.

Si le cordon d'alimentation fourni avec votre produit n'a pas de fiche ou si vous devez remplacer la fiche, utilisez le tableau suivant pour connecter la nouvelle fiche :

Doubler	Câble
phase	Brun
Neutre	Bleu
Mise à la terre	Vert

4.3 Réinitialiser la sauvegarde

- L'appareil est équipé d'un fusible réarmable. Si le fusible saute, l'appareil sera déconnecté de l'alimentation électrique.
- Débranchez la machine du secteur.
- Attendez environ 15 minutes pour que l'appareil refroidisse.
- Appuyez ensuite manuellement sur le bouton du fusible pour le réinitialiser.
- Rebranchez l'appareil à l'alimentation électrique et continuez à l'utiliser comme d'habitude.

4.4 Connexion DMX

Vous pouvez connecter le WP-4 à un contrôleur DMX via une connexion DMX à 3 ou 5 broches. Si vous utilisez d'autres produits compatibles DMX avec ce produit, vous pouvez contrôler chacun d'entre eux individuellement avec un seul contrôleur DMX. Veuillez vous référer au manuel d'utilisation pour obtenir des instructions sur la connexion et la configuration de ce produit pour un fonctionnement DMX.

4.5 installation

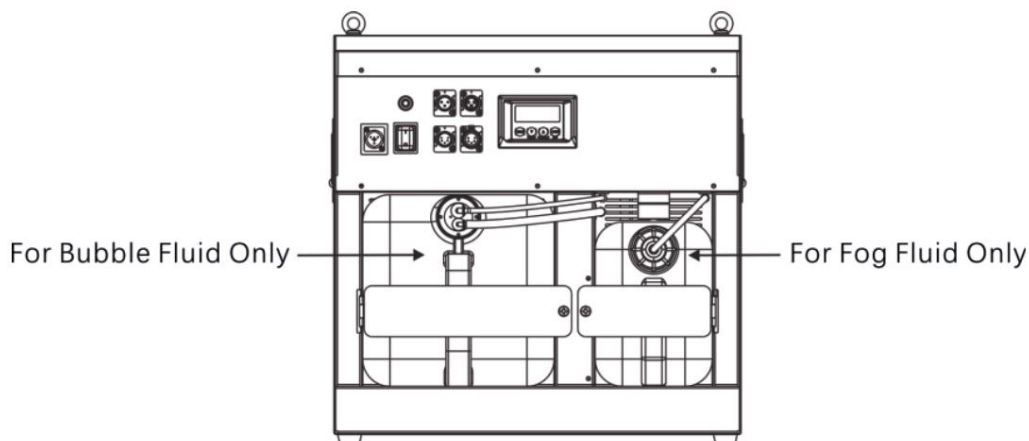
Avant d'assembler le produit, lisez et suivez les instructions de sécurité contenues dans les instructions de sécurité.

4.5.1 orientation

Pour des raisons de sécurité, assurez-vous que l'appareil est bien monté à travers le support et sécurisé avec un câble de sécurité. Assurez-vous également qu'il y a suffisamment d'espace pour la ventilation, la configuration et la maintenance.



Ne mélangez pas le liquide à bulles avec le liquide à fumée.



4.5.2 Gréement

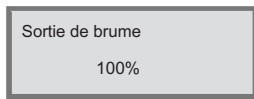
Lors de l'assemblage de ce produit, respectez les directives générales suivantes :

- Avant de décider de l'emplacement du produit, assurez-vous que le produit est facilement accessible à des fins de maintenance et de programmation.
- Assurez-vous que la structure ou la surface sur laquelle vous montez le produit peut supporter le poids du produit (voir Spécifications).
- Lors du montage du produit au sol, assurez-vous que le produit et les câbles sont éloignés des personnes et des objets.

5 FONCTIONNEMENT

5.1 Préparation à l'opération

- Après avoir vérifié que toutes les pièces sont intactes et complètes, placez la machine à plat.
- Sortez le récipient à liquide de son compartiment et retirez son couvercle. Ajoutez du liquide à bulles et à brouillard dans le réservoir indiqué.
- Assurez-vous que le tube en plastique fixé au capuchon est correctement mis en place et en bon état, sans se plier ni se déformer.
- Connectez toujours le produit à un circuit mis à la terre. Avant de l'allumer, assurez-vous qu'il est connecté à la tension nominale.



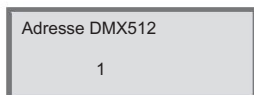
Appuyez sur ▲ et ▼ pour régler la sortie de brume

1%-100%/réduction



Appuyez sur ▲ et ▼ pour régler la vitesse du ventilateur

1%-100%/réduction



Appuyez sur ▲ et ▼ pour définir l'adresse de démarrage DMX

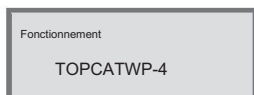
1 - 512



Appuyez sur ▲ et ▼ pour activer/désactiver le mode nettoyage.
(Lorsque le mode de nettoyage est activé, toutes les autres fonctions sont annulées. Le temps de nettoyage par défaut est de 1 minute sans désactiver manuellement le mode.)

ALLUMÉ ÉTEINT

statut
Publicité



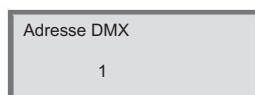
Ce message s'affiche lorsque l'appareil est en fonctionnement.

5.3 Mode et fonctionnement DMX

WP-4 Super Bubble Fogger fonctionne avec un contrôleur DMX.

- Connectez le produit à une prise de courant appropriée.
- Allumez le produit.
- Connectez un câble DMX de la sortie DMX du contrôleur DMX à la prise d'entrée DMX du produit.

5.3.1 Pages DMX



Appuyez sur «▲» ou «▼» pour définir l'adresse DMX

1 - 512

en veille et
Attitude



Lors du réglage de l'adresse de départ DMX, le nombre de canaux occupés par le mode DMX doit être pris en compte. Si l'adresse de départ est trop élevée, certains canaux risquent de ne pas être pilotés.

En mode DMX, chaque appareil répond au contrôle du contrôleur DMX via sa propre adresse de départ unique. Les machines avec la même adresse de départ sont synchronisées en conséquence.



Lorsqu'il est connecté à un contrôleur DMX et reçoit un signal DMX, l'écran LCD affiche l'écran affiche toujours l'adresse de démarrage DMX actuelle, qui peut être réinitialisée en appuyant sur «▲» ou «▼».

5.3.2 Affectation des canaux DMX

Le WP-4 Super Bubble Fogger dispose de 4 canaux DMX et peut être connecté via des prises DMX à 3 ou 5 broches. Définissez l'adresse de démarrage DMX dans la plage 001-512, vous pouvez contrôler 512 appareils indépendamment avec un canal DMX dirigé.

Canal	fonction	Valeur	Description
1	Libération de bulles	0-10	DÉSACTIVÉ
		11-255	SUR
2	Émission de brouillard	0-10	DÉSACTIVÉ
		11-255	Volume de brouillard, faible-élevé
3	Vitesse du ventilateur	0-10	DÉSACTIVÉ
		11-255	Vitesse du ventilateur, faible-élevée
4	Nettoyage des bulles	0-10	DÉSACTIVÉ
		11-255	Lorsque le mode est activé, les autres fonctions sont écrasées.

6 INFORMATIONS TECHNIQUES

6.1 Entretien

Ne laissez pas le liquide à bulles collant obstruer le WP-4. Le nettoyage et l'entretien sont nécessaires.

La procédure de nettoyage recommandée est la suivante.

- 1) Débranchez le produit de l'alimentation électrique.
- 2) Videz le liquide à bulles de la machine.
- 3) Remplissez d'eau dans le réservoir de liquide de la vessie.
- 4) Connectez le produit à l'alimentation électrique et laissez-le chauffer. Exécutez le mode nettoyage via le menu ou DMX. Rincez soigneusement le réservoir de liquide à bulles et le tuyau de liquide.
- 5) Faites fonctionner le produit dans un endroit bien ventilé. Ne laissez pas la pompe fonctionner à sec.
- 6) Une poussière excessive, des résidus de liquide et de la saleté affecteront les performances et provoqueront une surchauffe. Retirez la poussière des bouches d'aération avec un compresseur d'air, un aspirateur ou une brosse douce. Le boîtier peut être nettoyé avec un chiffon humide.
- 7) Réinstallez les tuyaux et le capuchon. Conservez l'appareil jusqu'à la prochaine utilisation.

Remarque : Le temps de nettoyage par défaut est de 1 minute. Sans désactiver manuellement le mode de nettoyage, il s'éteindra automatiquement après 1 minute.



Testez votre TOPCAT® WP-4 mensuellement pour de meilleures performances.

6.2 Ranger

Avant le stockage, nettoyez la machine et videz le réservoir de liquide.



IMPORTER

B&K LUMITEC

ZI – 2 Rue Alfred Kastler – 67850 Herrlisheim – France

www.bklumitec.com