

R-7 confetti machine

Users Manual

Safety Instructions



- This device is only for use in closed rooms (not outdoors).
- The warranty claim expires if the device is modified by the user.
- The device may only be repaired by trained specialists.
- Only use fuses of the same type and only original parts as spare parts.
- To prevent fire and electric shock, protect the device from rain and moisture.

Foreword

Thank you very much of choosing DJPOWER R-7 Five-output Electric Confetti Gun.

Before start operating, we strongly suggest you to read the user manual carefully. Following the instructions here will ensure your safety while operating the machine, easily achieve the best effect, as well as understand the right way to care for and maintain the machine, hence to prolong the product life cycle.

Description

1. Five-output Electric Confetti Gun using compressed air to power the confetti gun, safe and no pollution. LED flashing light in the gun centre are very attractive.
2. Double insurance firing way to ensure the safety of using. The gun has a cool shape and is easy to operate, very suitable for DJs and singers. It can create a warm atmosphere effect, bringing festival auspicious sign for the ceremony and the performance.
3. Install five confetti cannons at the same time and launch them afterwards in turns.
4. Built-in rechargeable battery can control launch without external power supply, which is very convenient.

Features

- The confetti cannons are easy to transport and various colours available, plug and play, safe and convenient
- Built-in polymer lithium-ion battery can be easy to use without external power supply, once fully charged can fire 100 confetti tubes.
- Launch distance: according to the confetti cannons are divided into 5m(40 cm confetti tube), 10m(80 cm confetti tube) Built-in lithium battery enable work without external power source, supports 100 times output once full charged.

Safety use

- 1) Keep the fixture dry. For indoor and outdoor used.
- 2) Use grounded electrical outlet. Prior to use, make sure that unit is installed at the rated voltage.
- 3) Turn off or unplug when not using it.
- 4) This machine is not water-proof. Please keep it away from moisture and water. If moisture, water, or fluid gets inside the housing, stop using it.
- 5) No user serviceable and modifiable parts inside. Do not disassemble the housing and do any modification, otherwise it might cause damage to the unit or danger of burning.
- 6) For adult use only. Fixture must be installed out of the reach of children. Never leave the unit running unattended. Keep it away from fire, combustible and flammable materials.
- 7) Position the machine in well-ventilated area. Please leave about 50cm spaces surrounding the unit.
- 8) Please do not use the fixture under high temperature.
- 9) Please use electronic-control confetti tube from DJ POWER, it will bring you an unexpected effect.
- 10) If something wrong happen while using, please stop the fixture immediately, cut off the power, and check the fuse, power cable and power plug. If problem could not be resolved, please contact with your dealer.

Operating instructions

After the battery is fully charged, put five confetti cannons into the R-7 and connect the gun power cable. Turn on the R-7's power switch; press the insurance button and the trigger button at the same time. R-7 confetti gun will launch in turns and light up the LED light. When the spray finished after 5 minutes, the LED light will automatically goes out.

Charge Description

As the machine standby, the battery will run out slowly. When the battery indicator light flicker and showed one bar of power left, it should be turned off and charging. When charging indicator light is red it stands for charging, green light stand for fully charged.

The LED light instructions

Insurance button, the LED light will light up. Without any operation, LED light will automatically turn off after 5 minutes. Press the LED light colour selection button once again, the LED light colours will become red, yellow, green, blue and cycle. After the LED light on/off switch is pressed again, the LED light will immediately turn off.



Opening the package and inspecting the machine

Please open the package to make sure all the equipment is complete and check if there is any damage in delivery process, if there is damage, contact your dealer immediately.

The following parts should be included when you receive the package:

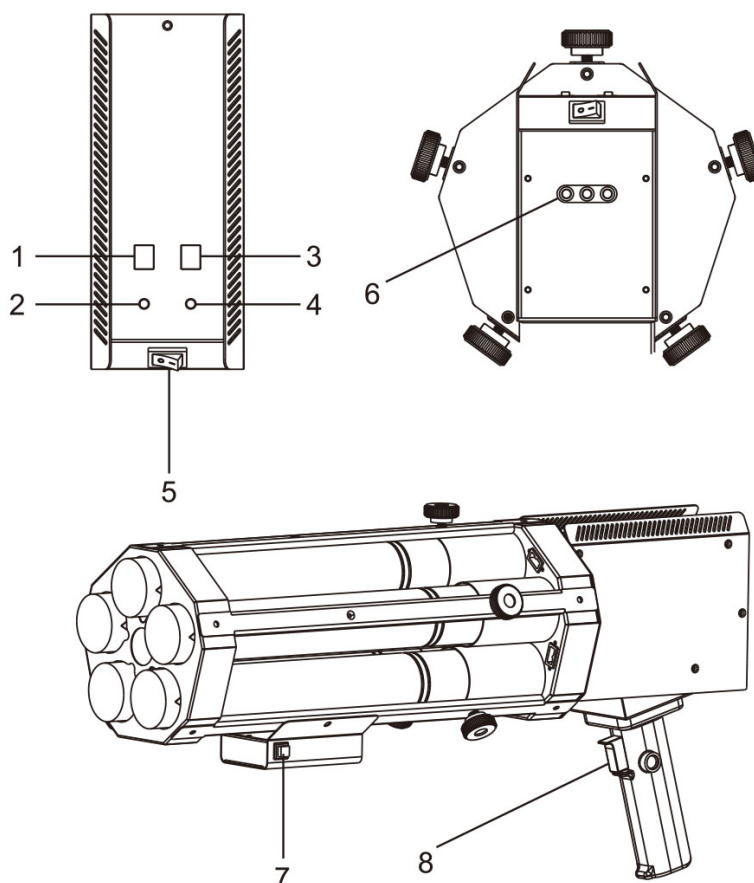
1. R-7 Five-output Electric Confetti Gun x 1
2. 40cm Colour-mixing Electric Confetti Cannon x 5
3. User manual x 1
4. Power cord x 1

Technical Specification

Voltage used:	AC 110 V- 240V 50/60 Hz
Battery capacity:	DC 11.1 V 2,200mAh
Max height (at 90°) :	Appr. 10 m (80 cm confetti cannon); Appr. 5 m (40 cm confetti cannon)
Max distance (at 45°):	Appr.10 m(80 cm confetti cannon); Appr. 5 m(40 cm confetti cannon)
Charging time:	Appr. 5h
LED Power	8W
LED Color	RGBA
LED auto shut down time	Appr. 5 min
LED max. duration	Appr. 180 min
Confetti-spray time	Appr. 100 times
Netto Weight	3 Kg
Gross weight	6.7 Kg
Machine size	610 x 205 x 330 mm
Package size	710 x 415 x 260 mm
Consumables	Confetti

Diagrams

1. Remaining quantity of confetti tube indicator light
2. LED light colour selection
3. Battery charge indicator
4. LED light on/off
5. charging indicator light
6. Insurance button
7. Trigger button





B&K LUMITEC

2 rue Alfred Kastler
Zone Industrielle
67850 Herrlisheim - France

+33 (0) 3.88.96.80.90

+33 (0) 3.88.96.48.46

hello@bklumitec.com

www.bklumitec.com

