



# H-SW3000 FOG MACHINE

Product Code: 119537

# 1 BEFORE YOU BEGIN

## 1.1 What Is Included




- H-SW3000 Machine
- Diversion Hose (Length 3.3m, diameter 125mm) × 2
- Power Cord
- Dual Nozzle Bracket
- Jumper Hose
- User Manual

## 1.2 Unpacking Instructions

Carefully unpack the product immediately and check the container to make sure all the parts are in the package and are in good condition.

If the box or the contents (the product and included accessories) appear damaged from shipping, or show signs of mishandling, notify the carrier or dealer/seller immediately. In addition, keep the box and contents for inspection.

## 1.3 Symbols

Symbol	Meaning
	<b>Caution</b> Critical installation, configuration, or operation information. Not following these instructions may make the product not work, cause damage to the product, or cause harm to the operator.
	<b>Important</b> Important installation or configuration information. Failure to comply with this information may keep the product from working correctly.
	<b>Information</b> Useful information.

## 1.4 Disclaimer

The information and specifications contained in this User Manual are subject to change without notice. DJPOWER assumes no responsibility or liability for any errors or omissions and reserves the right to revise or to create this manual at any time.

Copyright © 2018 DJPOWER. All rights reserved.

## 1.5 Safety Notes

Please read the following Safety Notes carefully before working with the product. The notes include important safety information about installation, usage, and maintenance.

### 1.5.1 Personal Safety

- Always connect the product to a grounded circuit to avoid the risk of electrocution.
- During heating up and operation, the housing will be scalding hot. Do not touch.
- Condensation may form on the bottom of the product, creating damp or wet conditions under and around the machine. Use caution! Surfaces around the product may become slippery.
- The product is very hot during operation and it remains hot for a long time after operation has stopped. Do not touch the product's nozzle.
- Make sure that children, unauthorised people and animals do not obtain access to the machine.
- Eye protection is always required when operate the machine closely.

### 1.5.2 Mounting and Rigging

- For safety reasons, we do not recommend mounting the product in any capacity. Operate the product while it is on the ground only.
- CAUTION: When transferring product from extreme temperature environments, (e.g. cold truck to warm humid ballroom) condensation may form on the internal electronics of the product. To avoid causing a failure, allow product to fully acclimate to the surrounding environment before connecting it to power.
- Do not mount the product on a flammable surface (linoleum, carpet, wood, paper, carton, plastic, etc.).
- Do not use in a confined space. Always install the product in a location with adequate ventilation, at least 20 in (50 cm) from adjacent surfaces.
- Be sure that no ventilation slots on the product's housing are blocked.

### 1.5.3 Power and Wiring

- Always make sure that the voltage of the outlet to which you are connecting the product is within the range stated on the decal or rear panel of the product.
- Make sure the power cord is not crimped or damaged.
- Never connect this product to a dimmer pack or rheostat.
- Never disconnect the product from power cord by pulling or tugging on the cord.
- To eliminate unnecessary wear and improve its lifespan, during periods of non-use completely disconnect the product from power via breaker or by unplugging it

### 1.5.4 Operation

- Do not operate this product if you see damage to the housing or cables. Have the damaged parts replaced by an authorized technician at once.
- Make sure there are no flammable materials close to this product while it is operating.
- Do not cover or plug the output nozzle during operation.
- Do not use the product as a space heater.
- Never carry the product by the power cord or any moving part. Always use the handles.
- Drain the tank before transporting the product.
- The maximum ambient temperature (Ta) is 104 °F (40 °C). Do not operate the product at higher temperatures.
- Always disconnect the product from the power source before cleaning.
- This product contains no user-serviceable parts. Any reference to servicing in this User Manual will only apply to properly trained, certified technicians. Do not open the housing or attempt any repairs which can lead to damage or malfunction.
- In the event of a serious operating problem, stop using the product immediately.
- Use only DJPOWER Consumable PRO-V/PRO-A/PRO-C



**Keep this User Manual for future use. If you sell the product, be sure that the purchaser receives this document.**

## 2 INTRODUCTION

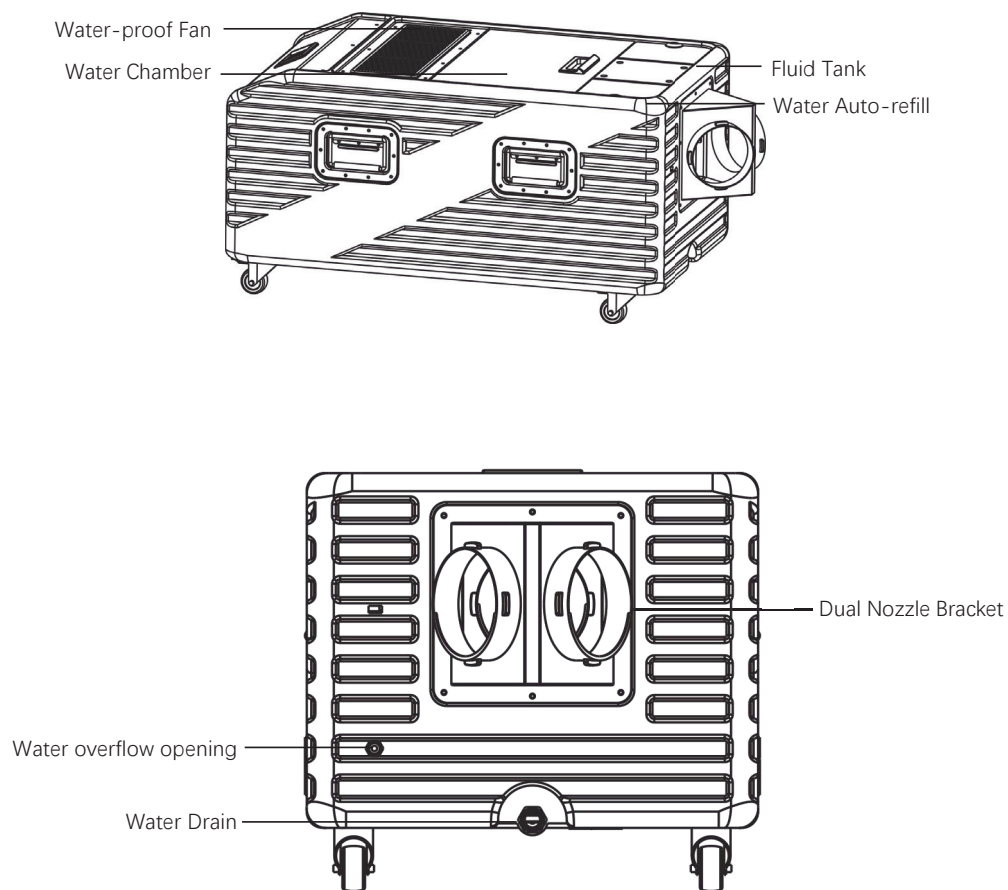
### 2.1 Description

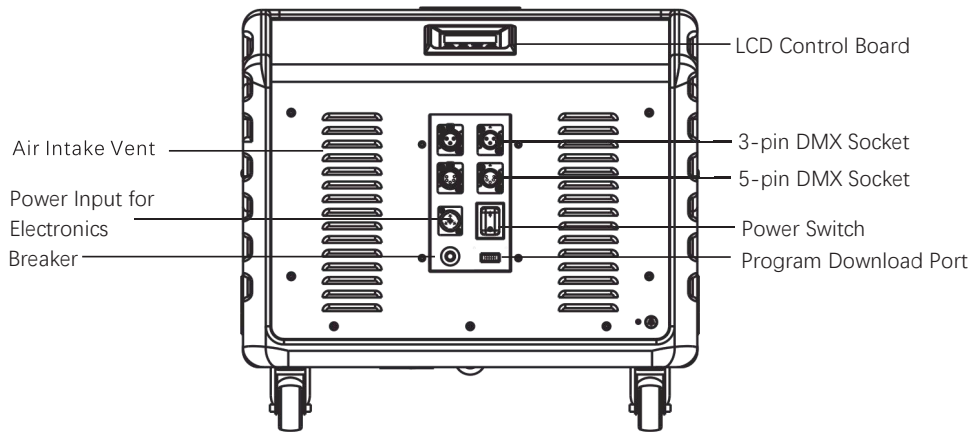
World's first monocoque frame aqua low fog machine H-SW3000, creates a continuous low-lying fog hugs the floor and dissipates without rising. By using the Ultrasonic technology, needs for dry ice is eliminated. Main consumables are pure water, environment friendly, cost saving and space saving. Enhanced material, lighter than similar models, portable and durable. User-friendly LCD display and operation, it is perfect for large clubs, large stage productions, rental companies and production release conference.

## 2.2 Features

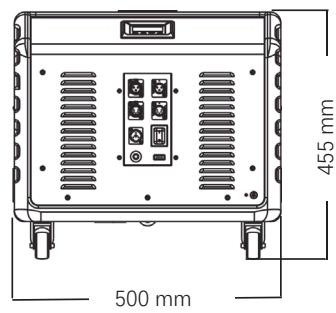
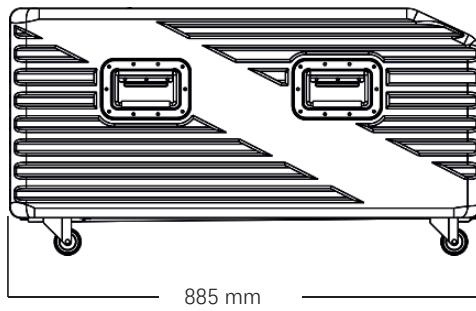
- Long-lasting body design with austenite welding and anti-corrosive primer;
- Integrated in a plastic case (with castors), applicable for touring,
- Drain holes design for water tank, free from leakage;
- Advanced No-Fluid protection;
- Advanced No-Water protection;
- Anti-loose power plug;
- Low fluid consumption, 3.5L fluid reservoir -2 hours on full output;
- Built-in LCD control, 3-pin and 5-pin DMX control;
- Please use DJPOWER professional fluid PRO-V/PRO-A/PRO-C; different fluid will show different stage effect. DJPOWER PRO-V fog fluid provides an awesome Quick Dissipation effect.

## 2.3 Product Overview





## 2.4 Product Dimensions



### 3 TECHNICAL SPECIFICATIONS

	<b>Input Voltage &amp; Rate</b>	<b>220-240 V, 50/60 Hz</b>
<b>AC Power</b>	Current Limiter Type	Breaker
	Current Limiter Specifications	15 A, 250 V
	Total Power Consumption	2,700 W
	Operating Current	11.7 A
	Power Input Connector	Lockable PowerCon IP65
	Power Output Connector (Daisy Chained)	Lockable PowerCon IP65
	<b>Heating</b>	Heat Up Time
Total Power Consumption		1,200 W
<b>Atomizer</b>	Unit Quantity	4 pc
	Power Consumption of each Unit	300 W
	Adjustable	√
	Adjustment Range	0-100%
<b>Capacity</b>	Fluid Tank Capacity	3.5 L
	Water Chamber Capacity	34.0 L
<b>Output</b>	Adjustable Volume	√
	Volume Adjustment Level/Range	1-100%
	Max Output Volume	20,000 cuft/min
	Max Coverage	400 m <sup>2</sup>
	Fluid Consumption @ full volume	29 min/L
	Water Consumption @ full volume	480.0 mL/min
	Continuous Output	√
	Max Continuous Output Level	100%
	Fuuly-loaded Cumulative Output Duration @ full volume	100.0 min
<b>Features</b>	Physical Thermostat	√
	Electronic Thermo-Control	√
	Adjustable Output	√
	Adjustable Fan Speed	√
	No-Fluid Protection	√
<b>Control</b>	On-device Manual Control	LCD control board
	Wireless Control	×
	Wired Control	×
	Control Protocol	DMX-512
	DMX Channel Range	3
<b>Accessory</b>	Data Connectors	3- and 5-pin XLR
	Diversion Hose	2 pc, 3 m, 125mm (5 inch)
	Diversion Nozzle	Optional 125mm (5 inch)
<b>Consumable</b>	Consumable	PRO-SW/PRO-A/PRO-D & Water
<b>Weight &amp; Dimensions</b>	Net Weight	46.0 kg
	Gross Weight	52.5 kg
	Machine Dimensions	885 × 500 × 455 mm
	Packing Dimensions	1095 × 570 × 535 mm

### 4 SETUP

#### 4.1 AC Power

The machine has a fixed voltage power supply and can work with an input voltage of AC 220 V-240 V, 50/60 Hz, depending on the specific model.

To determine the product's power requirements (circuit breaker, power outlet, and wiring), use the current value listed on the label affixed to the product's back panel, or refer to the product's specifications chart. The listed current rating indicates the product's average current draw under normal conditions.



Always connect the product to a protected circuit (circuit breaker or fuse). Make sure the product has an appropriate electrical ground to avoid the risk of electrocution or fire.



Never connect the product to a rheostat (variable resistor) or dimmer circuit, even if the rheostat or dimmer channel serves only as a 0 to 100% switch.

## 4.2 AC Plug

The H-SW3000 comes with a power input cord terminated with a Lockable power connector on one end. The other end is

- CN plug (CN market, etc.)
- EU plug (EU market, etc.)
- US plug (US market, etc.)

If the power input cord that came with your product has no plug, or if you need to change the plug, use the table below to wire the new plug:

Connection	Wire (U.S.)	Wire (Europe)
AC Live	Black	Brown
AC Neutral	White	Blue
AC Ground	Green/Yellow	Green/Yellow

## 4.3 Resetting the Breaker

This product is equipped with a resettable breaker. If the breaker trips, all sections of this product will lose power.

- Remove the power cord from mains power.
- Allow unit to cool for 15 minutes.
- After 15 minutes, you may attempt to reset the breaker by pressing the button with your finger.
- Plug the product's power cord into the power outlet and continue using as recommended.

## 4.4 DMX Linking

You can link the H-SW3000 to a DMX controller using a 3- or 5-pin DMX connection. If using other DMX-compatible products with this product, you can control each individually with a single DMX controller. Instructions for connecting and configuring this product for DMX operation are in the User Manual.

## 4.5 Mounting

Before mounting the product, read and follow the safety recommendations indicated in the Safety Notes.

### 4.5.1 Orientation

For safety reasons, we do not recommend mounting the product in any capacity. Operate the product while it is on the ground only, and make sure there is adequate room for ventilation, configuration, and maintenance.

### 4.5.2 Rigging

DJPOWER recommends using the following general guidelines when mounting this product.

- Before deciding on a location for the product, make sure there is easy access to the product for maintenance and programming purposes.
- Make sure that the structure or surface onto which you are mounting the product can support the product's weight (see the Technical Specifications).
- When mounting the product on the floor, make sure that the product and cables are away from people and vehicles.

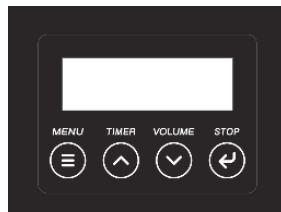
# 5 OPERATION

## 5.1 Preparing for Operation

- After checking that all the parts are intact and complete, position the machine on flat.
- Fill the water into water tank when power off. The capacity of water tank is 34 L.
- Always connect the product to a grounded circuit. Before power on, make sure it is connected with the rated voltage.
- Turn on the machine, it will immediately start heating up.

## 5.2 On-device Control Panel

To access the control panel functions, use the four buttons located underneath the LCD display.



Button	Function
<MENU>	Switch menu pages to select a function
<TIMER>	Increases the numeric value of current function TIMER starts the timer-controlled operation
<VOLUME>	Decreases the numeric value of current function VOLUME triggers the pump to modify the output volume
<STOP>	Enter enables the currently displayed menu or sets the currently selected value into the selected function STOP turns the fog output off

## 5.3 On-device Control Mode & Operation

### 5.3.1 Programming

- Refer to the Menu Map to understand the menu options. The menu map shows the main level and a variable number of programming levels for each option.
- To go to the desired main level, press <MENU> repeatedly until the option shows on the display. This will take you to the first programming level for that option.
- To select an option or value within the current programming level, press <TIMER> or <VOLUME> until the option shows on the display. If there is another programming level, you will see that first option, or you will see the selected value.
- Press <MENU> repeatedly to switch menu pages.
- Press <STOP> to go back to Standby Page.

### 5.3.2 Menu Map

	Display	Description	Parameter Range
Starting Pages			



	Display	Description	Parameter Range
	H-SW3000 AC-230V 50Hz		
Preparing Page	Heating Up >>>>>>>>>>>>>>	The machine is heating up.	
Standby Page	Ready 2 Low Fog H-SW3000	Finished heating up, ready to work.	
Working Status Pages	Interval 600s H-SW3000	Interval countdown of TIMER mode	
	Duration 300s H-SW3000	Duration countdown of TIMER mode	
	Fog Output 100% Fan Speed 100%	Output status of VOLUME mode	
Setting Pages	Fog Output 100%	Press ⬆ or ⬇ to set fog output of VOLUME mode	1-100%
	Fan Speed 100%	Press ⬆ or ⬇ to set fan speed of VOLUME mode	1-100%
	Humidity 100%	Press ⬆ or ⬇ to set output humidity of VOLUME mode	OFF/25%/50%/75%/100%
	Timer Interval 600s	Press ⬆ or ⬇ to set timer interval of TIMER mode	5-600s
	Timer Duration 300s	Press ⬆ or ⬇ to set timer duration of TIMER mode	5-300s
	DMX Address 512	Press ⬆ or ⬇ to select DMX starting address	1-512
	Fluid Sensor ON	Press ⬆ or ⬇ to activate/deactivate fluid sensor to turn on/off no-fluid-protection function	ON/OFF
	Auto Run Last Settings YES	Press ⬆ or ⬇ to set if the machine will automatically run previous setting when power on again	YES/NO
	Keypad Tone OFF	Press ⬆ or ⬇ to turn keypad tone ON/OFF	ON/OFF
	Language(语言) English	Press ⬆ or ⬇ to select the language and save by ENTER	Chinese/English

	Display	Description	Parameter Range
Error & Warning Pages	Water Level Low Refill Water		
	Fog Fluid Low Refill		
	Heating Failure Contact Service		

## 5.4 DMX Mode & Operation

The Machine H-SW3000 works with a DMX controller.

- Connect the product to a suitable power outlet.
- Turn the product on.
- Connect a DMX cable from the DMX output of the DMX controller to the DMX input socket on the product.

### 5.4.1 Starting Address

When selecting a starting DMX address, always consider the number of DMX channels. If you choose a starting address that is too high, you could restrict the access to some of the product's channels.



**DJPOWER® H-SW3000 DMX set the starting address in the 001 - 512 DMX range and uses 3 DMX channels, which defines the highest configurable address to 510 to have all channels controllable.**



Connect a DMX cable from the DMX output of the DMX controller to the DMX input socket on the product, or press repeatedly "MENU" button until the LCD shows "DMX Address". Press ⏪ or ⏩ to set desired DMX starting address.

### 5.4.2 DMX Mode Menu Map

When connected with DMX controller and receive DMX signal, the display will always show current DMX starting address, that can be changed anytime by pressing ⏪ or ⏩.

DMX Address  
512

### 5.4.3 DMX Channel Assignments and Values

Channel	Function	Value	Description
1	Fog Output	000 - 010	No Function
		011 - 255	1-100%
2	Fan Speed	000 - 010	No Function
		011 - 255	1-100%
3	Humidity	000 - 010	No Function
		011 - 062	25% humidity
		063 - 122	50% humidity
		123 - 183	75% humidity
		184 - 255	100% humidity

## 5.5 Auto Run Last Settings

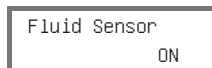
If the machine is shut off while it is operating at standalone mode (On-device & Wireless control), the "Auto Run Last Setting" will allow the machine to recover its previous same operating status when the unit is powered on again without pressing any button.



- **Shut off:** Get disconnected from power source, or turn off the power switch
- **Power on:** Get connected with power source, or turn on the power switch

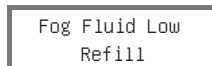
## 5.6 Fluid Sensor

This machine uses software-based fluid sensor to detect whether there is fluid inside tube so as to protect the pump from being damaged. Turn on the "Fluid Sensor" to activate "No Fluid Protection" function.



### 5.6.1 Trigger "No-Fluid Protection"

When the Fluid Sensor is ON, the software-based "no-fluid protection" function will be activated. After the program continues to detect the machine working with no fluid inside the tube for 90 s, the pump-shutoff will be activated with the flickering warning page showing on the screen.



When this warning message shows up, the machine will stop work but the LCD is still operable, only keep flickering.

### 5.6.2 Clear "No-Fluid Protection" Warning

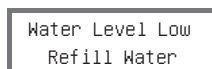
When the machine is under the no-fluid protection, after refilling the fluid, there are three ways to clear the warning.

- Press <STOP> (⏹) first, then press <VOLUME> (⏮) to let the machine run again, the warning will disappear until the fluid is pumped and fill the tube.
- Under the DMX control mode, bring down channel 1 to OFF (value 0-9), then back to ON (value 10-255), to let the machine run again. The warning will disappear until the fluid is pumped and fill the tube.
- Turn off "Fluid Sensor" in the menu.

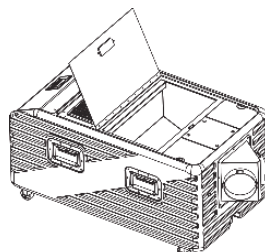
The LCD will keep flickering whenever it shows the warning message or regular operation menu pages until the fluid is finally pumped into tube and sensed by software.

## 5.7 Low Water Protection

When the water in the chamber is low, the LCD will flicker and show the warning message as below:



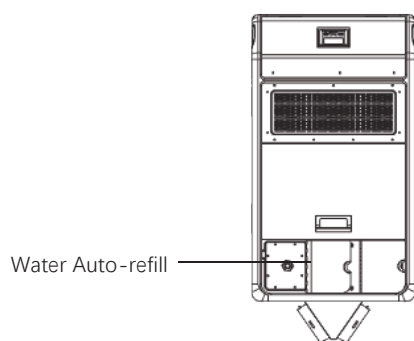
After the warning message shows up, the machine can still run for another 10 minutes with remaining water in the chamber, then shut off. Adding water in the chamber by either opening the lid on the top, or through the water auto-refill inlet.



Fog output is no need to stop when open the water chamber lid, the big volume of fog will not come out towards to people from the open lid.



Water auto-refill: please use jumper hose to avoid spill.



## 6 TECHNICAL INFORMATION

### 6.1 Maintenance

To avoid the H-SW3000 clogging, after every 40 hours of continuous operation, use a detergent composed of 35% vinegar and 65% distilled water through the system and fog 10-15 times after finish heating-up to prevent the accumulation of particulate matter in the heating element.

The recommended cleaning procedure is as follows.

- 1) Unplug the product from power.
- 2) Empty all fluid from the machine.
- 3) Add cleaning solution to the tank.
- 4) Connect the product to power and allow it to heat up.
- 5) Run the product in a well-ventilated area until the tank is empty. Do not allow the pump to run dry.
- 6) Refill with fog fluid to continue using the H-SW3000. Run the machine briefly to clear any cleaning solution from the pump and heater.
- 7) Excessive dust, fluid residue and dirt will degrade performance and cause overheating. Remove dust from air vents with air compressor, vacuum or soft brush. The casing could be cleaned by the damp cloth.



**Test-run your DJPOWER® H-SW3000 on a monthly basis to achieve the best performance.**

### 6.2 Storage

#### 6.2.1 Machine Storage

Before storing the machine, clean it as described in the cleaning procedure above; however, only follow steps 1 through 5. Do not refill the tank with fog fluid if storing the machine. Cleaning the system prior to storage will help prevent any particles from condensing inside the pump or heater while not in use.

### 6.3 Troubleshooting

Errors	Symptom	Potential Cause	Remedies
No fluid	Refer to "MENU MAP" chapter to for more information	No fluid	Refill fluid
		Fluid pump error	Contact Service
Low water	Refer to "MENU MAP" chapter to for more information	Low water	Refill water
		Water pump error	Contact Service
Heat failure	Refer to "MENU MAP" chapter to for more information		Contact Service



# 1 BEVOR ES LOSGEHT

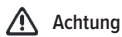
## 1.1 Lieferumfang

- H-SW3000 Maschine
- Schlauch (Länge 3.3m, diameter 125mm) × 2
- Kaltgerätekabel
- Dual Nozzle Aufsatz
- Verteiler Schlauch
- Bedienungsanleitung

## 1.2 Auspacken

Packen Sie das Produkt sofort vorsichtig aus und überprüfen Sie den Behälter, um sicherzustellen, dass alle Teile in der Verpackung und in gutem Zustand sind. Wenn der Karton oder der Inhalt (das Produkt und das mitgelieferte Zubehör) durch den Versand beschädigt zu sein scheinen oder Anzeichen einer unsachgemäßen Handhabung aufweisen, benachrichtigen Sie unverzüglich den Spediteur oder Händler/Verkäufer. Bewahren Sie außerdem den Karton und den Inhalt zur Kontrolle auf.

## 1.3 Symbole



### Achtung

Kritische Installations-, Konfigurations- oder Betriebsinformationen. Die Nichtbeachtung dieser Anweisungen kann dazu führen, dass das Produkt nicht funktioniert, das Produkt beschädigt oder der Bediener verletzt wird.



### Wichtig

Wichtige Installations- oder Konfigurationsinformationen. Die Nichtbeachtung dieser Informationen kann dazu führen, dass das Produkt nicht ordnungsgemäß funktioniert.



### Information

Nützliche Information

## 1.4 Haftungsausschluss

Die in diesem Benutzerhandbuch enthaltenen Informationen und Spezifikationen können ohne Vorankündigung geändert werden. DJPOWER übernimmt keine Verantwortung oder Haftung für Fehler oder Vollständigkeit und behält sich das Recht vor, dieses Handbuch jederzeit zu überarbeiten oder zu erstellen. Copyright © 2018 DJPOWER. All rights reserved.

## 1.5 Sicherheitshinweise

Bitte lesen Sie die folgenden Sicherheitshinweise sorgfältig durch, bevor Sie mit dem Produkt arbeiten. Die Hinweise enthalten wichtige Sicherheitsinformationen zur Installation, Verwendung und Wartung.

### 1.5.1 Persönliche Sicherheit

- Schließen Sie das Produkt immer an einen geerdeten Stromkreis an, um die Gefahr eines Stromschlags zu vermeiden.
- Beim Aufheizen und während des Betriebs wird das Gehäuse brühend heiß. Nicht Tasten.
- Auf der Unterseite des Geräts kann sich Kondenswasser bilden, wodurch unter und um das Gerät herum feuchte oder nasse Bedingungen entstehen. Sei vorsichtig! Oberflächen um das Produkt können rutschig werden.
- Das Produkt wird während des Betriebs sehr heiß und bleibt auch nach Beendigung des Betriebs noch lange heiß. Berühren Sie nicht das Produktdüse.
- Stellen Sie sicher, dass Kinder, unbefugte Personen und Tiere keinen Zugang zur Maschine erhalten.
- Augenschutz ist immer erforderlich, wenn die Maschine in unmittelbarer Nähe betrieben wird.

### 1.5.2 Befestigung und Aufhängung

- Aus Sicherheitsgründen empfehlen wir, das Produkt in keiner Weise zu montieren. Betreiben Sie das Produkt nur am Boden.
- VORSICHT: Wenn das Produkt aus Umgebungen mit extremen Temperaturen transportiert wird (z. B. von einem kalten Lastwagen in einen warmen, feuchten Ballsaal), kann sich auf der internen Elektronik des Produkts Kondenswasser bilden. Um einen Ausfall zu vermeiden, warten Sie, bis sich das Produkt vollständig an die Umgebung akklimatisiert hat, bevor Sie es an die Stromversorgung anschließen.
- Montieren Sie das Produkt nicht auf einer brennbaren Oberfläche (Linoleum, Teppich, Holz, Papier, Karton, Kunststoff usw.).
- Nicht in geschlossenen Räumen verwenden. Installieren Sie das Produkt immer an einem Ort mit ausreichender Belüftung, mindestens 50 cm (20 Zoll) von angrenzenden Oberflächen entfernt.
- Stellen Sie sicher, dass keine Lüftungsschlitze am Gehäuse des Produkts blockiert

### 1.5.3 Leistung und Anschluss

- Stellen Sie immer sicher, dass die Spannung der Steckdose, an die Sie das Produkt anschließen, innerhalb des Bereichs liegt, der auf dem Aufkleber oder der Rückseite des Produkts angegeben ist.
- Stellen Sie sicher, dass das Netzkabel nicht geknickt oder beschädigt ist.
- Schließen Sie dieses Produkt niemals an ein Dimmerpack oder ähnliches an.
- Trennen Sie das Produkt niemals vom Netzkabel, indem Sie diesen Stecker am Gerät oder am Kabel ziehen.
- Um unnötigen Verschleiß zu vermeiden und die Lebensdauer zu verlängern, trennen Sie das Produkt in Zeiten der Nichtbenutzung vollständig von der Stromversorgung über einen Trennschalter oder durch Ziehen des Netzsteckers.

### 1.5.4 Bedienung

- Betreiben Sie dieses Produkt nicht, wenn Sie Schäden am Gehäuse oder an den Kabeln sehen. Lassen Sie die beschädigten Teile sofort von einem autorisierten Techniker ersetzen.
- Stellen Sie sicher, dass sich keine brennbaren Materialien in der Nähe dieses Produkts befinden, während es in Betrieb ist.
- Verdecken oder verschließen Sie die Düse während des Betriebs nicht.
- Verwenden Sie das Produkt nicht als Raumheizung.
- Tragen Sie das Produkt niemals am Netzkabel oder an beweglichen Teilen. Verwenden Sie immer die Griffe.
- Entleeren Sie den Tank, bevor Sie das Produkt transportieren.
- Die maximale Umgebungstemperatur (Ta) beträgt 40 °C (104 °F). Betreiben Sie das Produkt nicht bei höheren Temperaturen.
- Trennen Sie das Produkt vor der Reinigung immer von der Stromquelle.
- Dieses Produkt enthält keine vom Benutzer zu wartenden Teile. Alle Maßnahmen zur Wartung in diesem Benutzerhandbuch gelten nur für ordnungsgemäß ausgebildete, zertifizierte Techniker. Öffnen Sie nicht das Gehäuse und versuchen Sie keine Reparaturen, die zu Schäden oder Fehlfunktionen führen können.
- Stellen Sie im Falle eines schwerwiegenden Betriebsproblems die Verwendung des Produkts sofort ein.
- Verwenden Sie nur DJPOWER Nebelfluid PRO-V/PRO-A/PRO-C

Bewahren Sie dieses Benutzerhandbuch für die zukünftige Verwendung auf. Wenn Sie das Produkt verkaufen, stellen Sie sicher, dass der Käufer dieses Dokument erhält.

## 2 EINFÜHRUNG

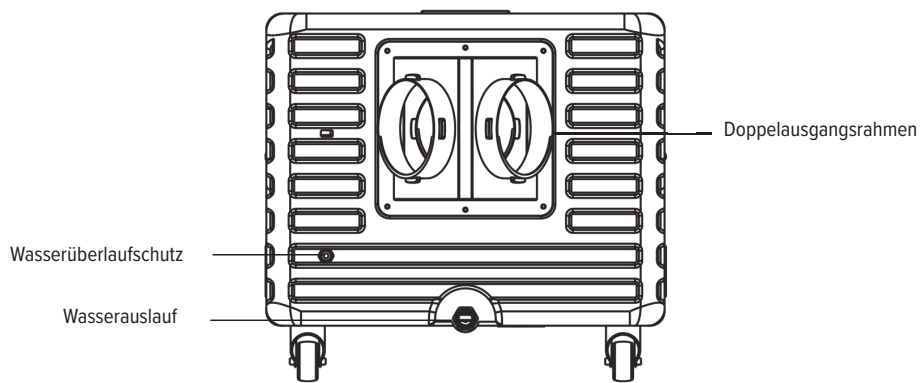
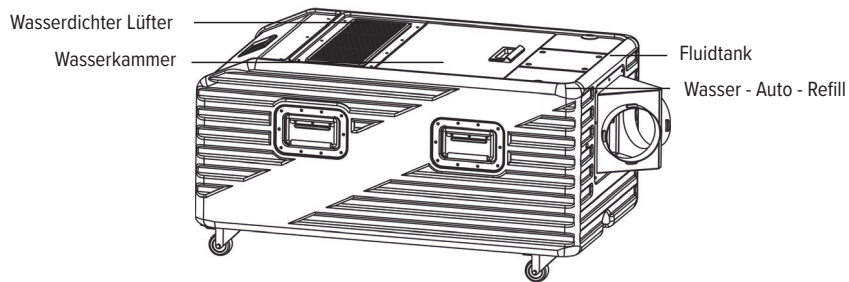
### 2.1 Beschreibung

Die weltweit erste Boden-Nebl-Aqua-Neblmaschine H-SW3000 erzeugt einen kontinuierlichen, tief liegenden Nebel, der sich an den Boden schmiegt und sich auflöst, ohne aufzusteigen. Durch die Verwendung der Ultraschalltechnologie entfällt der Bedarf an Trockeneis. Hauptverbrauchsmaterialien sind reines Wasser, umweltfreundlich, kostensparend und platzsparend. Verbessertes Material, leichter als vergleichbare Modelle, tragbar und langlebig. Benutzerfreundliches LCD-Display und Bedienung, perfekt für große Clubs, große Bühnenproduktionen, Verleihfirmen und Konferenzen.

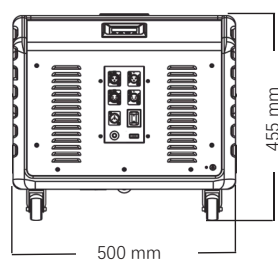
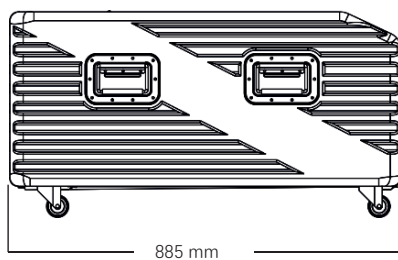
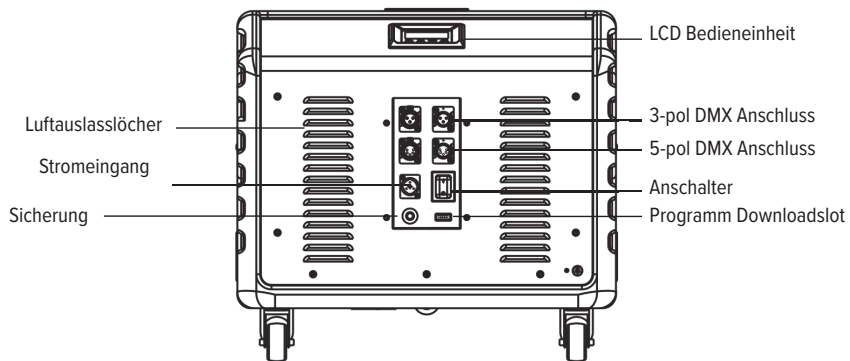
### 2.2 Eigenschaften

- Langlebiges Gehäusedesign mit Austenitschweißung und Korrosionsschutzgrundierung
- Integriert in einen Kunststoffkoffer (mit Rollen), geeignet für Touring
- Entwässerungslöcher für Wassertank, leckfrei
- Fortschrittlicher No-Fluid-Schutz
- Fortschrittlicher No-Water-Schutz
- Verliersicherer Netzstecker
- Geringer Flüssigkeitsverbrauch, 3,5-l-Flüssigkeitsbehälter – 2 Stunden bei voller Leistung
- Eingebaute LCD-Steuerung, 3-polige und 5-polige DMX-Steuerung
- Bitte verwenden Sie DJPOWER Professional Fluid PRO-V/PRO-A/PRO-C; Unterschiedliche Flüssigkeiten zeigen unterschiedliche Bühneneffekte. DJPOWER PRO-V Nebelfluid bietet einen fantastischen Quick Dissipation-Effekt.

## 2.3 Produktübersicht



## 2.4 Produktmaße







### 3 TECHNISCHE DATEN

Eingangsspannung	220-240 V, 50/60 Hz
Sicherung	Schalter
Sicherungsdaten	15 A, 250 V
Leistungsaufnahme	2,700 W
Strom	11.7 A
Stromeingang / Ausgang	Lockable PowerCon IP65
Aufheizzeit	Appr. 4-5 min
Anzahl Heizeinheiten	4 pc
Leistungsaufnahme Heizeinheit	1,200 W
Leistungsaufnahme pro Heizeinheit	300 W / Anpassbar ✓
Anpassrate	0-100%
Fluid Tankvolumen	3.5 L
Wassertankvolumen	34.0 L
Anpassbares Volumen	✓
Volumen Anpassbar	1-100%
Max Ausgangsvolumen	ca. 20,000 cuft/min
Max Nebelfläche	ca. 400 m <sup>2</sup>
Fluidverbrauch @ 100% Leistung	ca. 29 min/L gleichmäßiger Ausstoß
Max Ausgangslevel	100%
Voll aufgeheizt	Gesamtausgangszeit ca. 100.0 min
<b>Eigenschaften</b>	
Thermostat	✓
Elektronische Thermoregelung	✓
Anpassbarer Output	✓
Anpassbare Lüftergeschwindigkeit	✓
Fluidwarnung	✓
<b>Bedienung</b>	
Bedienung Gerät	LCD Bedienfeld / Wireless Control / DMX
Kabelfernbedingung	×
DMX Modus	DMX-512
Anzahl DMX Kanäle	3
DMX Verbindung	3- and 5-pin XLR
<b>Zubehör</b>	
Verteilerschlauch	2 Stück, 3 m, 125mm (5 inch)
Verteileraufsatz	Optional 125mm (5 inch)
Fluid	PRO-SW/PRO-A/PRO-D & Water Net Weight
<b>Gewicht und Maße</b>	
Nettogewicht	46.0 kg
Maße Maschine	885 × 500 × 455 mm
Maße Verpackung	1095 × 570 × 535 mm

## 4 SETUP

### 4.1 Anschluss

Die Maschine hat ein fest verbautes Netzteil und arbeitet je nach Modell mit einer Eingangsspannung von AC 220 V-240 V, 50/60 Hz arbeiten. Um den Strombedarf des Produkts (Schutzschalter, Steckdose und Verkabelung) zu bestimmen, verwenden Sie den Stromwert, der auf dem Etikett auf der Rückseite des Produkts angegeben ist, oder sehen Sie in der Spezifikationstabelle des Produkts nach. Die aufgeführte Nennstromstärke gibt die durchschnittliche Stromaufnahme des Produkts unter normalen Bedingungen an.

-  Schließen Sie das Produkt immer an einen geschützten Stromkreis (Leistungsschalter oder Sicherung) an. Stellen Sie sicher, dass das Produkt über eine geeignete elektrische Erdung verfügt, um die Gefahr eines Stromschlags oder Feuers zu vermeiden.
-  Schließen Sie das Produkt niemals an einen variablen Widerstand oder einen Dimmerkreis an, selbst wenn der Rheostat oder Dimmerkanal nur als 0- bis 100%-Schalter dient.

### 4.2 AC Stecker

Der H-SW3000 wird mit einem Netzkabel geliefert, das an einem Ende mit einem fixierbaren Stecker abgeschlossen ist. Das andere Ende ist ein EU-Stecker (Schutzko)

Wenn das mit Ihrem Produkt gelieferte Netzkabel keinen Stecker hat oder Sie den Stecker austauschen müssen, verwenden Sie die folgende Tabelle, um den neuen Stecker anzuschließen:

Verbindung	Kabel
AC Phase	Braun
AC Neutral	Blau
AC Erdung	Grün/Gelb

### 4.3 Sicherung zurücksetzen

Dieses Produkt ist mit einer rücksetzbaren Sicherung ausgestattet. Wenn die Sicherung auslöst, verlieren alle Teile dieses Produkts Strom.

- Trennen Sie das Netzkabel vom Stromnetz.
- Gerät 15 Minuten abkühlen lassen.
- Nach 15 Minuten können Sie versuchen, den Sicherungsschalter zurückzusetzen, indem Sie die Taste mit Ihrem Finger drücken.
- Stecken Sie das Netzkabel des Produkts in die Steckdose und verwenden Sie es wie empfohlen weiter.

### 4.4 DMX Verbindung

Sie können den H-SW3000 über eine 3- oder 5-polige DMX-Verbindung mit einem DMX-Controller verbinden. Wenn Sie andere DMX-kompatible Produkte mit diesem Produkt verwenden, können Sie jedes einzeln mit einem einzigen DMX-Controller steuern. Anweisungen zum Anschließen und Konfigurieren dieses Produkts für den DMX-Betrieb finden Sie im Benutzerhandbuch.

### 4.5 Befestigung

Lesen und befolgen Sie vor der Montage des Produkts die Sicherheitshinweise in den Sicherheitshinweisen.

#### 4.5.1 Ausrichtung

Aus Sicherheitsgründen empfehlen wir, das Produkt nur am Boden zu nutzen und stellen Sie sicher, dass ausreichend Platz für Belüftung, Konfiguration und Wartung vorhanden ist.

#### 4.5.2 Rigging

DJPOWER empfiehlt, bei der Montage dieses Produkts die folgenden allgemeinen Richtlinien zu beachten.

- Bevor Sie sich für einen Standort für das Produkt entscheiden, vergewissern Sie sich, dass das Produkt für Wartungs- und Programmierzwecke leicht zugänglich ist.
- Stellen Sie sicher, dass die Oberfläche, auf der Sie das Produkt montieren, das Gewicht des Produkts tragen kann (siehe Technische Daten). Bei Montage des Produkts auf dem Boden sicherstellen, dass sich das Produkt nicht in der Nähe von Personen und Gegenständen befindet.

## 5 OPERATION

### 5.1 Für den Betrieb vorbereiten

- Nachdem Sie überprüft haben, dass alle Teile intakt und vollständig sind, stellen Sie die Maschine flach auf.
- Füllen Sie das Wasser in den Wassertank, wenn das Gerät ausgeschaltet ist. Das Fassungsvermögen des Wassertanks beträgt 34 L.
- Schließen Sie das Produkt immer an einen geerdeten Stromkreis an. Stellen Sie vor dem Einschalten sicher, dass es mit der Nennspannung verbunden ist.
- Schalten Sie die Maschine ein, sie beginnt sofort mit dem Aufheizen.

### 5.2 Bediendisplay am Gerät

Um auf die Funktionen des Bedienfelds zuzugreifen, verwenden Sie die vier Tasten unter dem LCD-Display.



<b>Button</b>	<b>Funktion</b>
<MENU>	Wechselt durch die Funktionen
<TIMER>	Erhöht den Wert der aktuellen Funktion / TIMER startet die Zeitgesteuerten Programme
<VOLUME>	Verringert den Wert der aktuellen Funktion / VOLUME spricht die Pumpe an um den Nebelausstoß anzupassen
<STOP>	Enter öffnet eine Funktion oder bestätigt den jeweiligen Wert einer Funktion / STOP beendet den Nebelausstoß

## 5.3 Geratsteuerung & Bedienung

### 5.3.1 Programmierung

- Schlagen Sie in der Menuubersicht nach, um die Menuoptionen zu verstehen. Die Menustruktur zeigt die Hauptebene und eine variable Anzahl von Programmiererebenen fur jede Option.
- Um zur gewunschten Hauptebene zu gelangen, drucken Sie wiederholt <MENU>, bis die Option auf dem Display angezeigt wird. Dadurch gelangen Sie zur ersten Programmiererebene fur diese Option.
- Um eine Option oder einen Wert innerhalb der aktuellen Programmiererebene auszuwahlen, drucken Sie <TIMER> oder <VOLUME>, bis die Option auf dem Display angezeigt wird. Wenn es eine andere Programmiererebene gibt, sehen Sie diese erste Option oder Sie sehen den ausgewahlten Wert.
- Drucken Sie wiederholt <MENU>, um die Menuseiten zu wechseln.
- Drucken Sie <STOP>, um zur Standby-Seite zuruckzukehren / einen Wert zu bestatigen.

### 5.3.2 Menu Map

<b>ANZEIGE</b>	<b>BESCHREIBUNG</b>	<b>PARAMETER</b>
<b>Startseite</b>	H-SW3000 Version 1.0	
	H-SW3000 AC-230V 50Hz	
<b>Aufheizen</b>	Heating Up >>>>>>>>>>>>>>>	Die Maschine heizt auf
<b>Standby</b>	Ready 2 Low Fog H-SW3000	Die Maschine ist vorgeheizt und bereit
	Interval 600s H-SW3000	Intervalnutzung mit TIMER
<b>Zustand</b>	Duration 300s H-SW3000	Nebeldauer TIMER Modus
	Fog Output 100% Fan Speed 100%	Ausstoeinstellung

Einstellungen	Fog Output 100%	Pfeiltasten drücken um Nebelaustoß festzulegen	1 - 100%
	Fan Speed 100%	Pfeiltasten drücken um Lüftergeschwindigkeit festzulegen	1 - 100%
	Humidity 100%	Pfeiltasten drücken um Feuchtigkeit festzulegen	OFF / 25% / 50% / 75% / 100%
	Timer Interval 600s	Pfeiltasten drücken um Zeitintervall festzulegen	5 - 600s
	Timer Duration 300s	Pfeiltasten drücken um Zeitdauer festzulegen	5 - 300s
	DMX Address 512	Pfeiltasten drücken um DMX Startadresse festzulegen	1 - 512
	Fluid Sensor ON	Pfeiltasten drücken um Fluidsensor an/aus zu schalten	ON / OFF
	Auto Run Last Settings YES	Pfeiltasten drücken um festzulegen ob die vorherigen Einstellungen bei Anschalten gestartet werden.	YES / NO
	Keypad Tone OFF	Pfeiltasten drücken um Tastenton an/aus zu schalten	ON / OFF
	Language(语言) English	Pfeiltasten drücken um Sprache festzulegen	Chinese / English
Fehler & Warnungen	Water Level Low Refill Water		
	Fog Fluid Low Refill		
	Heating Failure Contact Service		


## 5.4 DMX Modi & Bedienung


Die Maschine H-SW3000 arbeitet mit einem DMX-Controller.

- Schließen Sie das Produkt an eine geeignete Steckdose an.
- Schalten Sie das Produkt ein.
- Verbinden Sie ein DMX-Kabel vom DMX-Ausgang des DMX-Controllers mit der DMX-Eingangsbuchse am Produkt.

### 5.4.1 Startadresse

Berücksichtigen Sie bei der Auswahl einer DMX-Startadresse immer die Anzahl der DMX-Kanäle. Wenn Sie eine zu hohe Startadresse wählen, könnten Sie den Zugriff auf einige Kanäle des Produkts einschränken.

 DJPOWER® H-SW3000 DMX legt die Startadresse im DMX-Bereich 001 - 512 fest und verwendet 3 DMX-Kanäle, wodurch die höchste konfigurierbare Adresse auf 510 festgelegt wird, damit alle Kanäle steuerbar sind.

 Verbinden Sie ein DMX-Kabel vom DMX-Ausgang des DMX-Controllers mit der DMX-Eingangsbuchse am Produkt oder drücken Sie wiederholt die „MENU“-Taste, bis das LCD „DMX-Adresse“ anzeigt. Drücken Sie „Pfeil nach oben“ oder „Pfeil nach unten“, um die gewünschte DMX-Startadresse einzustellen.

### 5.4.2 DMX Menü

Wenn es mit dem DMX-Controller verbunden ist und ein DMX-Signal empfängt, zeigt das Display immer die aktuelle DMX-Startadresse, die jederzeit durch Drücken der Pfeiltasten geändert werden kann.



DMX Address  
512

### 5.4.3 DMX Kanalbelegung und Werte

Kanal	Funktion	Wert	Beschreibung
1	Nebelausstoß	000 - 010	Keine Funktion
		011 - 255	1 - 100%
2	Lüftergeschwindigkeit	000 - 010	Keine Funktion
		011 - 255	1 - 100%
3	Feuchtigkeit	000 - 010	Keine Funktion
		011 - 062	25%
		063 - 122	50%
		123 - 183	75%
		184 - 255	100%

## 5.5 Autostart der letzten Einstellungen

Wenn das Gerät ausgeschaltet wird, während es im Standalone-Modus (On-Device & Wireless Control) betrieben wird, ermöglicht die „Auto Run Last Setting“ die Maschine, um ihren vorherigen gleichen Betriebszustand wiederherzustellen, wenn das Gerät wieder eingeschaltet wird, ohne eine Taste zu drücken.

-  • Abschalten: Von der Stromquelle trennen oder den Netzschalter ausschalten
-  • Einschalten: Stellen Sie eine Verbindung zur Stromquelle her oder schalten Sie den Netzschalter ein

## 5.6 Fluid Sensor

Diese Maschine verwendet einen softwarebasierten Flüssigkeitssensor, um zu erkennen, ob sich Flüssigkeit im Rohr befindet, um die Pumpe vor Beschädigung zu schützen. Schalten Sie den „Fluidsensor“ ein, um die Funktion „No-Fluid Protection“ zu aktivieren.

Fluid Sensor  
ON

### 5.6.1 Auslöser "No-Fluid Protection"

Wenn der Flüssigkeitssensor eingeschaltet ist, wird die softwarebasierte Funktion „No-Fluid Protection“ aktiviert. Nachdem das Programm weiterhin erkennt, dass die Maschine 90 Sekunden lang ohne Flüssigkeit im Schlauch arbeitet, wird die Pumpenabschaltung aktiviert, wobei die flackernde Warnseite auf dem Bildschirm angezeigt wird.

Fog Fluid Low  
Refill

Wenn diese Warnmeldung erscheint, stellt die Maschine die Arbeit ein, aber das LCD ist noch betriebsbereit, flackert nur weiter.

### 5.6.2 Löschung der "No-Fluid Protection" Warnung

Wenn die Maschine auf No-Fluid Protection steht, gibt es nach dem Nachfüllen der Flüssigkeit drei Möglichkeiten, die Warnung zu löschen.

- Drücken Sie zuerst <STOP>, dann drücken Sie <VOLUME>, um die Maschine wieder laufen zu lassen, die Warnung verschwindet, bis die Flüssigkeit gepumpt und der Schlauch gefüllt ist.
- Bringen Sie im DMX-Steuerungsmodus Kanal 1 auf OFF (Wert 0-9) und dann wieder auf ON (Wert 10-255), damit das Gerät wieder läuft. Die Warnung verschwindet, bis die Flüssigkeit gepumpt und der Schlauch gefüllt ist.
- Schalten Sie „Flüssigkeitssensor“ im Menü aus.

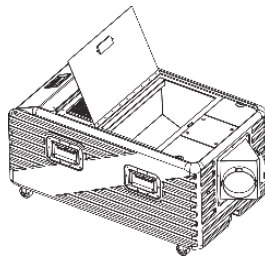
Das LCD flackert immer dann, wenn es die Warnmeldung oder die Menüseiten für den normalen Betrieb anzeigt, bis die Flüssigkeit schließlich in den Schlauch gepumpt und von der Software erfasst wird.

### 5.7 Niedrigwasserschutz

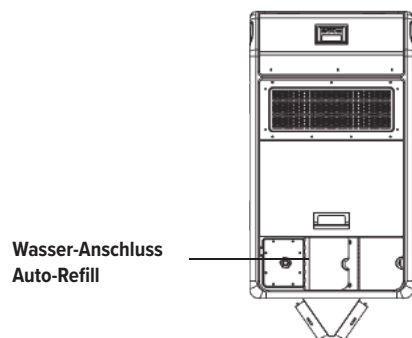
Wenn das Wasser in der Kammer niedrig ist, flackert das LCD und zeigt die folgende Warnmeldung:

Water Level Low  
Refill Water

- ⓘ Nach Erscheinen der Warnmeldung kann die Maschine noch 10 Minuten mit Restwasser in der Kammer laufen und sich dann abschalten. Füllen Sie Wasser in die Kammer, indem Sie entweder den Deckel auf der Oberseite öffnen oder durch den automatischen Wassernachfülleinlass.



- ⚠ Der Nebelausstoß muss nicht gestoppt werden, wenn der Deckel der Wasserkammer geöffnet wird, da das große Nebelvolumen nicht aus dem geöffneten Deckel auf die Menschen strömen wird.
- ⓘ Automatisches Nachfüllen von Wasser: Bitte verwenden Sie einen Überbrückungsschlauch, um ein Verschütten zu vermeiden.



## 6 TECHNISCHE INFORMATIONEN

### 6.1 Wartung

Um ein Verstopfen des H-SW3000 zu vermeiden, verwenden Sie nach jeweils 40 Stunden Dauerbetrieb ein Reinigungsmittel, das aus 35 % Essig und 65 % destilliertem Wasser besteht, durch das System und besprühen Sie es 10-15 Mal nach dem Aufheizen, um die Ansammlung von Partikeln zu verhindern im Heizelement.

Das empfohlene Reinigungsverfahren ist wie folgt.

- 1) Trennen Sie das Produkt von der Stromversorgung.
- 2) Entleeren Sie alle Flüssigkeiten aus der Maschine.
- 3) Reinigungslösung in den Tank geben.
- 4) Schließen Sie das Produkt an die Stromversorgung an und lassen Sie es aufheizen.
- 5) Lassen Sie das Produkt in einem gut belüfteten Bereich laufen, bis der Tank leer ist. Lassen Sie die Pumpe nicht trocken laufen.
- 6) Füllen Sie Nebelflüssigkeit nach, um den H-SW3000 weiter zu verwenden. Lassen Sie die Maschine kurz laufen, um jegliche Reinigungslösung aus Pumpe und Heizung zu entfernen
- 7) Übermäßiger Staub, Flüssigkeitsrückstände und Schmutz beeinträchtigen die Leistung und führen zu Überhitzung. Entfernen Sie Staub von den Lüftungsöffnungen mit einem Luftkompressor, Staubsauger oder einer weichen Bürste. Das Gehäuse konnte mit dem feuchten Tuch gereinigt werden.

 Testen Sie Ihren DJPOWER® H-SW3000 monatlich, um die beste Leistung zu erzielen.

### 6.2 Lagerung

#### 6.2.1 Maschinenlagerung

Reinigen Sie die Maschine vor dem Lagern wie oben im Reinigungsverfahren beschrieben; Befolgen Sie jedoch nur die Schritte 1 bis 5. Füllen Sie den Tank nicht mit Nebelfluid auf, wenn Sie die Maschine lagern. Das Reinigen des Systems vor der Lagerung trägt dazu bei, dass keine Partikel in der Pumpe oder Heizung kondensieren, wenn sie nicht verwendet werden.

### 6.3 Fehlerbehebung

Niedriges Wasser	Weitere Informationen finden Sie im Kapitel „MENU Struktur“	Kein Fluid	Fluid nachfüllen
		Fehler Flüssigkeitspumpe	Service benachrichtigen
Wassermangel	Weitere Informationen finden Sie im Kapitel „MENU Struktur“	Wenig Wasser	Wasser nachfüllen
		Fehler Wasserpumpe	Service benachrichtigen
Hitzeausfall	Weitere Informationen finden Sie im Kapitel „MENU Struktur“		Service kontaktieren



## **IMPORTER**

---

**B&K LUMITEC**

ZI – 2 Rue Alfred Kastler – 67850 Herrlisheim – France

[www.bklumitec.com](http://www.bklumitec.com)