



Fog machine H-2VSD

USER MANUAL

1. Safety Instructions



- This device is only for use in
- closed rooms (not outdoors).
- The warranty claim expires if the device is modified by the user.
- The device may only be repaired by trained specialists.
- Only use fuses of the same type and only original parts as spare parts.
- To prevent fire and electric shock, protect the device from rain and moisture..

1.1. Hinweise für den sicheren und einwandfreien Gebrauch

Beware of heat and extreme temperatures!

Do not place the device in a location subject to extreme temperatures. Only operate the device in an ambient temperature between 0°C (32°F) - 40°C (104°F). Do not expose the device to direct sunlight or heat sources.

Protect the device from moisture, water and dust!

When setting up the device, avoid locations with high humidity or excessive dust. Do not place liquids on or near the system.

Always place the device on solid ground!

Place the device on a solid surface to avoid vibrations.

Do not use chemical agents for cleaning!

Use a clean, dry cloth to remove dust. Metal parts can be cleaned with a slightly damp cloth. Before cleaning the device, always pull out the mains plug!

If the device does not work properly!

If problems arise, unplug the power cord. The user should not attempt to service the device on their own. All repairs and service must be performed by a qualified technician.

Be careful with the power cord!

Never pull the mains cable to disconnect the device from the power supply, but hold the plug housing in your hand. If you do not use the device for a long period of time, pull out the mains plug

CAUTION!

The warranty claim expires in the event of damage caused by non-observance of the instructions. The manufacturer and importer assumes no liability whatsoever for consequential damage. Only qualified specialists may establish the correct electrical connection. All electrical and mechanical connections must be installed in accordance with European safety standards

1.1. Intended use of the device

This device is a device that was developed for professional use on stages, in discotheques, theaters, etc. The device is only approved for connection to a maximum of 230V, 50/60 Hz AC voltage and is only intended for indoor use.

Regular breaks in use increase the service life of your device.

Avoid physical shock or any form of violence when installing or starting up the device.

Make sure that cables are not lying around freely. This would endanger your own safety and the safety of third parties.

The device must not be operated or stored in an environment in which splashing water, rain or moisture is to be expected. Moisture or high humidity can reduce the insulation of the device and lead to fatal electric shocks.

When using fog machines, it must be ensured that the fog saturation of the room must allow a good visibility of at least 10 m.

Do not operate the device during thunderstorms. Overvoltage could destroy the device. In the event of a thunderstorm, completely disconnect the device from the mains by pulling out the mains plug.

Surrounding objects or surfaces must not be touched by the housing.

Make sure that when assembling and dismantling the device, the area below the assembly site is cordoned off. This also applies to the performance of service work.

Familiarize yourself with the functions of the device before putting it into operation. Do not allow the device to be operated by persons who have no experience in it. The most common cause of malfunctions is improper operation of the device.

Keep the device away from children and never operate it unsupervised.

Never aim the nozzle at people and keep 50cm away from the nozzle.
ATTENTION! The emitted mist is very hot.

Keep a minimum distance of 50cm to other objects.

Use only the recommended high quality water-based fluid from your dealer. Other fluids can cause damage. Do not use flammable additives such as oil, gas, perfumes, etc. in your fluid.

Never point the nozzle at an open flame or flammable objects.

Make sure to fill up the fluid in time. Running the machine without fluid can damage the pump and heater block. Unplug the power cord when topping up the fluid.

Never drink the fog fluid. If it did happen, contact a doctor immediately. If the fluid comes into contact with the eyes and mucous membranes, rinse the areas immediately with water.

Only operate the device in a horizontal position.

Never use solvents or aggressive cleaning agents to clean the device. Instead, use a soft, slightly damp cloth.

When transporting the device, please use the original packaging or the accessories provided to prevent transport damage.

Unauthorized changes to the device are prohibited for safety reasons!

- 1.2.** Any use of the device that deviates from the use described in these operating instructions can lead to damage to the device. In this case, the warranty claim expires. In addition, it should be noted that any other use is associated with dangers and can lead to short circuits, fire, electric shock and falls, for example.

Over head mounting



Risk of death!

During installation, the provisions of BGV C1 (formerly VBG 70) and EN 60598-2-17 must be observed! The installation is to be carried out exclusively by authorized specialist personnel.

The suspension devices of the device must be constructed and dimensioned in such a way that they can carry ten times the payload for one hour without causing permanent damaging deformation.

The installation must always be carried out with the help of a second, independent suspension. This can, for example, be a suitable safety net. The secondary suspension must be designed and installed in such a way that in the event of a failure of the main suspension, no part of the installation can fall.

During assembly, conversion and dismantling, staying unnecessarily in the area of movement areas, on lighting bridges, under high workplaces or in other hazardous areas is prohibited.

The commercial user has the following responsibilities for safety-related and mechanical equipment:

- Check by an expert before the first start-up or after decisive changes before the start-up again.
- Review in the scope of the acceptance test at least every four years by an expert.
- Inspection by an expert at least once a year

How to proceed with overhead attachment:

Ideally, the device should be installed outside of the area where people are.

IMPORTANT! A high level of experience is required for overhead mounting. This includes knowledge of working load calculations, knowledge of the installation material used and knowledge of safety inspections of the material used and the equipment, but the experience required is not limited to this alone. Under no circumstances should you attempt the installation yourself unless you are suitably qualified. Instead, hire a professional installer. Please note that improper installation may result in personal injury and/or property damage.

The device must not be installed within the reach of persons.

If the device is to be suspended from the ceiling or from high supports, work must be carried out with truss systems. The device must never be installed in such a way that it can swing freely in space.

Please note: Devices can cause serious injuries if they fall! If you have doubts about the safety of a possible form of installation, then do NOT install the device!

Before mounting the device, ensure that the mounting surface is capable of supporting at least ten times the point load of the device's own weight.

Mount the device with the mounting bracket on a truss system using suitable lifting gear.

When installing overhead, ensure that the device is always secured with a safety rope that can carry twelve times the weight of the device. Only safety arrester ropes with screw links are to be used. Hang the safety catch rope in the catch rope hole in the mounting bracket or on the device. Route the rope over the truss or other secure attachment point. Hook the end into the screw link and tighten the locking nut securely.


The maximum fall distance of 20 cm must not be exceeded!

A safety arrester rope that has been subjected to the stress of a fall or that has been damaged must no longer be used as a safety arrester rope. Adjust the angle of inclination using the mounting bracket and tighten the locking screws.

2. Connection

2.1.1. Electrical Connection

Connect the device to the mains using the supplied power cable! The protective earth must always be connected!

Cable (EU)	Cable (US)	Pin	International
Brown	Black	Live	L
Blue	White	Neutral	N
Green/ Yellow	Green	Earth	

2.1.2. DMX connection

Make sure you always use shielded cables. 3pin or 5pin XLR cables are suitable for this.

2.1.3. DMX connection with terminator

For installations where the DMX signal has to bridge a large distance or where the device is to be operated in an environment with increased electromagnetic radiation, such as a discotheque, we recommend using a DMX terminator. This prevents the digital control signal from being corrupted by electrical noise. The DMX terminator is simply an XLR connector with a 120Ω resistor between pins 2 and 3, which is then plugged into the XLR output jack of the last fixture in the chain. Please see the drawings below.

3. Introduction

Thank you for purchasing the H-2VSD Fog Machine.

We recommend reading these operating instructions carefully before using the device. Please follow the instructions in this user manual. This is the only way to ensure safe operation, proper use and a long service life for the device.

The H-2VSD is the world's first LED dual output super jet fog machine. This device has been specially developed for professional use. With the unique & patented Super-Jet technology, the strength of the output is comparable to that of Co2 jets.

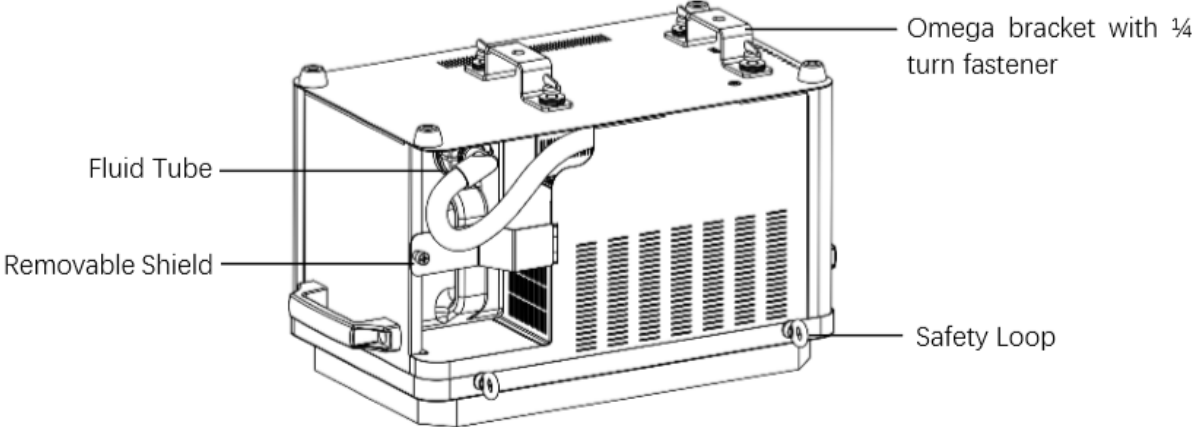
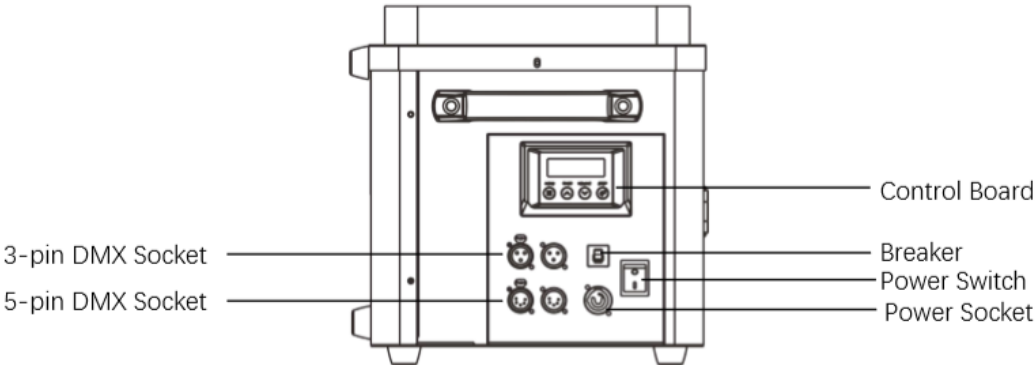
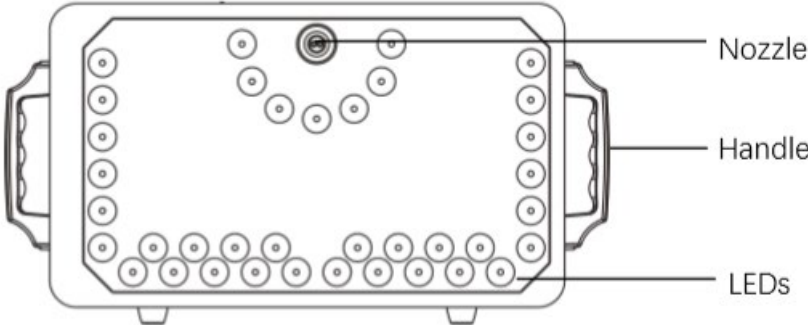
3.1. Features

- Dual output for powerful fog output
- Patented Super-Jet Technology
- Stable and durable.
- "NO FLUID" protection
- Patented Immediate Stop Technology
- Built-in control LCD
- 37x 8W RGBA LEDs
- 3 + 5 pin DMX
- Please only use fog fluids from DJPower.

3.2. Scope of delivery

- 1x Fog Machine H-2VSD
- 1x power cable
- 2x Omega brackets
- Operating instructions

3.3. Product description



4. First use

ATTENTION!

Before using the device for the first time, remove all packaging materials.

1. After checking that the device is intact and complete, please place it on a flat surface.
2. Fill the tank with fluid! Please only use the recommended fluid, otherwise the device may be damaged and the guarantee will be void. Make sure that there is always enough fluid in the tank.
3. Connect the device to the mains.
4. The device starts to heat up. This process takes 9 minutes, during which time the display shows "Warming up".
5. The heating process is complete. "Ready TO Fog" appears on the display.

4.1. Control

It is operated via the display or via DMX.



MENU	Calling up the menu structure to make individual settings.
UP / TIMER	Select a menu item or increase a value. Activate the timer.
DOWN / VOLUME	Select a menu item or decrease a value. Start manual ejection.
ENTER / STOP	Confirm the selection or the setting made. Stop manual ejection.

4.1.1. Menu

Welcome Pages	<div style="border: 1px solid black; padding: 2px; text-align: center;"> DJPOWER Version 2 </div>	Software version
	<div style="border: 1px solid black; padding: 2px; text-align: center;"> Initializing... DJPOWER H-2VSD </div>	Initializing
Preparing Pages	<div style="border: 1px solid black; padding: 2px; text-align: center;"> Heating Up >>>>> </div>	The machine is heating up
Standby Page	<div style="border: 1px solid black; padding: 2px; text-align: center;"> Ready to Fog DJPOWER H-2VSD </div>	Finished heating up, ready to work.
Settings Page	<div style="border: 1px solid black; padding: 2px; text-align: center;"> Timer Interval 115 S </div>	Press ⏪ or ⏩ to set interval output of TIMER mode 1-600
	<div style="border: 1px solid black; padding: 2px; text-align: center;"> Timer Duration 6 S </div>	Press ⏪ or ⏩ to set duration output of TIMER mode 1-10
	<div style="border: 1px solid black; padding: 2px; text-align: center;"> Manual Output Color 10 </div>	Press ⏪ or ⏩ to set output color 0-17
	<div style="border: 1px solid black; padding: 2px; text-align: center;"> Fluid Sensor OFF </div>	Press ⏪ or ⏩ to turn ON/OFF fluid sensor ON/OFF
	<div style="border: 1px solid black; padding: 2px; text-align: center;"> DMX Address 1 </div>	Press ⏪ or ⏩ to select DMX starting address 1-512
	<div style="border: 1px solid black; padding: 2px; text-align: center;"> Language (语言) English </div>	Press ⏪ or ⏩ to select language, and saved it by press ⏩ English/Chinese
Working Page	<div style="border: 1px solid black; padding: 2px; text-align: center;"> Interval 110 S DJPOWER H-2VSD </div>	Interval output of TIMER mode
	<div style="border: 1px solid black; padding: 2px; text-align: center;"> Duration 8 S DJPOWER H-2VSD </div>	Duration output of TIMER mode
	<div style="border: 1px solid black; padding: 2px; text-align: center;"> Volume DJPOWER H-2VSD </div>	Output of VOLUME mode
Warning Page	<div style="border: 1px solid black; padding: 2px; text-align: center;"> Lack of Fluid Please refill </div>	Lack of fluid, and the display will flicker

4.1.2. DMX Table

If the device is controlled with a DMX signal, the display shows the set DMX address.

Channel	Function	Value	Description
1	Fog	000 - 009	No function
		010 - 255	Fog on
2	Inner red	000 - 009	No function
		010 - 255	Dim to bright
3	Inner green	000 - 009	No function
		010 - 255	Dim to bright
4	Inner blue	000 - 009	No function
		010 - 255	Dim to bright
5	Inner amber	000 - 009	No function
		010 - 255	Dim to bright
6	Outer red	000 - 009	No function
		010 - 255	Dim to bright
7	Outer green	000 - 009	No function
		010 - 255	Dim to bright
8	Outer blue	000 - 009	No function
		010 - 255	Dim to bright
9	Outer amber	000 - 009	No function
		010 - 255	Dim to bright
10	Auto color	000 - 009	No function
		010 - 255	Auto Color (Color 1-9 rotating every 1 second)
11	Auto color (IFCC)	000 - 009	No function
		010 - 255	Auto Color (Color 1-9 rotating every 1 second)
12	Auto color	000 - 009	No function
		010 - 255	Dim to fast
13	Strobe	000 - 009	No function
		010 - 255	Slow to fast
14	Dimmer	000 - 009	No function
		010 - 255	Dim to bright

4.1.3. Fluid Sensor

This machine has a software-based fluid sensor that is designed to protect the pump from damage. Turn on the "Fluid Sensor" to activate the "NO FLUID" protection function.

4.1.4. Auslösen des Fluid Sensors

As soon as the Fluid Sensor is switched ON, the software based "NO FLUID" protection function is activated. If the program detects that the pump is no longer pumping fluid, the pump switches off automatically and draws attention to the problem with a warning message on the display.

4.1.5. Zurücksetzen der "NO FLUID" Warnung

After the machine initiated the "NO FLUID" protection function, after refilling the fluid, there are three ways to reset the warning.

- Hold down the "Enter" key until the pump is again supplied with fluid. In this case, the machine starts to emit fog again.
- In DMX mode, drag the DMX channel assigned to the machine on the lighting console down to the value 0. Then drag the channel to the highest value (255).
- Turn off the "FLUID SENSOR" in the menu.

5. Technical data

Voltage	AC 220V-240V; 50/60Hz
power consumption max.	3100W
fuse	15A/250V
warm-up time	10 mins
LED color	RGBA
LED type	Quad Color
Power per LED	8w
number of LEDs	37 pieces
Number of inner LEDs	7 pieces
Number of outer LEDs	30 pieces
Total power of the inner LEDs	56 w
Total power of the outer LEDs	240W
tank volume	3.5 liters
range with one filling	Approximately 10 minutes
output volume	2209 m ³ /min
discharge height	12m
fluid consumption	400ml/min
Maximum Ejection Duration	10 sec
Continuous fog output	-
Horizontal orientation	YES
Inclined Orientation	YES (ensure no fluid leaks)
Vertical Alignment	YES
upside down	YES
Rigging & Trussing	YES
DMX 512	YES
Number of DMX channels	1

remote control	NO
frequency of the remote control	-
current in	P con
XLR in/out	3-pin/5-pin
Dimensions	610x315x325mm
shipping dimensions	670x410x425mm
net weight	27.5kg
shipping weight	29.5kg

6. Upside-Down mounting

- Before installation, make sure that the machine is easily accessible for maintenance work.
- Make sure the machine is installed on a structure designed for the weight.

6.1. Tank Inversion

To prevent fluid from leaking out, the tank must be turned before the upside-down assembly.

- Loosen the screws of the tank bracket
- Turn the tank holder and screw it back to the housing with the previously loosened screws.





B&K LUMITEC

2 rue Alfred Kastler
Zone Industrielle
67850 Herrlisheim - France

+33 (0) 3.88.96.80.90

+33 (0) 3.88.96.48.46

hello@bklumitec.com

www.bklumitec.com

