



## P-1000Y User Manual

**BUBBLE MACHINE**

## Table of Content

1. Safety Notes
  - 1.1 For a safe and efficient operation (S.3)
  - 1.2 Intended use of the device (S.3-7)
  - 1.3 Connection (S.8)
    - 1.3.1 Electrical connections (S.8)
2. Introduction & Features (S.9)
  - 2.1 Product description (S.9)
3. Before using (S.10)
  - 3.1 Scope of delivery
4. Operation via DMX (S.11)
5. Manual operation (S.11)
6. Operation via Remote (S.11)
7. Maintenance & Storage (S.11)  
  
Technical Data (S.12)

## 1. Safety instructions



- This device is suitable for indoor use (not outdoors) only.
- Unauthorized modifications will invalidate the warranty.
- Repairs are to carry out by skilled workers only.
- Use only fuses of the same type and original parts as spare parts.
- To avoid fire and electric shocks protect the unit from rain and humidity.

### 1.1 For a safe and efficient operation

#### **Be careful with heat and extreme temperature!**

Do not place the device in a location where it is exposed to extreme temperatures.

Operate the device only in an ambient temperature between 0°C (32°F) - 40°C (104°F). Do not expose the device to direct sunlight or heat sources.

#### **Keep away from humidity, water and dust!**

Avoid placing the device in a location with high humidity or excessive dust. Place no liquids on or near the system.

#### **Place the device on a firm ground!**

To avoid vibrations always place the device on a firm ground.

#### **Do not use chemicals for cleaning!**

Use a clean and dry cleaning rag to remove dust. Metal parts can be cleaned with a dampened cleaning rag. Before cleaning always unplug the device from the power supply.

#### **If the device is not working properly!**

If problems occur unplug the device from the power supply. The user should not try to service the device independently. All repairs and service must be performed by a qualified technician.

P-1000Y Art.Nr.:

### **Take proper care with the power cord!**

Never pull the power cord to disconnect the device from the power supply, but remove the plug with plug housing in the hand. If you do not use the device for an extended period, unplug the device from the power supply.

### **Attention!**

Damages caused by the disregard of this user manual are not to be subject to warranty. The dealer will not accept liability for any consequent secondary failures. Only skilled workers are allowed to carry out the electrical connections. All electrical and mechanical connections have to be carried out according to the European safety standards.

## **1.2 Intended use of the device**

This device was developed for professional use on stages, in discos, theatres etc. The device is only approved for a connection up to 230V 50/60 Hz alternating current and only for indoor use.

Regular breaks during operation increase the lifetime of your device.

Avoid convulsions or any form of forceful impact during the installation or the startup of the device.

Take care that no cables are lying around. You would endanger your own safety and also the safety of a third party.

It's not allowed to operate or store the device in an environment in which spray water or rain is expected. Humidity or very high atmospheric humidity could reduce the isolation of the device and could cause deadly electric shocks.

If using fog machine you have to ensure that the fog saturation of the room must allow a good visibility of at least 10m.

Operate the device not during thunderstorms. Surge voltages could destroy the device. Unplug the power supply during thunderstorms.

Surrounding objects or surfaces should not be in contact with the device.

Make sure that during the installation and removal of the device the area below the place of installation is basically cordoned off. This also applies to implementation of service.

Make familiar yourself with the functions of the device before start-up. People without the experience should not handle with the device. The most cause of functional disorder is inappropriate handling.

Keep the device away from children and never operate it unattended.

Never aim the nozzle on people and keep a distance from 50cm to the nozzle. Attention! The ejected sparks can be hot.



Keep a minimum distance of 50cm to other objects.

### **P-1000Y Art.Nr.:**

Use only the recommended, high quality granule from your dealer. Other granule may cause damages.

Never aim the nozzle on open fire or flammable objects.

Operate the unit only in a hanging position.

Never use solvents or aggressive detergents for cleaning. Use instead of this a damped cleaning rag.

To prevent damages during transport use for transport the original packing or provided accessories.

### **For reasons of safety unauthorized changes are forbidden!**

A usage of the device which differs from usages which are described in this manual can cause damages of the device. In this case the warranty expires. Additional you should notice that every different usage is related with dangers and can cause e.g. an electrical short, fire, electric shock or crash.

P-1000Y Art.Nr.:

### Overhead installation



#### **Danger to life!**

**You have to observe the regulations of BGV C1 (formerly VBG 70) and EN60598-2-17! Installations are to carry out by skilled personnel only.**

The suspension devices have to be build and measured so they can withstand for an hour the tenfold of the payload without suffering a permanent detrimental deformation.

Basically installation has to be made by using a second separate suspension. This can be e.g. a suitable net. The second suspension must be designed and attached so no part of the installation can fall down in case of failure.

During construction, reconstruction and deconstruction unnecessary stay in the range of moving areas, on lightning bridges, under elevated work stations or any other danger zones is forbidden.

The operator is obliged to the following safety-related and mechanical facilities:

- Before the first start-up or after critical changes before restarting it has to be checked by an expert
- Review in the frame of the inspection test at least all four years by an expert.
- Review by a qualified person at least once a year.

#### **How to carry out the overhead installation:**

Ideally the device should be installed outside lounge areas of people.

**Important!** Overhead installation requires a high level of experience. This includes knowledge of calculating the payload, used installation material and safety inspections of the used material and the projector whereas the required experience is not limited to this. Do not try to carry out installation yourself under any circumstances if you are not qualified. Contact a professional installer. An inappropriate installation can lead injuries and/ or damaged properties.

P-1000Y Art.Nr.:

It is not allowed to install the device in the grip area of people.

If the device may hang from the ceiling or from high beams, the use of truss systems is mandatory. The device may not be installed so it can swing freely in the room.

Please note: Crashing down items can cause serious injuries! Do not install the projector, if you doubt the safety of a possible installation form!

Before installation make sure that the mounting surface has the ability to carry the tenfold point load off the own weight of the device.

Mount the device with the mounting-bracket to your trussing system using appropriate clamp.

During overhead installation the device must be always secured by a safety rope which is designed to hold the twelvefold weight of the device. Only safety ropes with quick-release safety fastener elements may be used. Hang up the safety rope in the hole of the mounting bracket. Direct the rope over the truss or an appropriate fastening point. Hang up the end in the fastening element and tie up the locking nut. A safety rope once exposed to failing load or damaged may not be used furthermore.

**The maximum drop exceed must not exceed 20cm.**


Adjust the desired inclination angle via the mounting bracket and tighten the screw.

P-1000Y Art.Nr.:

## 1.3 Connections

### 1.3.1 Electrical connections

Connect the fixture to the mains with the enclosed power cable and plug. The earth has to be connected.

Cable (EU)	Cable (US)	Pin	International
Brown	Black	Phase	L
Blue	White	Neutral	N
Green/ Yellow	Green	Earth	

### 1.3.2 DMX connections

Make sure that you use shielded cable. 3pin cables are suitable.

### 1.3.3 DMX connection with terminator

Where the DMX cable has to run a long distance or the equipment is operated in an electrically noisy environment like a disco, for installations we recommend using a DMX terminator. This prevents corruption of the digital control signal by electrical noise. The DMX terminator is simply an XLR connector with a 120 OHM resistor between pins 2 and 3, which is then plugged into the XLR output socket of the last device in the series. Please look to the bottom drawings.



P-1000Y Art.Nr.:

## 2. Introduction & Features

Thank you for choosing the **DJ Power P-1000Y BUBBLE MACHINE**.

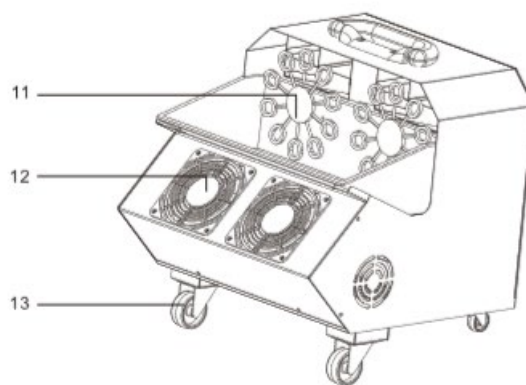
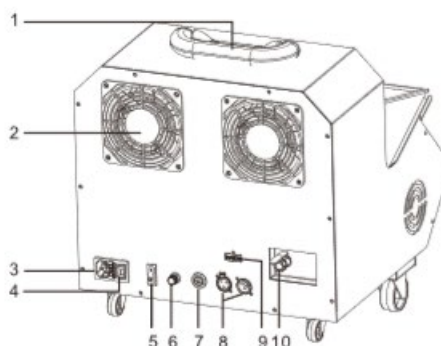
We recommend carefully reading of these operating instructions before commissioning the unit. Please follow the instructions in this manual. This is the only way to ensure safe operation, proper use and long service life.

### Features

- Belt drive to prevent motor from water damage
- Small and convenient for transportation
- Please use DJ Power Bubble Fluid only. Using other Fluid might cause damage.

### 2.1 Product description

1. Handle
2. Fan
3. Power socket
4. Power switch
5. Manual switch
6. Fan speed control
7. S5 needle socket
8. 3-pin DMX XLR socket
9. DIP switch
10. Outfall
11. Bubble bar Rotary table
12. Fan
13. Wheel



P-1000Y Art.Nr.:

### **3. Before using**

Attention!

Remove complete packing material before start-up.

1. After verifying the unit is intact and complete, place the device on a level surface.
2. Fill in appropriate Bubble Fluid.
3. Connect the device to the power supply and switch it on.
4. The device is ready for work.

#### **3.1 Scope of delivery**

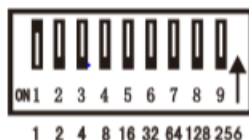
- 1x DJ Power P-1000Y
- 1x set of W-2 controller incl. a transmitter and a remote
- 1x Power cord
- User Manual

P-1000Y Art.Nr.:

#### 4. Operating via DMX

This Maschine comes with DMX 512 and works with one DMX channel.

- Value 0-5 = OFF
- Value 6-255 = ON



#### 5. Manual operation

For manual operation switch on the device. Screw the manual switch to create vivid bubbles.

#### 6. Operation via Remote

For operation via Remote switch on the device and plug in the transmitter. Press the button on the remote to create bubbles.

#### 7. Maintenance & Storage

1. Please discharge the the bubble liquid before transport or storage to avoid damages to the motor by overflow.
2. Clean up the liquid in the container with a washrag.

P-1000Y Art.Nr.:

### Technische Daten

Input Voltage & Rate	AC 220V – 240V, 50/60 Hz
Current Limiter Type	0,5A / 250V
Total Power Consumption	60W
Max Height	4m
Max Distance	8m
Fluid Consumption Rate	100min/L
Wireless Remote Controller	W-2
Tank Capacity	2,5l
N.W.	13kg
G,W,	15kg
Machine Size	434/ 384/ 405 mm
Package Size	475/ 460/ 495 mm
DMX Channel	1

IMPORTER

### **B&K LUMITEC**

2 rue Alfred Kastler  
Zone Industrielle  
67850 Herrlisheim - France

+33 (0) 3.88.96.80.90

+33 (0) 3.88.96.48.46

hello@bklumitec.com

www.bklumitec.com

