



R-6 confetti machine

Users Manual

Safety Instructions



- The warranty claim expires if the device is modified by the user.
- The device may only be repaired by trained specialists.
- Only use fuses of the same type and only original parts as spare parts.
- To prevent fire and electric shock, protect the device from rain and moisture.

Foreword

Thank you very much of choosing DJPOWER R-6 Four-Output Electric Confetti Launcher.

Before start operating, we strongly suggest you to read the user manual carefully. Following the instructions here will ensure your safety while operating the machine, easily achieve the best effect, as well as understand the right way to care for and maintain the machine, hence to prolong the product life cycle.

Introduction

R-6 is a four-output electric confetti machine with built-in pressure confetti cannon as consumables. Four confetti cannons can be installed for separate or simultaneous output. The confetti can reach 10 meters height via safe electric shock. Along with a "boom" sound, it is creating a warm atmosphere and festivity to any ceremony and performance. Built-in rechargeable batteries make it easy to work without external power source.

Features

- Compact design
- Easy floor mounting or hanging on truss;
- Various colour confetti cannons for option, plug and play, safe and convenient; Output distance: 5m for 40cm confetti cannon and 10m for 80cm confetti cannon; Support 4 pcs confetti cannons separate or simultaneous use;
- able to be daisy chained;
- Built-in lithium battery enable work without external power source, supports 100 times output once full charged;
- Built-in LCD control, wireless control and DMX control. Wireless remote controller supports remote control within 100 meters.



Safety use

- 1) Keep the fixture dry. Keep away from rain. For indoor and outdoor use.
- 2) Use grounded electrical outlet. Prior to use, make sure that unit is installed at the rated voltage.
- 3) Turn off or unplug when not using it.
- 4) This machine is not water-proof. Please keep it away from moisture and water. If moisture, water, or fluid gets inside the housing, stop using it.
- 5) No user serviceable and modifiable parts inside. Do not disassemble the housing and do any modification, otherwise it might cause damage to the unit or danger of burning.
- 6) For adult use only. Fixture must be installed out of the reach of children. Never leave the unit running unattended. Keep it away from fire, combustible and flammable materials.
- 7) Position the machine in well-ventilated area. Please leave about 50cm spaces surrounding the unit.
- 8) Please do not use the fixture under high temperature.
- 9) Please use electronic-control confetti tube from DJPOWER, it will bring you an unexpected effect.
- 10) If something wrong happen while using, please stop the fixture immediately, cut off the power, and check the fuse, power cable and power plug. If the problem could not be resolved, please contact with your dealer.

Opening the package and inspecting the machine

Please make sure the machine is in good condition after opening the package. If there is any damage, please contact with your dealer directly and do not power on the machine.

The following parts should be included when you receive the package:

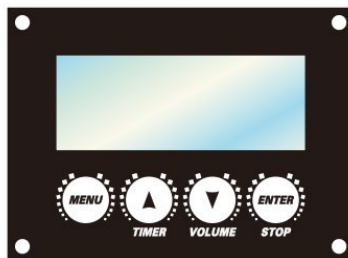
1. One R-6 Four-output Electric Confetti Launcher
2. One W-6 Wireless Remoter
3. One Power Cord
4. One User Manual

Functional Specification



This machine, equipped with internal installed lithium polymer battery, can be operated by using external power supply or internal battery. There is a indicator light. When using external power supply, machine charge the battery, the light will be red, and it will turn off when full charged. It could be controlled by wireless controller, which four buttons can control one or more nozzle freely. The maximum controlling distance is 100 meter. It also equips with DMX control, detailed operations could be found in the following instructions.

LCD Display Setup



Conditions for setting: Disconnect the DMX signal (when connecting DMX signal, LCD display could only show DMX address and support its setup. The other setting pages are invalid).

Four buttons of LCD controller:

"MENU" Function setting menu;

"UP" Increment;

"DOWN" Decrement;

"ENTER" : Enter "or" Return.

Press "MENU", there are 8 pages as follow:



- 1) When LCD shows English " Ready " ,Battery 100%
This is the first page(default page), means machine is ready to work, and the battery electric quantity is 100%;
- 2) When LCD shows English " DMX512 ADDRESS"
The second page, means setting DMX address, ranging from 1 to 512;
- 3) When LCD shows English "channel 1 set" ,Output 1
The third page, means button 1 of wireless controller controls No.1-4 nozzles; eg: If you want No.1, No.2, and No.3 to spray simultaneously, press "UP" or "DOWN" on this page to "output 123", then confirm and exit by pressing "ENTER"
- 4) When LCD shows English "channel 2 set", Output 2 The fifth page, means button 2 of wireless controller could set No.1-4 nozzles freely.
- 5) When LCD shows English "channel 3 set" ,Output 3 The fifth page, means button 3 of wireless controller could set No.1-4 nozzles freely.
- 6) When LCD shows English "channel 4 set" ,Output 4
The sixth page, means button 4 of wireless controller could set No.1-4 nozzles freely .
- 7) When LCD shows "wireless set"
The seventh page, means to turn on or off of the wireless remote control function. If you set it to "OPEN" ,the wireless control function is valid If it is "OFF", it is invalid.
- 8) When LCD shows "language" The eighth page, is to set language: Chinese or English.

After entering relative page, you can change the exiting setup by pressing "UP" and "DOWN".

DMX Control

Five DMX channels of this machine:

- Channel 1: Master switch for four nozzles. 0-10(OFF) / 11-255(ON)
- Channel 2: No.1 nozzle switch. 0-10(OFF) / 11-255(ON)
- Channel 3: No.2 nozzle switch. 0-10(OFF) / 11-255(ON)
- Channel 4: No.3 nozzle switch. 0-10 (OFF) / 11-255(ON)

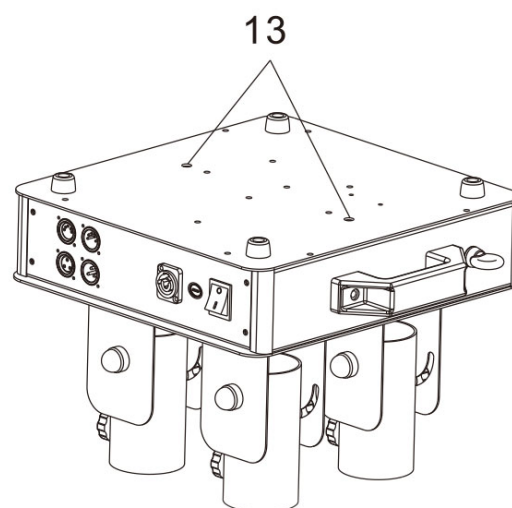
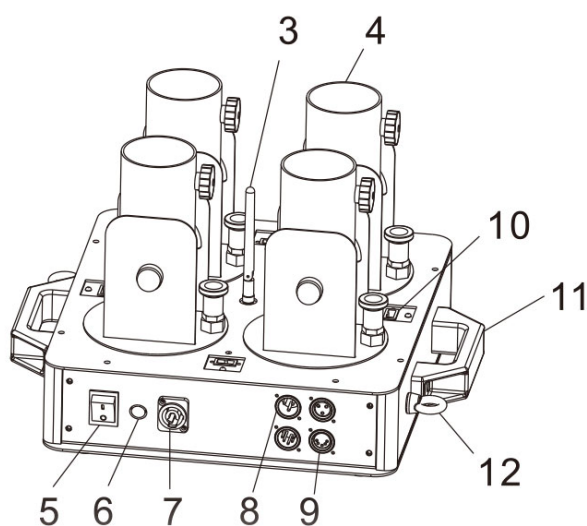
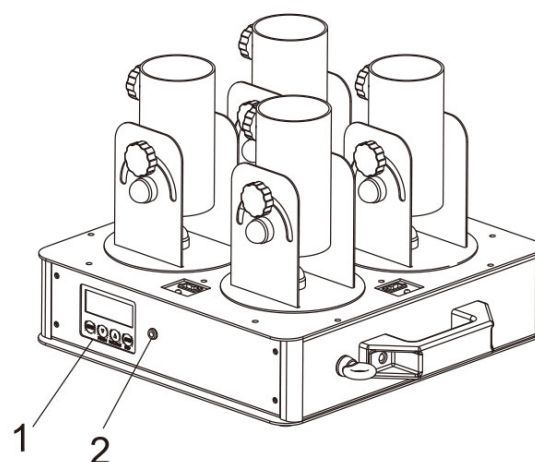
Note: Only when the first channel (master switch) is on, the other four channels could work.

Technical Specification

Input Voltage: Fuse:	AC 220-240 V/50 Hz-60 Hz or Internal installed lithium battery
Fuse:	F15A/250V
Total Power Consumption:	60 W
Controller:	W-6
DMX-512:	v
The Max Height (90°):	10 m (80 cm launcher); 5 m (40 cm launcher)
The Max Distance (45°):	10 m (80 cm launcher); 5 m (40 cm launcher)
Net Weight:	12 kg
Gross Weight:	14 kg
Machine Dimensions:	400/330/262 mm
Packing Dimensions:	465/435/275 mm
Consumable:	Confetti launcher
DMX Channel Range:	5

Diagrams

1. LCD Display
2. Charge Lamp
3. Antenna
4. Launch Tube
5. Power Switch
6. Fuse Base
7. Power Socket
8. 3-pin DMX Socket
9. 5-pin DMX Socket
10. Electric Control Socket
11. Handle
12. Hanging Ring
13. MS Bracket Hole





B&K LUMITEC

2 rue Alfred Kastler
Zone Industrielle
67850 Herrlisheim - France

+33 (0) 3.88.96.80.90

+33 (0) 3.88.96.48.46

hello@bklumitec.com

www.bklumitec.com

