



Smoke machine H-7D

Users manual

Safety Instructions



- This device is only for use in
- closed rooms (not outdoors).
- The warranty claim expires if the device is modified by the user.
- The device may only be repaired by trained specialists.
- Only use fuses of the same type and only original parts as spare parts.
- To prevent fire and electric shock, protect the device from rain and moisture..

1.1. Information for a safety use

Beware of heat and extreme temperatures!

Do not place the device in a location subject to extreme temperatures. Only operate the device in an ambient temperature between 0°C (32°F) - 40°C (104°F). Do not expose the device to direct sunlight or heat sources.

Protect the device from moisture, water and dust!

When setting up the device, avoid locations with high humidity or excessive dust. Do not place liquids on or near the system.

Always place the device on solid ground!

Place the device on a solid surface to avoid vibrations.

Do not use chemical agents for cleaning!

Use a clean, dry cloth to remove dust. Metal parts can be cleaned with a slightly damp cloth. Before cleaning the device, always pull out the mains plug!

If the device does not work properly!

If problems arise, unplug the power cord. The user should not attempt to service the device on its own. All repairs and service must be performed by a qualified technician.

Be careful with the power cord!

Never pull the mains cable to disconnect the device from the power supply, but hold the plug housing in your hand. If you do not use the device for a long period of time, pull out the mains plug

CAUTION!

The warranty claim expires in the event of damage caused by non-observance of the instructions. The manufacturer and importer assumes no liability whatsoever for consequential damage. Only qualified specialists may

establish the correct electrical connection. All electrical and mechanical connections must be installed in accordance with European safety standards

1.1. Intended use of the device

This device is a device that was developed for professional use on stages, in discotheques, theatres, etc. The device is only approved for connection to a maximum of 230V, 50/60 Hz AC voltage and is only intended for indoor use.

Regular breaks in use increase the service life of your device.

Avoid physical shock or any form of violence when installing or starting up the device.

Make sure that cables are not lying around freely. This would endanger your own safety and the safety of third parties.

The device must not be operated or stored in an environment in which splashing water, rain or moisture is to be expected. Moisture or high humidity can reduce the insulation of the device and lead to fatal electric shocks.

When using fog machines, it must be ensured that the fog saturation of the room must allow a good visibility of at least 10 m.

Do not operate the device during thunderstorms. Overvoltage could destroy the device. In the event of a thunderstorm, completely disconnect the device from the mains by pulling out the mains plug.

Surrounding objects or surfaces must not be touched by the housing.

Make sure that when assembling and dismantling the device, the area below the assembly site is cordoned off. This also applies to the performance of service work.

Familiarize yourself with the functions of the device before putting it into operation. Do not allow the device to be operated by persons who have no experience in it. The most common cause of malfunctions is improper operation of the device.

Keep the device away from children and never operate it unsupervised.

Never aim the nozzle at people and keep 50cm away from the nozzle. **ATTENTION!** The emitted mist is very hot.

Keep a minimum distance of 50cm to other objects.

Use only the recommended high quality water-based fluid from your dealer. Other fluids can cause damage. Do not use flammable additives such as oil, gas, perfumes, etc. in your fluid.

Never point the nozzle at an open flame or flammable objects.

Make sure to fill up the fluid in time. Running the machine without fluid can damage the pump and heater block. Unplug the power cord when topping up the fluid.

Never drink the fog fluid. If it did happen, contact a doctor immediately. If the fluid comes into contact with the eyes and mucous membranes, rinse the areas immediately with water.

Only operate the device in a horizontal position.

Never use solvents or aggressive cleaning agents to clean the device. Instead, use a soft, slightly damp cloth.

When transporting the device, please use the original packaging or the accessories provided to prevent transport damage.

Unauthorized changes to the device are prohibited for safety reasons!

- 1.2.** Any use of the device that deviates from the use described in these operating instructions can lead to damage to the device. In this case, the warranty claim expires. In addition, it should be noted that any other use is associated with dangers and can lead to short circuits, fire, electric shock and falls, for example.

Overhead mounting



Risk of death!

During installation, the provisions of BGV C1 (formerly VBG 70) and EN 60598-2-17 must be observed! The installation must be done exclusively by authorized specialist personnel.

The suspension devices of the device must be constructed and dimensioned in such a way that they can carry ten times the payload for one hour without causing permanent damaging deformation.

The installation must always be carried out with the help of a second, independent suspension. This can, for example, be a suitable safety net. The secondary suspension must be designed and installed in such a way that in the event of a failure of the main suspension, no part of the installation can fall.

During assembly, conversion and dismantling, staying unnecessarily in the area of movement areas, on lighting bridges, under high workplaces or in other hazardous areas is prohibited.

The commercial user has the following responsibilities for safety-related and mechanical equipment:

- Check by an expert before the first start-up or after decisive changes before the start-up again.
- Review in the scope of the acceptance test at least every four years by an expert.
- Inspection by an expert at least once a year

How to proceed with overhead attachment:

Ideally, the device should be installed outside of the area where people are.

IMPORTANT! A high level of experience is required for overhead mounting. This includes knowledge of working load calculations, knowledge of the installation material used and knowledge of safety inspections of the material used and the equipment, but the experience required is not limited to this alone. Under no circumstances should you attempt the installation yourself unless you are suitably qualified. Instead, hire a professional installer. Please note that improper installation may result in personal injury and/or property damage.

The device must not be installed within the reach of persons.

If the device is to be suspended from the ceiling or from high supports, work must be carried out with truss systems. The device must never be installed in such a way that it can swing freely in space.

Please note: Devices can cause serious injuries if they fall! If you have doubts about the safety of a possible form of installation, then do NOT install the device!

Before mounting the device, ensure that the mounting surface is capable of supporting at least ten times the point load of the device's own weight.

Mount the device with the mounting bracket on a truss system using suitable lifting gear.

When installing overhead, ensure that the device is always secured with a safety rope that can carry twelve times the weight of the device. Only safety arrester ropes with screw links are to be used. Hang the safety catch rope in the catch rope hole in the mounting bracket or on the device. Route the rope over the truss or other secure attachment point. Hook the end into the screw link and tighten the locking nut securely.


The maximum fall distance of 20 cm must not be exceeded!

A safety arrester rope that has been subjected to the stress of a fall or that has been damaged must no longer be used as a safety arrester rope. Adjust the angle of inclination using the mounting bracket and tighten the locking screws.

2. Connection

2.1.1. Electrical Connection

Connect the device to the mains using the supplied power cable! The protective earth must always be connected!

Cable (EU)	Cable (US)	Pin	International
Brown	Black	Live	L
Blue	White	Neutral	N
Green/ Yellow	Green	Earth	

2.1.2. DMX connection

Make sure you always use shielded cables. 3pin or 5pin XLR cables are suitable for this.

2.1.3. DMX connection with terminator

For installations where the DMX signal has to bridge a large distance or where the device is to be operated in an environment with increased electromagnetic radiation, such as a discotheque, we recommend using a DMX terminator. This prevents the digital control signal from being corrupted by electrical noise. The DMX terminator is simply an XLR connector with a 120Ω resistor between pins 2 and 3, which is then plugged into the XLR output jack of the last fixture in the chain.

3. Introduction

Thank you for purchasing the H-7D Fog Machine.

We recommend reading these operating instructions carefully before using the device. Please follow the instructions in this user manual. This is the only way to ensure safe operation, proper use and a long service life for the device.

The H-7 fog machine is a powerful fog machine equipped with the patented Immediate Stop technology, electronic temperature control and a new fog generator.

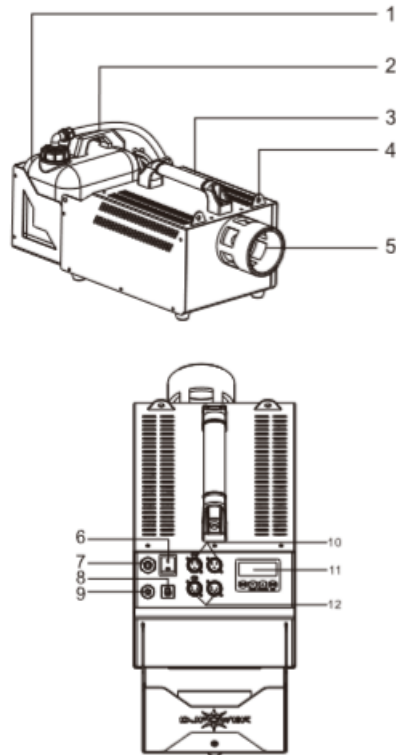
3.1. Features

- Integrated timer function with which the amount of fog can be adjusted from 1-100%.
- At 100%, the fog output is continuous for 30 seconds. At 1-10% the fog output is permanent.
- Stable and durable.
- Small and light.
- No Fluid protection.
- Patented Immediate Stop Technology
- Operation via DMX; remote control or manual.
- Please only use fog fluids from DJPower.

3.2. Scope of delivery

- 1x Fog Machine H-7D
- 1x power cable
- Operating instructions (German / English)

3.3. Product description



- 1. Fluid tank
- 2. Fluid hose
- 3. handle
- 4. Safety eyelet
- 5. Nozzle
- 6. Power switch
- 7. Fluid inlet
- 8. Backup
- 9. Power connector
- 10. XLR 3pin INPUT/OUTPUT
- 11. Screen
- 12. XLR 5pin INPUT/OUTPUT

4. First use

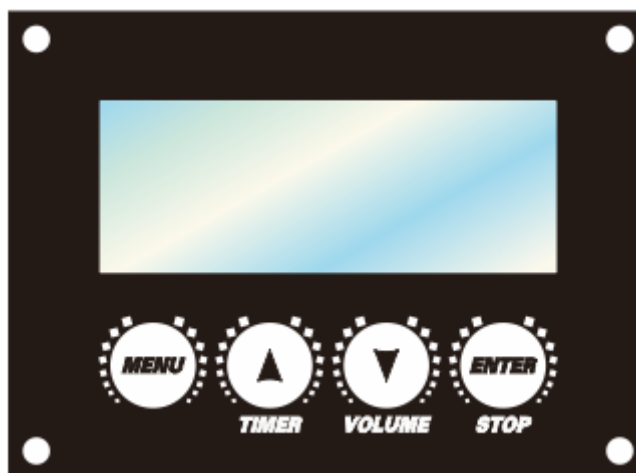
ATTENTION!

Before using the device for the first time, remove all packaging materials.

1. After checking that the device is intact and complete, please place it on a level surface.
2. Fill the tank with fluid! Please only use the recommended fluid, otherwise the device may be damaged and the guarantee will be void.
3. Make sure that there is always enough fluid in the tank.
4. Connect the device to the mains.
5. The device starts to heat up. This process takes 4 minutes, during which time the display shows "Warming up".
6. The heating process is complete. "Ready TO Heat" appears on the display.

4.1. Control

It is operated via the display, the remote control or via DMX.



MENU	Calling up the menu structure to make individual settings.
UP / TIMER	Select a menu item or increase a value. Activate the timer.
DOWN / VOLUME	Select a menu item or decrease a value. Start manual ejection.
ENTER / STOP	Confirm the selection or the setting made. Stop manual ejection.

4.1.1. Menu

Menu	Setup	Function
Interval set	5 – 200s	Here you can set the interval for the timer function.
duration set	5 – 200s	Here you can set the ejection duration for the timer function.
timer out	1 – 100%	Here you can set the output quantity for the timer function.
volume out	1 – 100%	Here you can set the output quantity for manual fog output.
DMX512 ADD	1 – 512	Setting the DMX address.

4.1.2. DMX Table

If the device is controlled with a DMX signal, the display shows the set DMX address.

Channel	Value start	Value end	Function
1	0	5	No function
	6	255	fog output

5. Technische Daten

tension	AC 220V-240V; 50/60Hz
power consumption max.	2500W
fuse	15A/250V
heating capacity	2300W
warm-up time	9 minutes
tank volume	5 liters
output volume	1699 m ³ /min
DMX 512	Yes
Number of DMX channels	1
remote control	no
frequency of the remote control	-
current in	P con
XLR in/out	3-pin/5-pin
Dimensions	595x243x250mm
weight	16kg



Importer:

B&K LUMITEC

2 rue Alfred Kastler
Zone Industrielle
67850 Herrlisheim - France

+33 (0) 3.88.96.80.90

+33 (0) 3.88.96.48.46

hello@bklumitec.com

www.bklumitec.com

