

IRIDIUM

Show Light 310 CW+WW

IMPORTER

B&K LUMITEC

2 rue Alfred Kastler
Zone Industrielle
67850 Herrlisheim - France

+33 (0) 3.88.96.80.90

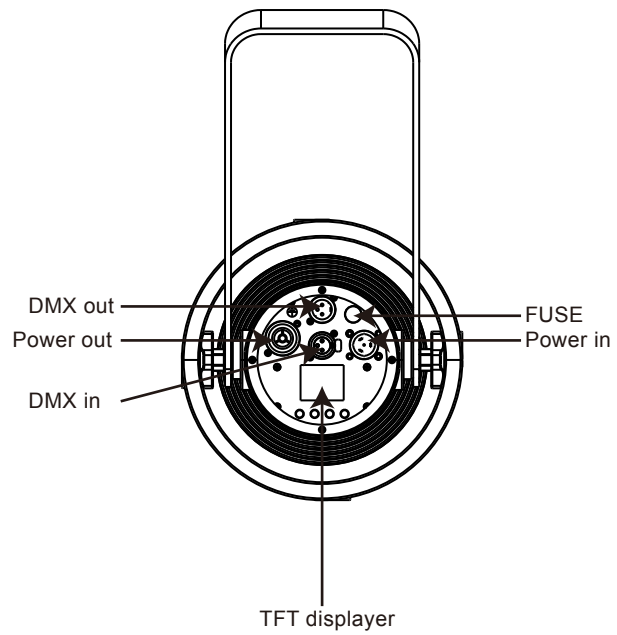
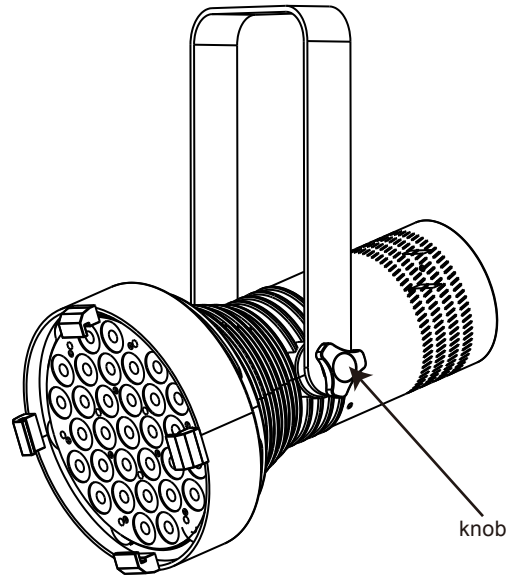
+33 (0) 3.88.96.48.46

hello@bklumitec.com

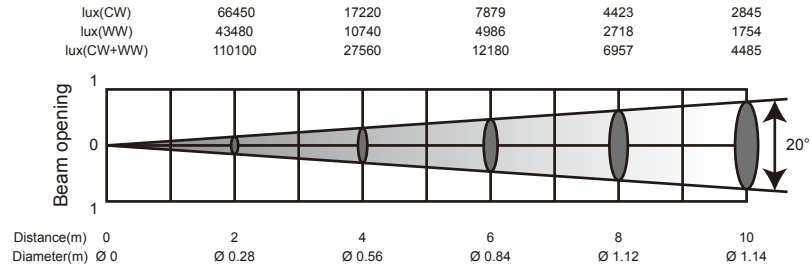
www.bklumitec.com



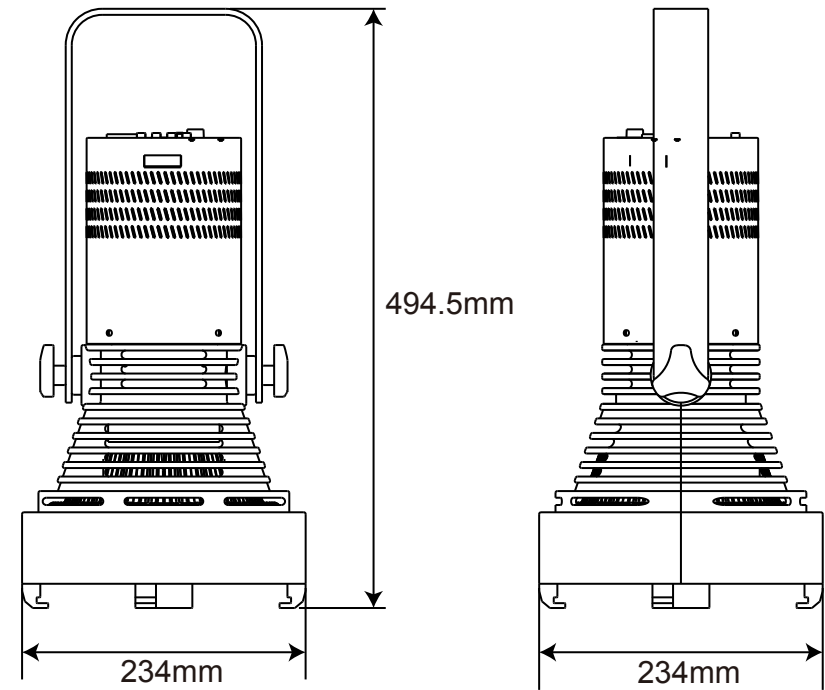
Product Overview



Photometric Data



Mechanical Specification



Packaging: Thanks for your purchasing the SHOW LIGHT 310 CW+WW. All the lights have been checked and are in excellent operating condition. Please check the shipping carton first. Because there maybe damage occurred during the shipment. Then check the lights carefully and be sure that the light is intact and works normally. In the event damage has been found, spare parts are missing or the lights works abnormally, please contact us for further instructions. And please don't return the light to the dealer before contacting us.

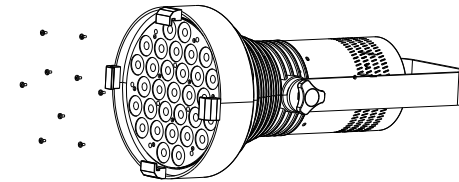
Introduction: The SHOW LIGHT 310 CW+WW has three operating modes: DMX mode, Auto mode and Master/Slave. And the light has four DMX unit, including 2 channel, 3 channel, 4 channel and 6 channel. There are five built-in Auto programs and you can see five kinds of shows when you open the Auto mode, and the others are in Master/Slave mode. And then all the lights in Master/Slave mode will run following the one in Auto mode. Using fog or special effect smoke, you can see better showing effect.

Warning!

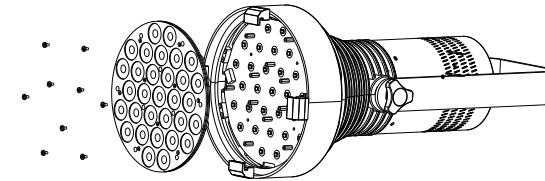
1. Don't expose the lights to rain or moisture, for the sake of preventing the risk of electrical shock or fire.
2. Don't look directly at the opening lights all the time, or it may damage your eyes.

Change LED board

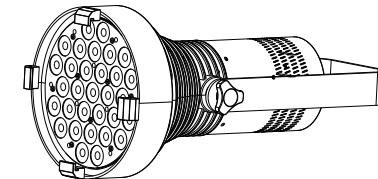
1. Remove the nine screws on the light panel with a screwdriver.



2. Take down the whole light panel.



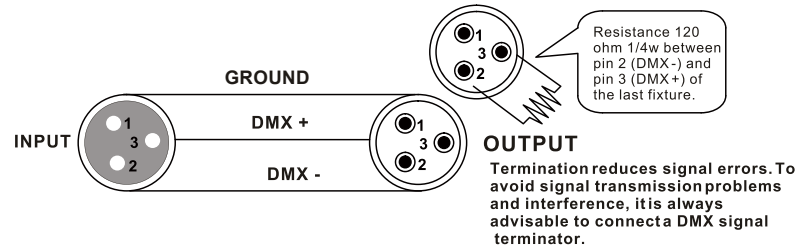
3. And then install the whole light panel of 25 degree.



CABLE CONNECTORS

Cabling must have a male XLR connector on one end and a female XLR connector on the other end.

DMX connector configuration



caution: Do not allow contact between the ground and the fixture's chassis ground. Grounding the ground can cause a ground loop, and your fixture may perform erratically. Test cables with an ohm meter to verify positive pole and to make sure the pins are not grounded or shorted to the shield or each other.

3-PIN TO 5-PIN CONVERSION CHART

Note! If you use a controller with a 5 pin DMX output connector, you need to use a 5 pin to 3 pin adapter. The chart below details a proper cable conversion:

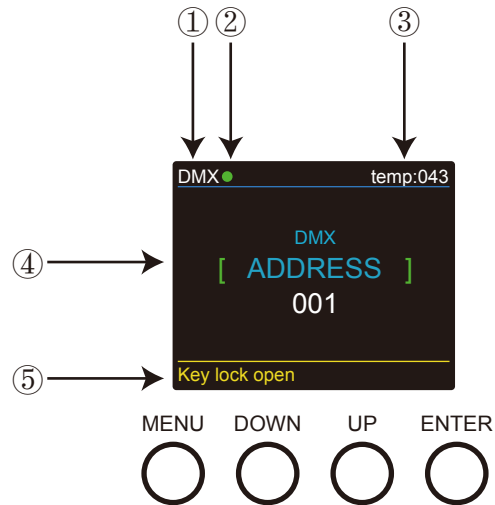
3-PIN TO 5-PIN CONVERSION CHART

Conductor	3 Pin Female (output)	5 Pin Male (Input)
Ground/Shield	Pin 1	Pin 1
Data (-) signal	Pin 2	Pin 2
Data (+) signal	Pin 3	Pin 3
Do not use		Do not use
Do not use		Do not use

Features

- Light Source: 31*10W CW/WW LEDs
- Lens: 20°
- Power consumption: 350W
- Voltage: 100V-240V, 50/60Hz
- Run Mode: DMX 512/Master Slave/Auto Run
- 4 different dimming curve
- Maximum 66 ID setng for easy separate control
- DMX Channels: 2, 3, 4 & 6CH
- Built-in Effect: color mixing, variable color chasing, strobing and fading.
- TFT displayer with four buttons
- Material: Aluminum body
- IP20
- Temperature: -30°C-45°C
- Dimension: 234×494.5 mm
- N.W. : 6.4 KG
- G.W. : 7.8 KG

Displayer introduction



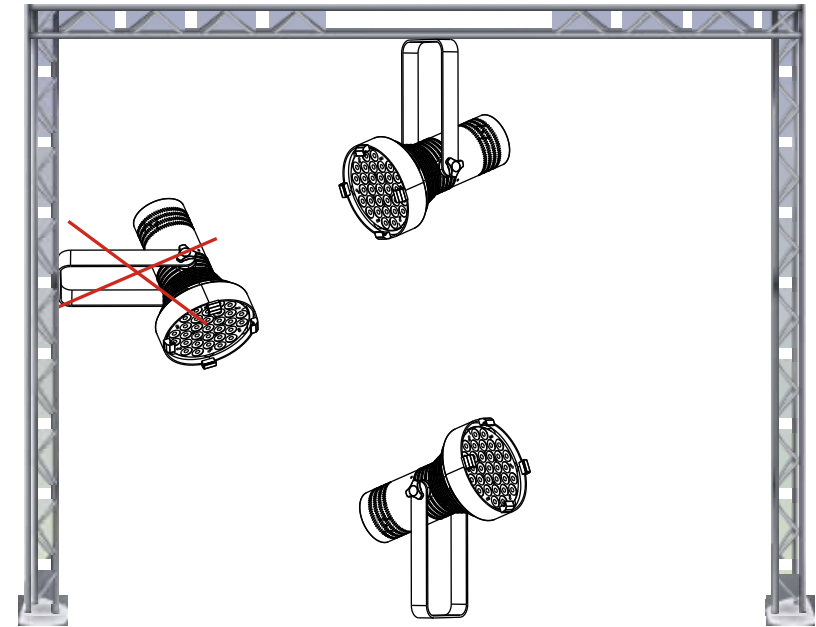
1. DMX means the light is in the DMX mode. Similarly, SLAVE means the light is in the SLAVE mode.
2. The color of the point shows the condition of signal transmission. Green represents the good condition, while red represents the signal is interrupted.
3. The item shows the working temperature of the light. When the working temperature exceeds the max temperature, the color of the letters and number will change from white to yellow.
4. This item shows the menu you selected.
5. This item shows the condition of key lock. "Key lock open" means the key lock is open. And "Key lock off" means the key lock is close.

Mounting

When installing the unit, the trussing or area of installation must be able to hold 10 times the weight without any deformation. When installing the unit must be secured with a secondary safety attachment, e.g. and appropriate safety cable. Never stand directly below the unit when mounting, removing, or servicing the unit.

Overhead mounting requires extensive experience, including calculating working load limits, installation material being used, and periodic safety inspection of all installation material and unit. If you lack these qualifications, do not attempt the installation yourself.

The installation should be checked by a skilled person once a year.



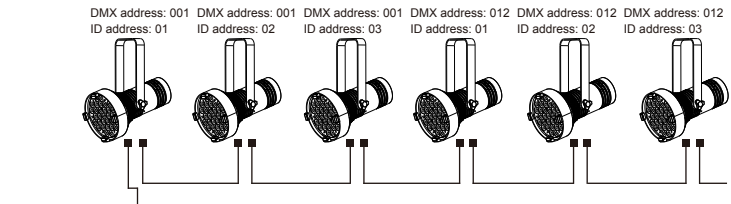
The Inno Pocket Spot is fully operational in two different mounting positions, hanging upside-down from a ceiling or set on a flat level surface. To avoid internal damage to the unit, never mount the unit on its side as illustrated above. Be sure this fixture is kept at least 0.5m away from any flammable materials (decoration etc.). And you'd better use and install the supplied safety cable as a safety measure to prevent accidental damage and/or injury in the event the clamp fails (see next page).

Channel 6 (Id address set)

0--9	all lds	170--179	ld17	223	ld34	240	ld51
10--19	ld1	180--189	ld18	224	ld35	241	ld52
20--29	ld2	190--199	ld19	225	ld36	242	ld53
30--39	ld3	200--209	ld20	226	ld37	243	ld54
40--49	ld4	210	ld21	227	ld38	244	ld55
50--59	ld5	211	ld22	228	ld39	245	ld56
60--69	ld6	212	ld23	229	ld40	246	ld57
70--79	ld7	213	ld24	230	ld41	247	ld58
80--89	ld8	214	ld25	231	ld42	248	ld59
90--99	ld9	215	ld26	232	ld43	249	ld60
100--109	ld10	216	ld27	233	ld44	250	ld61
110--119	ld11	217	ld28	234	ld45	251	ld62
120--129	ld12	218	ld29	235	ld46	252	ld63
130--139	ld13	219	ld30	236	ld47	253	ld64
140--149	ld14	220	ld31	237	ld48	254	ld65
150--159	ld15	221	ld32	238	ld49	255	ld66
160--169	ld16	222	ld33	239	ld50		

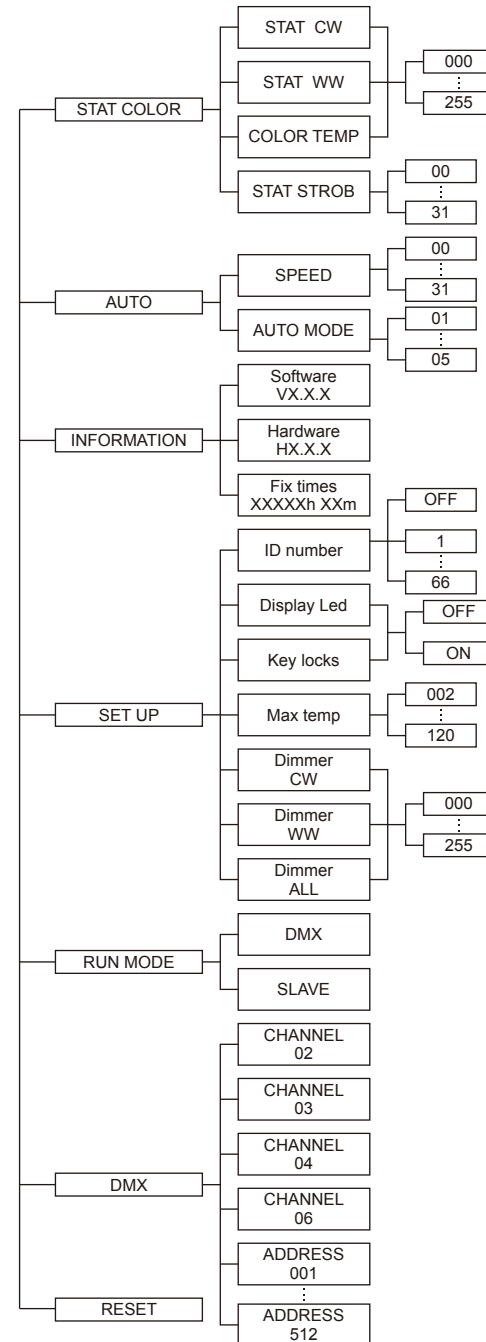
DMX-512 addressing with ID address

1. Follow instructions 1 for DMX 512 addressing.
 2. Activate ID addressing in each fixture by setting panel function "ID ON/OFF" to ON.
- "Settings" to "ID ON/OFF" to "ON" For every DMX 512 starting address the user can set 66 separate ID addresses. Set ID addresses in each fixture by setting panel function " ID address" to incremental values.(l.e. 1, 12, 24, 36 etc...) "Settings" to "address" to "01~66".



The figure above shows a simple DMX layout which has used three units at each DMX address. The three units have different ID addresses which allows the user to collectively control the whole group of units at that DMX address by setting Channel 10 to 0, or to control each unit independently by first selecting the DMX address and then by using Channel 11 to locate the target ID address. (Note that when using ID addresses it is also possible to activate ADAS which allows for even more option with DMX addressing and control.

Programme Menu



STAT COLOR-In this menu, you can adjust the value of static color and strobe speed as you like.

1. Press “ENTER” button and then UP or DOWN button until “STAT COLOR” is showed.
2. Press “ENTER” button, and there are six options. Then press ENTER to select the option and press UP or DOWN button to select the value you desire as below:
 - 1) Dimmer CW - You can adjust the CW brightness in this menu.
 - 2) Dimmer WW - You can adjust the WW brightness in this menu.
 - 2) COLOR TEMP - You can adjust 3200K – 6500K color temperature about the light in this menu.
 - 3) STAT STROB - You can adjust the strobe speed in this menu

AUTO-In this menu, you can select your desire AUTO mode and adjust the running speed.

1. Press “ENTER” button and then UP or DOWN button until “AUTO” is showed.
2. Press “ENTER” button, and “SPEED” or “AUTO MODE” will be showed. Then press ENTER, and you can see two items as below:
 - 1) SPEED - You can select your desired speed in this menu.
 - 2) AUTO MODE - You can select your desired auto mode in this menu.

INFORMATION-In this menu, you can learn about the information of software, hardware and the working time of the light.

1. Press “ENTER” button and then UP or DOWN button until “INFORMATION” is showed.
2. Press “ENTER” button, and “Software” “Hardware” or “Fix times” will be showed. Then press ENTER, and you can see three items as below:
 - 1) Software - This item displays the Software information.
 - 2) Hardware - This item displays the Hardware information.
 - 3) Fix times - This item displays the working hours about the light.

SET UP-In this menu, you can adjust the value of the the function.

1. Press “ENTER” button and then UP or DOWN button until “SET UP” is showed.
2. Press “ENTER” button, and there will be seven options. Then, press ENTER to select the option and press UP or DOWN button to select the value you desire as below.
 - 1) ID number - You can select an ID Number in this menu. Then, you can adjust the value of channel 11 to the corresponding scope and control the light individually with control console.
 - 2) Display Led - In this item, you can select “ON” or “OFF”. If you select ON, the display will be on all the time. And if you select OFF, the display will extinguish about ten seconds later.
 - 3) Key locks - You can select whether the password is on or off in this menu, and the password is [DOWN] + [UP] + [DOWN] + [UP]. If you select “on”, then you have to input the password before pressing the buttons. Otherwise, the light won’t respond to your order.
 - 4) Max temp - You can set the your desired Max working temperature about the light in this menu. When the working temperature of the light exceeds the Max temperature, the color of letter “Temp xx” showed in the menu will change from white to yellow. Meanwhile, the light will adjust the working temperature automatically.
 - 5) Dimmer CW - You can adjust the CW brightness in this menu.
 - 6) Dimmer WW - You can adjust the WW brightness in this menu.
 - 7) Dimmer ALL - You can adjust the brightness of each color in this menu.

RUN MODE-In this menu, you can select DMX mode or SLAVE mode. In SLAVE mode, you can select one light as the MASTER light and other lights in SLAVE mode will run following the MASTER light.

1. Press “ENTER” button and then UP or DOWN button until “RUN MODE” is showed.
2. Press “ENTER” button, and “DMX” or “SLAVE” will be showed, then press ENTER to select your desired mode.

DMX-In this menu, you can connect several pieces of lights with DMX cable and control them with control console.

1. Press “ENTER” button and then UP or DOWN button until “DMX ” is showed.
2. Press “ENTER” button, and “CHANNEL” or “ADDRESS” will be showed. Then press ENTER.
 - 1) “Channel [xx]” will be showed, “X” represents the showed DMX channel mode. You can press the UP or DOWN button to select your desired Channel mode.
 - 2) “xxx” will be showed, “x” represents the showed address. You can press the UP or DOWN button to select your desired address.

RESET-In this menu, you can reset all the value of the system.

1. Press “ENTER” button and then UP or DOWN button until “RESET” is showed.
2. Press the ENTER button to reset all the value of the system

DMX control mode

DMX 2 channel

channel	value	function
1	0 - 255	Adjust CW All LED dimmer
2	0 - 255	Adjust WW All LED dimmer

DMX 3 channel

channel	value	function
1	0	Off
	1 - 255	Master dimmer
2	0 -255	Adjust CW All LED dimmer
3	0 -255	Adjust WW All LED dimmer

DMX 4 channel

channel	value	function
1	0	Off
	1 - 255	Master dimmer
2	0 -255	Adjust CW All LED dimmer
3	0 -255	Adjust WW All LED dimmer
4	0 -255	Adjust 3200K – 6500K color temperature

DMX 5 channel

channel	value	function
1	0 -255	Adjust CW All LED dimmer
2	0 -255	Adjust WW All LED dimmer
3	0 -8	No function
	9 -255	strobe from slow to fast
4	0	Default
	9—50	Auto 1
	51—100	Auto 2
	101—150	Auto 3
	151—200	Auto 4
	201 -255	Auto 5
5	0 -255	Auto mode speeds