

**djv** <sup>STAGE EFFECTS</sup> <sup>®</sup>  
BY **DJPOWER** <sup>®</sup>



# Nebelmaschine DF-V6C

USERS MANUAL

---

## Table of contents

- 1. Safety instructions ..... 3
  - 1.1. For safe and efficient operation..... 3
- 2. Intended use of the device ..... 4
  - 2.1. Electrical connections ..... 5
- 3. Introduction ..... 6
  - 3.1. Item delivered ..... 6
  - 3.2. Product description ..... 6
- 4. Start-up ..... 7
  - 4.1. Bedienung..... 7
    - 4.1.1. Structure of the menu ..... 7
    - 4.1.2. DMX chart ..... 8
    - 4.1.3. Wireless Remote ..... 8
- 5. Technical data ..... 9

## 1. Safety instructions



- This device is suitable for indoor use (not outdoors) only.
- Unauthorized modifications will invalidate the warranty.
- Repairs are to carry out by skilled workers only.
- Use only fuses of the same type and original parts as spare parts.
- To avoid fire and electric shocks protect the unit from rain and humidity.

### 1.1. For safe and efficient operation

#### **Be careful with heat and extreme temperatures!**

Do not place the device in a location where it is exposed to extreme temperatures.

Operate the device only in an ambient temperature between 0°C (32°F) - 40°C (104°F). Do not expose the device to direct sunlight or heat sources.

#### **Keep away from humidity, water and dust!**

Avoid placing the device in a location with high humidity or excessive dust. Place no liquids on or near the system.

#### **Place the device on a firm ground!**

To avoid vibrations always place the device on a firm ground.

#### **Do not use chemicals for cleaning!**

Use a clean and dry cleaning rag to remove dust. Metal parts can be cleaned with a dampened cleaning rag. Before cleaning always unplug the device from the power supply.

#### **If the device is not working properly!**

If problems occur unplug the device from the power supply. The user should not try to service the device independently. All repairs and service must be performed by a qualified technician.

#### **Take proper care with the power cord!**

Never pull the power cord to disconnect the device from the power supply, but remove the plug with plug housing in the hand. If you do not use the device for an extended period, unplug the device from the power supply.

#### **ATTENTION!**

Damages caused by the disregard of this user manual are not subject to warranty. The dealer will not accept liability for any consequent secondary failures. Only skilled workers are allowed to carry out the electrical connections. All electrical and mechanical connections have to be carried out according to the European safety standards.

---

## 2. Intended use of the device

This device was developed for professional use on stages, in discos, theatres etc. The device is only approved for a connection up to 230 V 50/60 Hz alternating current and only for indoor use.

Regular breaks during operation increase the lifetime of your device.

Avoid convulsions or any form of forceful impact during the installation or the start up of the device.

Take care that no cables are lying around. You would endanger your own safety and also the safety of a third party.

It is not allowed to operate or store the device in an environment in which spray water or rain is expected. Humidity or very high atmospheric humidity could reduce the isolation of the device and could cause deathly electric shocks.

If using fog machine you have to ensure that the fog saturation of the room must allow a good visibility of at least 10m.

Operate the device not during thunderstorms. Surge voltages could destroy the device. Unplug the power supply during thunderstorms.

Surrounding objects or surfaces should not be in contact with the device.

Make sure that during the installation and removal of the device the area below the place of installation is basically cordoned off. This also applies to implementation of service.

Make familiar yourself with the functions of the device before start-up. People without the experience should not handle with the device. The most cause of functional disorder is inappropriate handling.

Keep the device away from children and never operate it unattended.

Never aim the nozzle on people a keep a distance from 50 cm to the nozzle. ATTENTION. The ejected fog is very hot!

Keep a minimum distance of 50 cm to other objects.

Use only the recommended, high quality water-based fluid from your dealer. Other fluids may cause damages. Do not use flammable additives, such as oil, gas, perfumes, etc. in your fluid.

Never aim the nozzle on open fire or flammable objects.

Make sure to top off the fluid in time. If the machine operated without fluid it can cause damages to the pump or the heating block. Before top off the fluid please unplug the device from the power supply.

Never drink the fluid. If it does happen, please contact a doctor. If the fluid had contact with the eyes or mucous membranes, rinse immediately with water bodies.

Operate the unit only in a horizontal position.

Never use solvents or aggressive detergents for cleaning. Use instead of this a dampened cleaning rag.

To prevent damages during transport use for transport the original packing or provided accessories.

**For reasons of safety unauthorized changes are forbidden!**

A usage of the device which differs from usages which are described in this manual can cause damages of the device. In this case the warranty expires. Additional you should notice that every different usage is related with dangers and can cause e.g. an electrical short, fire, electric shock or crash.

## 2.1. Electrical connections

Connect the fixture to the mains with the enclosed power cable and plug. The earth has to be connected.

Cable (EU)	Cable (US)	Pin	International
Brown	Black	Live	L
Light blue	White	Neutral	N
Yellow/Green	Green	Earth	

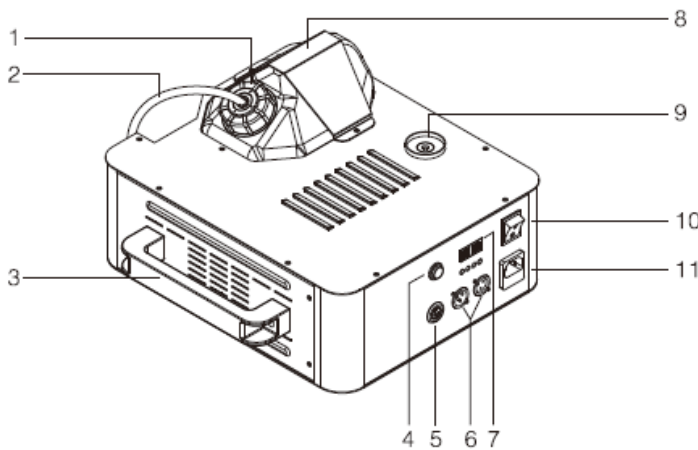
### 3. Introduction

Thank you for choosing a device from DJPower. Before usage please read this manual carefully.

#### 3.1. Item delivered

- 1x Fog machine DF-V6C
- 1x Power cord IEC
- 1x Remote W-2
- 1x Receiver KT-1
- Manual (German / English)

#### 3.2. Product description



1. Tank
2. Fluid tube
3. Handle
4. Fog button
5. Remote Wireless INPUT
6. XLR 3pol INPUT / OUTPUT
7. Display Tank baffle
8. Nozzle
9. On / Off Switch
10. Power supply IEC

## 4. Start-up

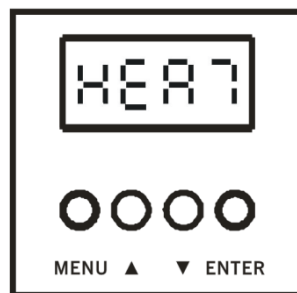
Attention!

Remove before start-up every packing material.

1. Fill the tank with fluid. Make sure that there is always enough fluid in the tank.
2. Connect the device to the power supply and switch it on.
3. The device starts to heat up. This process needs 4 min, meanwhile the display shows „HEAT“.
4. The heating process is finished. The display shows „Addr“.

### 4.1. Bedienung

The operation can be made by the display, manual by using the fog button or with remote.



MENU	For call-up the structure of the menu and set the DMX value.
UP	Increase a value.
DOWN	Decrease a value.
ENTER / STOP	Confirm the setting.

#### 4.1.1. Structure of the menu

Menu	Setting	Function
Addr	0 – 512	Setting the DMX address.

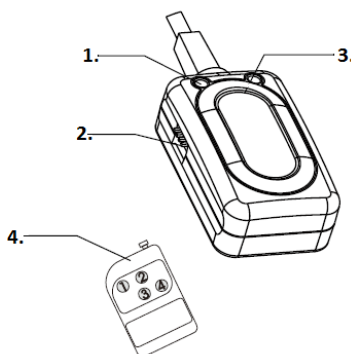
### 4.1.2. DMX chart

If the device is controlled by DMX the display shows the set DMX address.

Channel	Value from	Value to	Function
1	0	9	No function
	10	255	Output volume low - high

### 4.1.3. Wireless Remote

Connect the receiver with the device by using the INPUT "Wireless Controller". If you want to use several devices you can assign up to 4 devices to one remote, by using the receivers.



#### 2. Dipswitches

You can assign the receiver to different buttons or channels of the remote. CH1 (Dipswitch 1: On; Dipswitch 2 -4: Off); CH2 (Dipswitch 2: On, Dipswitch 1, 3 - 4: Off); CH3 (Dipswitch 3: On, Dipswitch 1 - 2,4: Off); CH4 (Dipswitch 4: On, Dipswitch 1- 3: Off).

#### 2. Fog button 1- 4

With the buttons CH1 - CH4 you can activate the fog output. Before this you have to assign the receivers to the different buttons.



## 5. Technical data

<b>Voltage</b>	AC 220 V – 240 V; 50/60 Hz
<b>Power consumption max.</b>	1350W
<b>Fuse</b>	8A/250 V
<b>Heating power</b>	1350 W
<b>Heating time</b>	4 min
<b>Tank volume</b>	2,5 Liter
<b>Output volume</b>	850 m <sup>3</sup> /min
<b>Fluid consumption @100%</b>	149 ml/min
<b>DMX512</b>	Yes
<b>Number of DMX channels</b>	1
<b>Remote</b>	Yes
<b>Frequency off he remote</b>	433 MHz
<b>Power in</b>	IEC
<b>Dimensions</b>	366 x 340 x 195 mm
<b>Weight</b>	7 kg









**B&K LUMITEC**

2 rue Alfred Kastler  
Zone Industrielle  
67850 Herrlisheim - France

+33 (0) 3.88.96.80.90

+33 (0) 3.88.96.48.46

[hello@bklumitec.com](mailto:hello@bklumitec.com)

[www.bklumitec.com](http://www.bklumitec.com)

