

IRIDIUM

User manual

Code 113886

Arc Mini Wash - Control Box

GEMAR LUMITEC

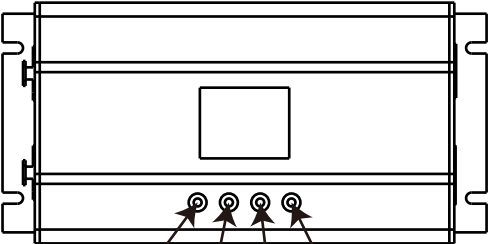
GEMAR LUMITEC SAS
13 Rue Alfred Kastler – ZI
FR- 67850 HERRLISHEIM
Tel: 03.88.96.80.90
Fax: 03.88.96.48.46
E-Mail: dworschak@gemarlumitec.fr
Web: www.gemarlumitec.fr



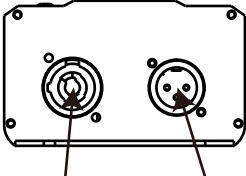
Please read carefully before use

Please Note: Specifications and improvements in the design of this unit and this manual are subject to change without any prior written notice.

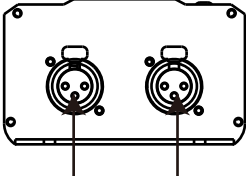
1.Product Overview



MENU DOWN UP ENTER

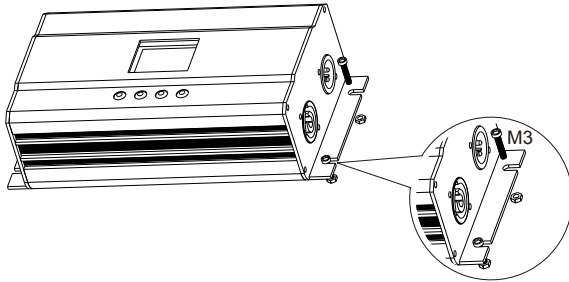


POWER IN POWER OUT

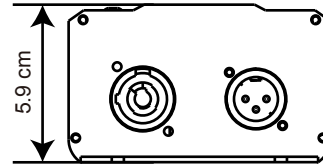
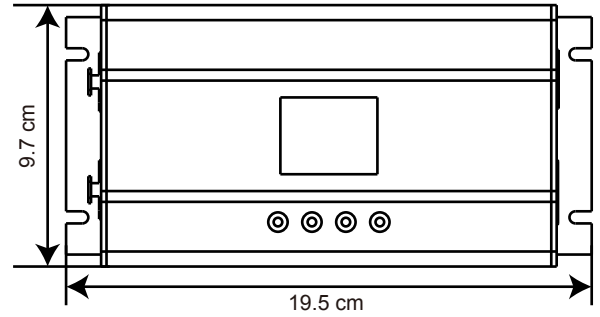


DMX IN DMX OUT

10.Installation



2.Mechanical Specification



3.Introduction

The AC02 is a control box with the light controller. Its color is black in the plastic material. And the power supply unit is provided by the external switching power supply. The protection class reach the "IP20". The control box is used in the -20°c~40°c. So, it can be installed indoor environment. AC02 has won many certifications, including the CE, ROHS, 3C and so on. Besides, it can control the light through the console.

Power Set Up

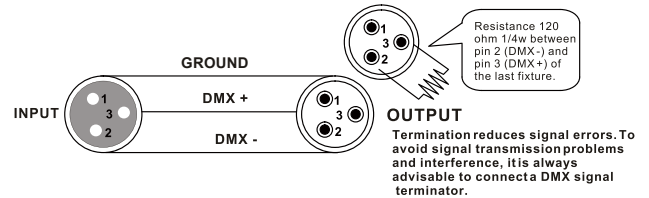
Your cables should be made with a male and female connector on either end of the cable. Also remember that power cable must be daisy chained and cannot be split.

Notice: Be sure to follow figures two and three when making your own cables. Do not use the ground lug on the XLR connector. Do not connect the cable's shield conductor to the ground lug or allow the shield conductor to come in contact with the XLR's outer casing. Grounding the shield could cause a short circuit and erratic behavior.

9.CABLE CONNECTORS

Cabling must have a male XLR connector on one end and a female XLR connector on the other end.

DMX connector configuration



caution: Do not allow contact between the ground and the fixture's chassis ground. Grounding the ground can cause a ground loop, and your fixture may perform erratically. Test cables with an ohm meter to verify positive pole and to make sure the pins are not grounded or shorted to the shield or each other.

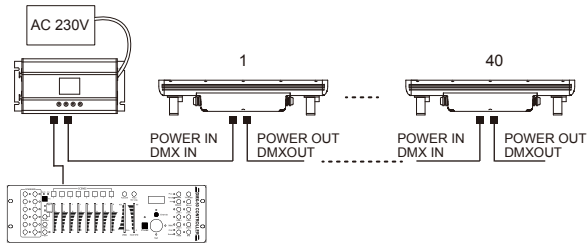
3-PIN TO 5-PIN CONVERSION CHART

Note! If you use a controller with a 5 pin DMX output connector, you need to use a 5 pin to 3 pin adapter. The chart below details a proper cable conversion:

3-PIN TO 5-PIN CONVERSION CHART

| Conductor | 3 Pin Female (output) | 5 Pin Male (Input) |
|-------------------|-----------------------|--------------------|
| Ground/Shield | Pin 1 | Pin 1 |
| Data (-) signal | Pin 2 | Pin 2 |
| Data (+) signal | Pin 3 | Pin 3 |
| Do not use | | Do not use |
| Do not use | | Do not use |

DMX connection

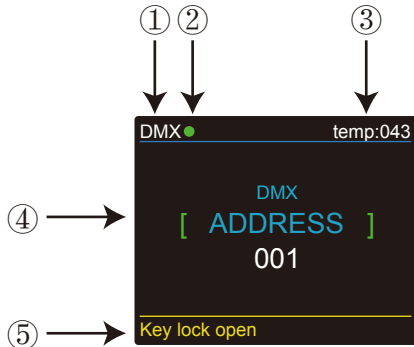


Connect 40units lights with controller, set all channels are same.

4. Technical data

- Material: Plastic
- Colour: Black
- Max Power: 5W
- Input voltage: DC 110-230V
- Control Channels: 1,3,4,7 channel
- Power supply unit: External switching power supply
- Electronically reversible: Radio Remote
- Connection: Power input and output, DMX 3 pin XLR input and output
- Protection class: IP20
- Working temperature: -20°C~40°C
- Installation: Indoor environment
- Dimensions: 169×97×58.2mm
- N.W.: 0.6kg

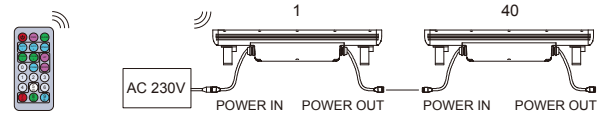
5. Displayer introduction



1. DMX means the light is in the DMX mode. Similarly, SLAVE means the light is in the SLAVE mode.
2. The color of the point shows the condition of signal transmission. Green represents the good condition, while red represents the signal is interrupted.
3. The item shows the working temperature of the light. When the working temperature exceeds the max temperature, the color of the letters and number will change from white to yellow.
4. This item shows the menu you selected.
5. This item shows the condition of key lock. "Key lock open" means the key lock is open. And "Key lock off" means the key lock is close.

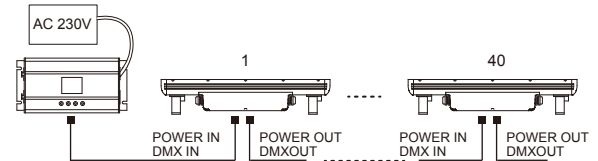
8. POWER CONNECTION

Remote control



Connect 40 units lights with controller, set one light on , or , other 39 lights set it SLAVE-RUN.

Control box connection



Connect 40 units lights with controller.

Press the MENU button and Up button or Down button until or is showed, then press ENTER. And you will see two items.



The lights will be showed in the same effect.

2) Different

The lights will be showed in the different effects.

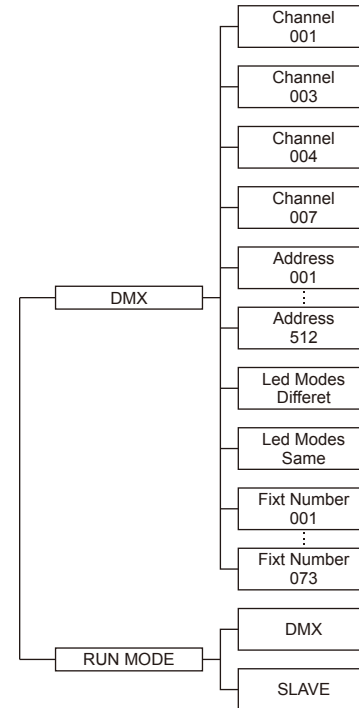
When the different is showed, you need select the 3 channels.

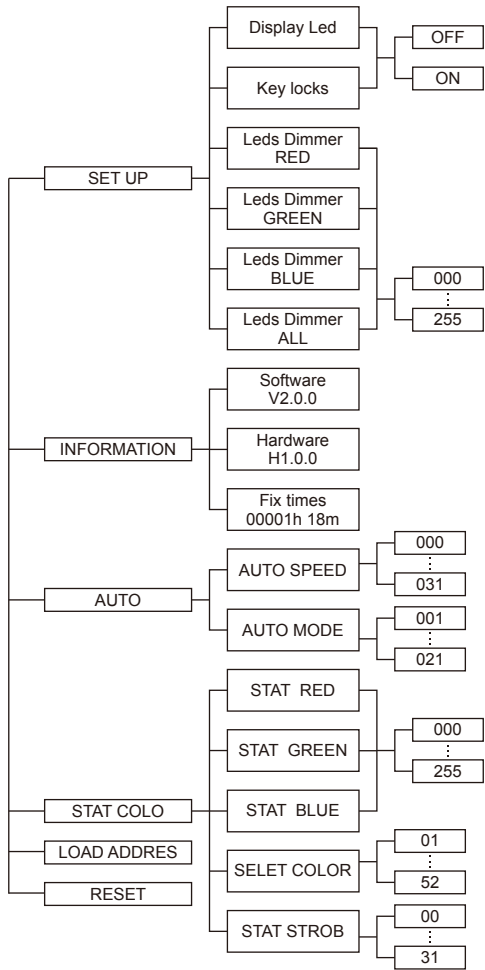
1) Press the MENU button and UP button or DOWN button until is showed, then press ENTER.

2) now is showed, then you can press the ENTER until "WAIT ONE FIX" is displayed.

6.Programme Menu

| | |
|-----------|------------------------|
| 108 - 111 | magenta 2 |
| 112 - 115 | blue 2 |
| 116 - 119 | med blue green |
| 120 - 123 | dark blue |
| 124 - 127 | bright pink |
| 128 - 131 | medium blue |
| 132 - 135 | golden amber |
| 136 - 139 | deep golden amber |
| 140 - 143 | pale lavender |
| 144 - 147 | apricot |
| 148 - 151 | dark lavender |
| 152 - 155 | chocolate |
| 156 - 159 | just blue |
| 160 - 163 | surprise pink |
| 164 - 167 | scarlet |
| 168 - 171 | surprise peach |
| 172 - 175 | fire |
| 176 - 179 | english rose |
| 180 - 183 | mauve |
| 184 - 187 | bright blue |
| 188 - 191 | alice blue |
| 192 - 195 | rose indigo |
| 196 - 199 | urban blue |
| 200 - 203 | cool blue |
| 204 - 207 | Light salmon |
| 208 - 211 | mayan sun |
| 212 - 215 | cherry rose |
| 216 - 219 | flesh pink |
| 220 - 223 | skelton exotic sangria |
| 224 - 255 | amber |





DMX 7 channel

| channel | value | function |
|-----------|------------|---------------------------|
| 1 | 0 - 255 | Master dimmer |
| 2 | 0 - 255 | red |
| 3 | 0 - 255 | green |
| 4 | 0 - 255 | blue |
| 5 | 0 - 255 | strobe |
| 6 | 0 | Off |
| | 1 - 255 | Different colourmacros 36 |
| 7 | 0 - 19 | none |
| | 20 - 23 | red |
| | 24 - 27 | green |
| | 28 - 31 | blue |
| | 32 - 35 | yellow |
| | 36 - 39 | cyan |
| | 40 - 43 | magenta |
| | 44 - 47 | white |
| | 48 - 51 | orange |
| | 52 - 55 | pink |
| | 56 - 59 | violet |
| | 60 - 63 | aquamarine |
| | 64 - 67 | sky blue |
| | 68 - 71 | full white |
| | 72 - 75 | cool white |
| | 76 - 79 | warm white |
| | 80 - 83 | white 3200 |
| 84 - 87 | white 2500 | |
| 88 - 91 | yellow 2 | |
| 92 - 95 | straw | |
| 96 - 99 | orange 2 | |
| 100 - 103 | light rose | |
| 104 - 107 | dark pink | |

7.DMX control mode

DMX 1 channel

| channel | value | function |
|---------|---------|---------------------------|
| 1 | 0 | Off |
| | 1 - 255 | Different colourmacros 36 |

DMX 3 channel

| channel | value | function |
|---------|---------|----------|
| 1 | 0 - 255 | red |
| 2 | 0 - 255 | green |
| 3 | 0 - 255 | blue |

DMX 4 channel

| channel | value | function |
|---------|---------|---------------|
| 1 | 0 - 255 | Master dimmer |
| 2 | 0 - 255 | red |
| 3 | 0 - 255 | green |
| 4 | 0 - 255 | blue |

DMX-In this menu,you can connect several pieces of lights with DMX cable and control them with control console.

1. Press “ENTER” button and then UP or DOWN button until “DMX ” is showed.
2. Press “ENTER” button, and “CHANNEL”, “ADDRESS”, “Led Modes” or “Fixt Number” will be showed.Then press ENTER.
 - 1) “Channel xxx” will be showed, “x” represents the showed DMX channel mode. You can press the UP or DOWN button to select your desired Channel mode.
 - 2) “ADDRESS xxx” will be showed, “x” represents the showed address. You can press the UP or DOWN button to select your desired address.
 - 3) “Led Modes Differet” or “Led Modes Same” will be showed
 - 1)Same - The lights will be showed in the same effect.
 - 2)Different - The lights will be showed in the different effects.
 - 4) “Fixt Number xxx” will be showed,press the UP or DOWN button you can know the number of connection lights.

RUN MODE-In this menu, you can select DMX mode or SLAVE mode.In SLAVE mode,you can select one light as the MASTER light and other lights in SLAVE mode will run following the MASTER light.

1. Press “ENTER” button and then UP or DOWN button until “RUN MODE” is showed.
- 2.Press “ENTER” button, and“DMX” or “SLAVE” will be showed, then press ENTER to select your desired mode.

SET UP-In this menu, you can adjust the value of the the function.

1. Press “ENTER” button and then UP or DOWN button until “SET UP” is showed.

2. Press "ENTER" button, and there will be six options. Then,press ENTER to select the option and press UP or DOWN button to select the value you desire as below.

- 1) Display Led - In this item,you can select "ON" or "OFF".If you select ON,the displayer will be on all the time.And if you select OFF,the displayer will extinguish about ten seconds later.
- 2) Key locks - You can select whether the password is on or off in this menu , and the password is [DOWN] + [UP] + [DOWN] + [UP] .If you select "on",then you have to input the password before pressing the buttons.Otherwise,the light won't respond to your order.
- 3) Dimmer RED - You can adjust the red brightness in this menu.
- 4) Dimmer GREEN - You can adjust the green brightness in this menu.
- 5) Dimmer BLUE - You can adjust the blue brightness in this menu.
- 6) Dimmer ALL - You can adjust the brightness of each color in this menu.

INFORMATION-In this menu, you can learn about the information of software, hardware and the working time of the light.

1. Press "ENTER" button and then UP or DOWN button until "INFORMATION" is showed.
2. Press "ENTER" button, and"Software" "Hardware" or "Fix times" will be showed. Then press ENTER, and you can see three items as below:
 - 1) Software - This item displays the Software information.
 - 2) Hardware - This item displays the Hardware information.
 - 3) Fix times - This item displays the working hours about the light.

AUTO-In this menu, you can select your desire AUTO mode and adjust the running speed.

1. Press "ENTER" button and then UP or DOWN button until "AUTO" is showed.

2. Press "ENTER" button, and "SPEED" or "AUTO MODE" will be showed. Then press ENTER,and you can see two items as below:

- 1) SPEED - You can select your desired speed in this menu.
- 2) AUTO MODE - You can select your desired auto mode in this menu.

STAT COLOR-In this menu, you can adjust the value of static color and strobe speed as you like.

1. Press "ENTER" button and then UP or DOWN button until "STAT COLOR" is showed.
2. Press "ENTER" button, and there are six options. Then press ENTER to select the option and press UP or DOWN button to select the value you desire as below:
 - 1) STAT RED - You can adjust the red brightness in this menu.
 - 2) STAT GREEN - You can adjust the green brightness in this menu.
 - 3) STAT BLUE - You can adjust the blue brightness in this menu.
 - 4) SELET COLOR -You can select 52 static color in this menu.
 - 5) STAT STROB - You can adjust the strobe speed in this menu.

LOAD ADDRESS-In this menu, you can set the new address.

- 1)Press the MENU button and UP button or DOWN button until "LOAD ADDRESS" is showed, then press ENTER.
- 2)"CLEAR ADDRESS" now is showed, then you can press the ENTER until "WAIT ONE FIX" is displayed.

RESET-In this menu, you can reset all the value of the system.

1. Press "ENTER" button and then UP or DOWN button until "RESET" is showed.
2. Press the ENTER button to reset all the value of the system.