

IRIDIUM



Stage Profile

Product Code: 113777

CONTENT

1. Introduction

2. Safety instructions

Proper Use

Care

3. Description

Products features

Overview

4. Installation

Overhead rigging

DMX512 connection

Power Input

5. Operation

Control board

DMX modes

6. Replacing the fuse

7. Focus

8. Technical specification

1. Introduction

Dear customer, thank you for deciding to purchase our product. The product fulfils the requirements of effective European and national guidelines. To maintain the condition of the product and to ensure safe operation, you - as the user - must observe the product notes and the operation manual!

They contain important information for the start-up and handling. It is important, therefore, that these documents are archived carefully for referring to information at a later stage.

2. Safety Instructions

We are not responsible for any property damage or personal injury caused by failure to observe these product notes and manual, improper handling or unauthorised modifications.

It can only be installed by a qualified electrician. Make sure that the item has not been damaged during transport before putting the light into operation. It may not be operated if there are any damages to electrical parts. The luminaire may only be operated completely with its protective cover. It may only be operated once removed from the packaging. The type plate must not be removed.

The connection lines in the building must be disconnected before installation and secured against being switched back on. For this, trip the corresponding fuse switch in the building installation.

Make sure the electrical specifications for the connection lines correspond with the specifications given on the nameplate of this product. We recommend that you protect the product with a residual-current-operated protective device.

Follow all installation regulations applicable at your location. Make sure that the cables and plugs are not subject to tension or torsional forces and do not bend the cables. Protect all cables and insulation against possible damages. Output lines should be laid separately and spaced apart from other lines. The power supply cables and the lamp feeders must not cross each other. Do not allow the product to come into contact with extreme heat or naked flames. Use the supplied fastening material only when it is suited for the installation background. The product must not be covered with objects (decorations) or thermally insulating coverings /similar materials. Before disposal of the packaging material make sure that all components are removed. Keep packaging material away from the reach of children and pets. The packaging contains small parts that may be swallowed by children.

Proper Use

This product is only intended for lighting purposes and may only be operated on normal or non-flammable surfaces. The use can be done in indoor/outdoor areas.

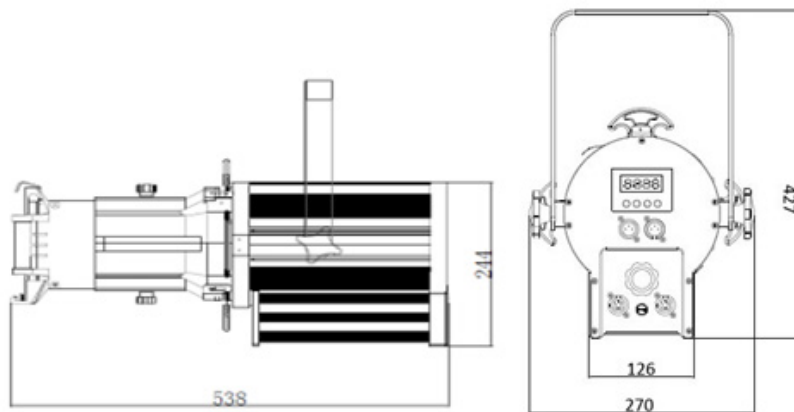
Make sure that the surface is suitable for permanently and reliably taking the weight of the light.

Care

Repairs may only be carried out by a qualified electrician. If the external flexible cable or cord of this luminaire is damaged, it shall be exclusively replaced by the manufacturer or his service agent or a similar qualified person in order to avoid a hazard. Disconnect the entire product from the mains first and allow it to cool down before cleaning or maintaining. Use a dry or slightly moistened cloth for cleaning. Never use any chemicals, flammable cleaning agents or abrasives. These may cause damage to the surface coating and/or the insulators.

3. Description

- Made by fire-resistant Nylon material and Aluminum which makes the lamp more lighter
- Good performance of cooling system with the quiet fan
- DMX controlled operation, possible work with any commercial DMX512 controller
- Rail-type hanging bracket, bracket position can be adjusted
- Different dimmer curves and dimmer speed adjustable
- Flicker free projection
- Rotatable barn doors, color filter optional
- Ready for connection with power cord with safety-plug



4. Installation

This device can be mounted in many orientations provided each individual device is secured by the use of correct mounting bracket.

Overhead rigging

The installation of the device has to be built and constructed in a way that it can hold 10 times the weight for 1hour without any harming deformation. The installation must always be secured with a secondary safety attachment. This secondary safety attachment must be constructed in a way that no part of the installation can fall down if the main attachment fails. The operator has to make sure that safety-relating and machine-technical installations are approved by an expert and before taking into operation for the first time and after changes .

Please note: for overhead rigging in public or industrial areas, a series of safety instructions have to be followed that this manual can only give in part.

DMX512 connection

If you are using controllers with this occupation, you can connect the DMX output of the controller directly with the DMX input of the first fixture in the DMX chain.

Building a serial DMX chain: Connect the DMX output of the first fixture in the DMX chain with the DMX input of the next fixture. Always connect one output with the input of the next fixture until all fixtures are connected.

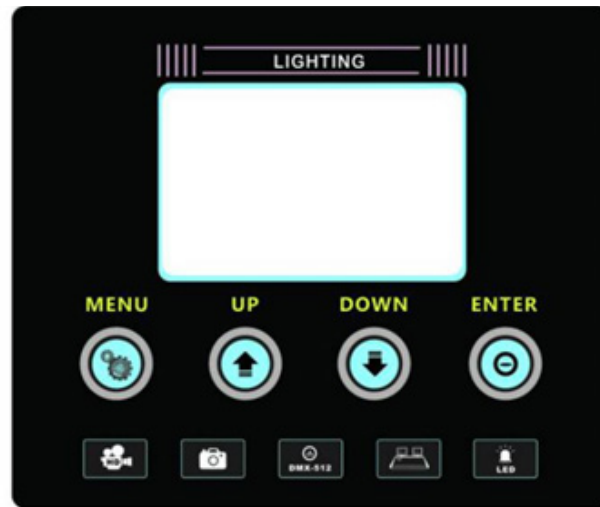
For better signal receival, a signal amplifier suggest to be used for each 20 fixtures.

Power input

This device has an auto-switching power supply work with input voltage range of 100-230V AC, 50/60Hz. Link up to the maximum 8A, Do not exceed this.

5. Operation

Control board



Press the Menu until one of the following had been displayed:

| Menu | | | |
|-------------|--------|-------|---|
| Menu 1 | Menu 2 | Value | Description |
| DMX | Addr. | 1-512 | DMX512 address |
| Channel | CH01 | 0-255 | Dimmer |
| | CH02 | 0-255 | DimmerFine, 5% brightness increased based on 01CH |
| | CH03 | 0-255 | Strobe |
| Manual | Dim | 0-255 | Dimmer |
| | D_F | 0-255 | DimmerFine |
| | STO | 0-255 | Strobe |
| Reset | YES/NO | | Recover to manufactory default |
| Temperature | C.000 | 0-255 | Current temperature |
| | T.080 | | Protecting temperature |

Use 'Up' and 'Down' button to select your desired operation, press 'Enter' to set all function

Notes:

- » When there's a flickering '!' sign appeared, means no signal input for the fixture.
- » No operation within 30seconds, LCD display will enter into Screen protection mode automatic.
- » When the current temperature is higher than the protecting setting temperature, 30% of power consumption will be deducted slowly; Power consumption will be coming to normal when the temperature gets to normal.

DMX Modes

DMX512 Channel table

| 1 Channel Table | | | |
|-----------------|--------|-------|----------------------------|
| Channel | Value | Rate | Function |
| CH1 | Dimmer | 0-255 | Dimmer, brightness from 0% |

| 2 Channel Table | | | |
|-----------------|------------|-------|-----------------------------|
| Channel | Value | Rate | Function |
| CH1 | Dimmer | 0-255 | Dimmer, brightness from 0% |
| CH2 | DimmerFine | 0-255 | Brightness micro adjustment |

| 3 Channel Table | | | |
|-----------------|------------|-------|--|
| Channel | Value | Rate | Function |
| CH1 | Dimmer | 0-255 | Dimmable, brightness from 0% |
| CH2 | DimmerFine | 0-255 | Brightness micro adjustment |
| CH3 | Strobe | 0-255 | 0-10 Strobe off, 11-255 Strobe frequency (from slow to fast) |

6. Fuse Replacement

If the fine-wire fuse of the device fuses, only replace the fuse by a fuse of same type and rating. Before replacing the fuse, unplug mains lead.

Procedure:

Step1: Unscrew the fuse holder on the rear panel with a fitting screwdriver from the housing (anticlockwise).

Step 2: Remove the old fuse from the fuse holder.

Step 3: Install the new fuse in the fuse holder.

Step 4: Replace the fuse holder in the housing and fix it.

7. Focus

The objective lens cylinder is usually shrunk before leaving factory, after connect the projector to the mains, user may loose the screws and pull out the lens cylinder, till the white light output circular is clearly presented, locking tightly the two screws again.

When the projection distance is changed, user can follow previous operating steps, and focus the projector.

8 Technical specifications

| | |
|--------------------------------------|---|
| Item Number: | 113777 |
| Product name: | IRIDIUM Stage Profile |
| Power Consumption: | 200W |
| Voltage: | 100 - 240V AC |
| Frequency: | 50/60Hz |
| Light Source: | 200W COB Citizen led |
| Lens: | 6pcs Special imaging glass optical lens |
| Color temperature: | 3200K |
| CRI: | >90 |
| Beam Angle: | 19° |
| Dimming Range: | 16bit smooth dimming 0-100% |
| DMX Channel: | 1CH/2CH/3CH Optional |
| Control system: | STM32 control chip, DMX512 signal |
| Display Screen: | 4-Button LCD Screen |
| IP Rating: | IP20 |
| Min. Distance to Illuminated object: | 1M |
| Ambient Temp.: | -15°C - 35°C |
| Product size: | 538x270x427mm |
| Weight: | 10kgs |
| Packing: | 1pc per carton |
| Packing size: | 665x330x360mm |

IMPORTER

B&K LUMITEC

ZI – 2 Rue Alfred Kastler – 67850 Herrlisheim – France

www.bklumitec.com