

IRIDIUM



Stage Studio Manual Zoom 12-55°

Product Code: 113776

For your safety, read this manual carefully before first use

1. Introduction

Thank you for purchasing this product. Before using this device read this instructions for use and keep it for future reference if necessary. It contains important information on the use and installation of the product.

Please comply strictly with it.

This product can be controlled in DMX 512 format.

* This product meets the CE & ROHS standard.

2. Safety instructions

ATTENTION

- Do not open this product. Risk of electric shock
- Never stare at the light source when the product is on
- **Caution: during use and afterwards, the chassis is very hot – risk of burns.**
- Install this projector in a sufficiently ventilated space, with a minimum distance of 50 cm from adjacent surfaces
- Keep all flammable materials at least 50 cm away from the projector
- Always use a safety sling in case of snagging
- This device is not intended for outdoor use, or in humid or dusty environments.
- Never use the device if there is visible damage to the chassis or the power cable.

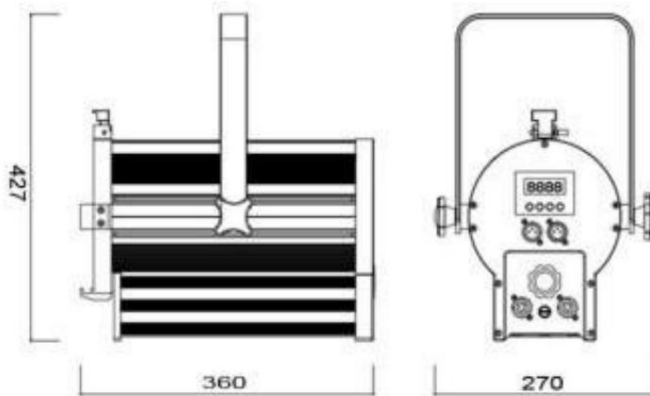
- Do not connect this device to a dimming unit
- Connect this device to an earthed electrical source, and protected upstream.
- The maximum ambient temperature of use is 40°C. Do not use this device if the ambient temperature is higher.

3. Description

Features

- Made of fire-resistant nylon and aluminum alloy.
- Silent ventilation.
- Control to DMX 512 standard
- Suspension bracket
- Adjustable dimming curves
- Flicker free
- Delivered with flow break

Dimensions



4. Installation

This device can be mounted on a structure.

Structural assembly

The stand must be able to support 10x the weight of the device equipped without deformation after one hour.

Any suspended installation must be implemented by personnel qualified according to the rules of the art.

Note that implementation in certain locations may respond to specific criteria, and particular conditions, that this manual, based on a general context cannot explain.

Always make sure you know the special conditions installation of the places concerned.

DMX512 connection

Only use specific 110 Ohm cable to make the connections DMX. It is recommended not to exceed a maximum of 20 devices on a single DMX line.

Food

This device automatically adapts to voltages 110-240 V AC. There maximum load on a power line must not exceed 8 Amps.

5.Operation

Control panel



Press the Menu key until one of the parameters is displayed

following:

Menu			
1st Menu	2nd Menu	Value	Action
DMX	DMX address	0-512	DMX address setting

Channel	CH01	0-255	Dimmer
	CH02	0-255	Dimmer Fine, 5% adjustment margin
	CH03	0-255	Strobe
Manual	Sun	0-255	Dimmer
	D_F	0-255	DimmerFine
	STO	0-255	Strobe
Reset	YES/NO		Reset settings factory
Temperature	C.000	0-255	Temperature
	T.080		Protective temperature

Use the Up and Down keys to navigate, and Enter to validate the choices

Notes:

- When “!” is displayed, flashing, no DMX signal detected.
- The display goes into standby mode after 30 seconds without operation.
- When the temperature of the device exceeds the programmed protection temperature, the device automatically limits its power by 30%, until it returns to normal values.

DMX modes

1 channel mode			
Channel	Function	Value	Function
CH1	Dimmer	0-255 Dimmer	0-100%
2 channel mode			
Channel	Function	Value	Function
CH1	Dimmer	0-255 Dimmer	0-100%
CH2	DimmerFi born	0-255 5%	dimmer adjustment
3 channel mode			
Channel	Function	Value	Function
CH1	Dimmer	0-255 Dimmer	0-100%
CH2	DimmerFi born	0-255 5%	dimmer adjustment
CH3	Strobe	0-255	0-10 Strobe off, 11-255 strobe frequency (slow to fast)

6. Fuse replacement

Only use a fuse strictly equivalent to the original one if replacement is necessary.

Always disconnect the power

before any electrical intervention on the device.

7. Technical characteristics

Reference:	113776
Designation:	IRIDIUM Stage Studio Manual Zoom Fresnel
Consumption:	200W
Food:	100 - 240V AC
Frequency:	50/60Hz
LED source:	200W COB Citizen led
Lens:	150mm Fresnel
Color temperature: 3200K	
IRC:	>90
Beam angle:	12°-55°
Gradation:	16 Bit / 0-100%
DMX Channels:	1CH/2CH/3CH
Control:	STM32 control chip, DMX512 signal
Display:	4-button LCD
IP rating:	IP20

Minimum distance to illuminated object	1M
Operating temperature.:	-15°C-35°C
Dimensions:	360x270x427mm
Weight:	5.8kgs
Packaging:	1 pc/box
Packaging dimensions:	420x330x360mm

IMPORTER

B&K LUMITEC

ZI – 2 Rue Alfred Kastler – 67850 Herrlisheim – France

www.bklumitec.com