

# IRIDIUM

---



## **Stage Studio Manual Zoom 12-55°**

Product Code: 113776

For your safety, read this manual carefully before first use

## **1. Introduction**

Thank you for purchasing this product. Before using this device read this instructions for use and keep it for future reference if necessary. It contains important information on the use and installation of the product.

Please comply strictly with it.

This product can be controlled in DMX 512 format.

\* This product meets the CE & ROHS standard.

## 2. Safety instructions

### ATTENTION

- Do not open this product. Risk of electric shock
- Never stare at the light source when the product is on
- **Caution: during use and afterwards, the chassis is very hot – risk of burns.**
- Install this projector in a sufficiently ventilated space, with a minimum distance of 50 cm from adjacent surfaces
- Keep all flammable materials at least 50 cm away from the projector
- Always use a safety sling in case of snagging
- This device is not intended for outdoor use, or in humid or dusty environments.
- Never use the device if there is visible damage to the chassis or the power cable.

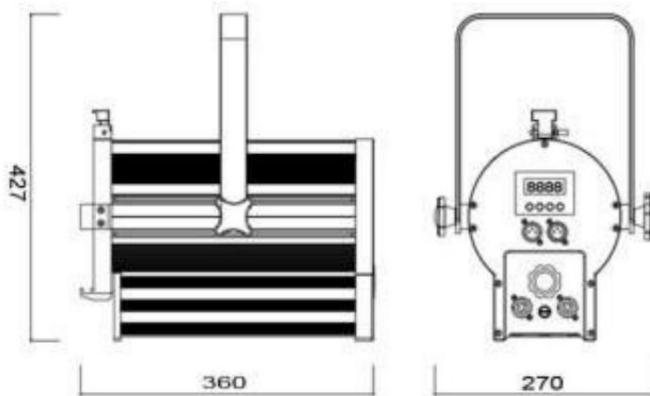
- Do not connect this device to a dimming unit
- Connect this device to an earthed electrical source, and protected upstream.
- The maximum ambient temperature of use is 40°C. Do not use this device if the ambient temperature is higher.

### **3. Description**

#### **Features**

- Made of fire-resistant nylon and aluminum alloy.
- Silent ventilation.
- Control to DMX 512 standard
- Suspension bracket
- Adjustable dimming curves
- Flicker free
- Delivered with flow break

## Dimensions



## 4. Installation

This device can be mounted on a structure.

### Structural assembly

The stand must be able to support 10x the weight of the device equipped without deformation after one hour.

Any suspended installation must be implemented by personnel qualified according to the rules of the art.

Note that implementation in certain locations may respond to specific criteria, and particular conditions, that this manual, based on a general context cannot explain.

Always make sure you know the special conditions installation of the places concerned.

### **DMX512 connection**

Only use specific 110 Ohm cable to make the connections DMX. It is recommended not to exceed a maximum of 20 devices on a single DMX line.

### **Food**

This device automatically adapts to voltages 110-240 V AC. There maximum load on a power line must not exceed 8

Amps.

## 5.Operation

### Control panel



Press the Menu key until one of the parameters is displayed

following:

| Menu     |             |       |                     |
|----------|-------------|-------|---------------------|
| 1st Menu | 2nd Menu    | Value | Action              |
| DMX      | DMX address | 0-512 | DMX address setting |



|             |        |       |                                   |
|-------------|--------|-------|-----------------------------------|
| Channel     | CH01   | 0-255 | Dimmer                            |
|             | CH02   | 0-255 | Dimmer Fine, 5% adjustment margin |
|             | CH03   | 0-255 | Strobe                            |
| Manual      | Sun    | 0-255 | Dimmer                            |
|             | D_F    | 0-255 | DimmerFine                        |
|             | STO    | 0-255 | Strobe                            |
| Reset       | YES/NO |       | Reset settings factory            |
| Temperature | C.000  | 0-255 | Temperature                       |
|             | T.080  |       | Protective temperature            |

Use the Up and Down keys to navigate, and Enter to validate the choices

Notes:

- When “!” is displayed, flashing, no DMX signal detected.
- The display goes into standby mode after 30 seconds without operation.
- When the temperature of the device exceeds the programmed protection temperature, the device automatically limits its power by 30%, until it returns to normal values.

## DMX modes

| 1 channel mode |                  |              |  |
|----------------|------------------|--------------|--|
| Channel        | Function         | Value        | Function   |
| CH1            | Dimmer           | 0-255 Dimmer | 0-100%   |
| 2 channel mode |                  |              |  |
| Channel        | Function         | Value        | Function   |
| CH1            | Dimmer           | 0-255 Dimmer | 0-100%   |
| CH2            | DimmerFi<br>born | 0-255 5%     | dimmer adjustment  |
| 3 channel mode |                  |              |  |
| Channel        | Function         | Value        | Function   |
| CH1            | Dimmer           | 0-255 Dimmer | 0-100%   |
| CH2            | DimmerFi<br>born | 0-255 5%     | dimmer adjustment  |
| CH3            | Strobe           | 0-255        | 0-10 Strobe off, 11-255 strobe frequency<br>(slow to fast) |

## 6. Fuse replacement

Only use a fuse strictly equivalent to the original one if replacement is necessary.

Always disconnect the power

before any electrical intervention on the device.

## 7. Technical characteristics

|                          |  |
|--------------------------|--|
| Reference:               | 113776                                   |
| Designation:             | IRIDIUM Stage Studio Manual Zoom Fresnel |
| Consumption:             | 200W                                     |
| Food:                    | 100 - 240V AC                            |
| Frequency:               | 50/60Hz                                  |
| LED source:              | 200W COB Citizen led                     |
| Lens:                    | 150mm Fresnel                            |
| Color temperature: 3200K |  |
| IRC:                     | >90                                      |
| Beam angle:              | 12°-55°                                  |
| Gradation:               | 16 Bit / 0-100%                          |
| DMX Channels:            | 1CH/2CH/3CH                              |
| Control:                 | STM32 control chip, DMX512 signal        |
| Display:                 | 4-button LCD                             |
| IP rating:               | IP20                                     |

|  |               |
|--|---------------|
| Minimum distance to illuminated object | 1M            |
| Operating temperature.:                | -15°C-35°C    |
| Dimensions:                            | 360x270x427mm |
| Weight:                                | 5.8kgs        |
| Packaging:                             | 1 pc/box      |
| Packaging dimensions:                  | 420x330x360mm |

# **IMPORTER**

---

**B&K LUMITEC**

ZI – 2 Rue Alfred Kastler – 67850 Herrlisheim – France

[www.bklumitec.com](http://www.bklumitec.com)