

IRIDIUM

ARC Bar 168

Code:113523



Importer

B&K LUMITEC

2 Rue Alfred Kastler

67850 HERRLISHEIM



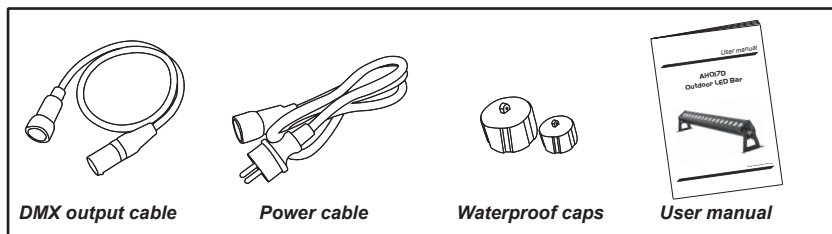
Unpacking: Thank you for purchasing the ARC Bar 168 . Every Outdoor LED Bar has been tested and shipped in perfect operating condition. Carefully check the shipping carton for damage that may have occurred during shipping. If the carton appears to be damaged, carefully inspect your fixture for any damage and be sure all accessories necessary to operate the unit has arrived intact. In the case damage has been found or parts are missing, please contact our toll free customer support number for further instructions. Do not return this unit to your dealer without first contacting customer support.

Introduction: The ARC Bar 168 is DMX intelligent LED color wall washer. This wall washer can be used in a stand alone mode or connected in a Master/Slave configuration. The unit can also be controlled via DMX controller. This unit has six operating modes: Manual Color mode, Color Change mode, Color Fade mode, Auto mode, RGBW Manual Control mode and DMX control mode.

Warning! To prevent or reduce the risk of electrical shock or fire, do not expose this unit to rain or moisture.

Caution! There are no user serviceable parts inside this unit. Do not attempt any repairs yourself, doing so will void your manufactures warranty. In the unlikely event your unit may require service please contact us.

UNPACKING AND PREPARATION



DMX Set Up

Your cables should be made with a male and female XLR connector on either end of the cable. Also remember that DMX cable must be daisy chained and cannot be split.

Notice: Be sure to follow figures two and three when making your own cables. Do not use the ground lug on the XLR connector. Do not connect the cable's shield conductor to the ground lug or allow the shield conductor to come in contact with the XLR's outer casing. Grounding the shield could cause a short circuit and erratic behavior.

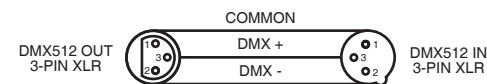


Figure 2

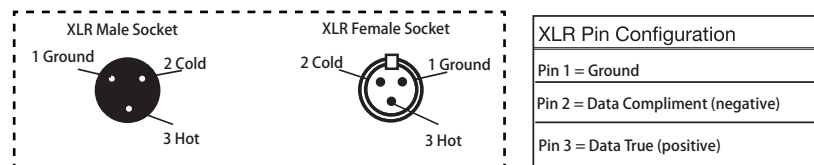


Figure 3

Special Note: Line Termination. When longer runs of cable are used, you may need to use a terminator on the last unit to avoid erratic behavior. A terminator is a 110-120 ohm 1/4 watt resistor which is connected between pins 2 and 3 of a male XLR connector (DATA + and DATA -). This unit is inserted in the female XLR connector of the last unit in your daisy chain to terminate the line. Using a cable terminator (ADJ part number Z-DMX/T) will decrease the possibilities of erratic behavior.

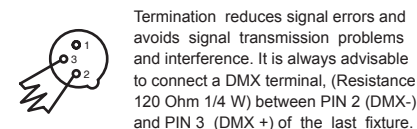
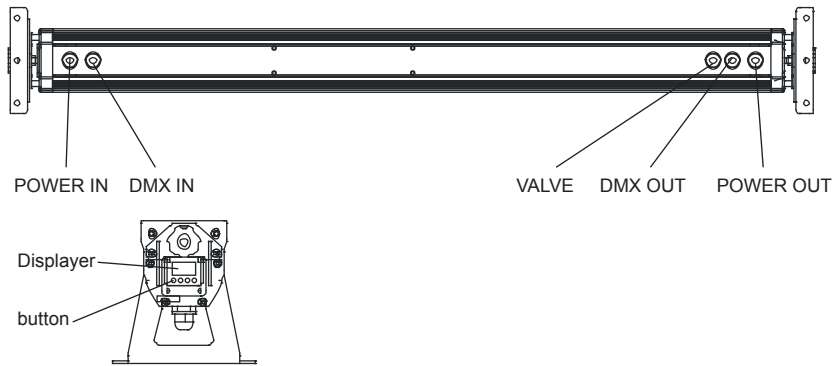


Figure 4

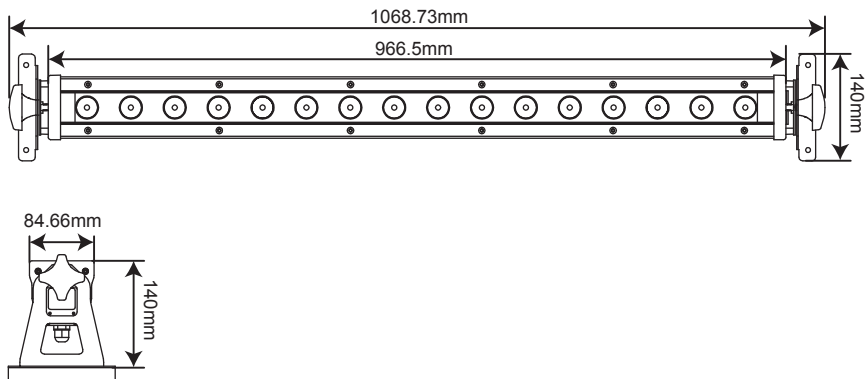
DMX value and function

DIMMING	0<----->255 0%<----->100%					
LED main function	0~7: dimmer	8~15: mode1	16~23: mode2	240~247: mode29	248~255: mode30
function speed	0<----->255 slow<----->fast					
strobing	0:NO strobing 1~255: slow<----->fast					

Rear view



Mechanical Specification



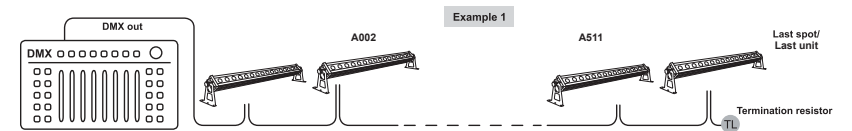
General Instructions

To optimize the performance of this product, please read these operating instructions carefully to familiarize yourself with the basic operations of this unit. These instructions contain important safety information regarding the use and maintenance of this unit. Please keep this manual with the unit, for future reference.

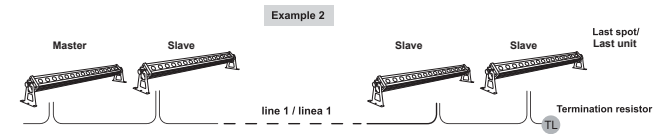
Features

- DMX-512 protocol
- Waterproof rating: IP 65
- 3 built-in programs
- Radiator air valve on the rear
- Electronic dimming without flicker: 0-100%
- 7 DMX Channels: 1, 4, 7, 11, 19, 32, 35CH

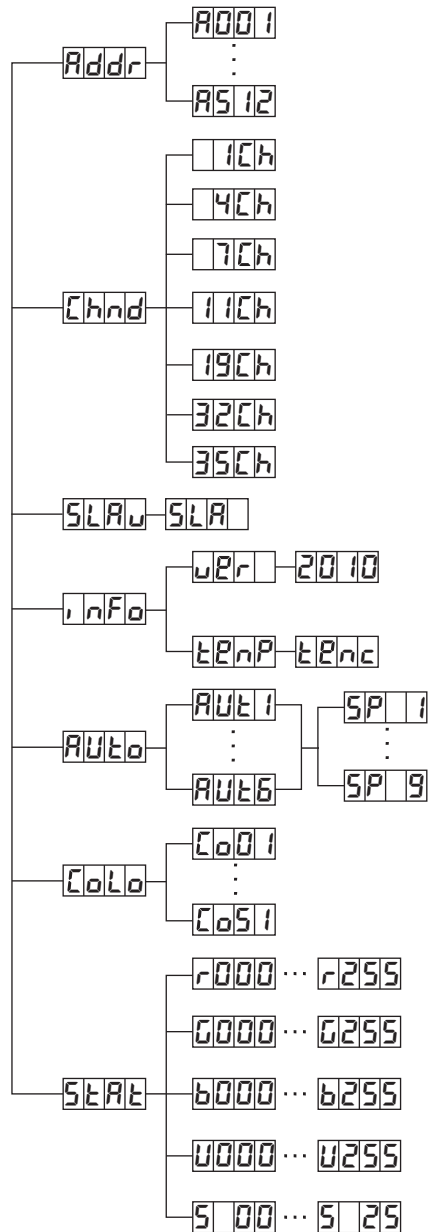
DMX connection



Master slave connection



Operating Instructions



DMX Mode 7:35CH

channel	value	function
ch1	0-255	LED main function
ch2	0-255	Speed/Strobe
ch3	0-255	Dimmer
ch4	0-255	Red (0%--100%)
ch5	0-255	Green (0%--100%)
ch6	0-255	Blue (0%--100%)
ch7	0-255	White (0%--100%)
ch8	0-255	Red (0%--100%)
ch9	0-255	Green (0%--100%)
ch10	0-255	Blue (0%--100%)
ch11	0-255	White (0%--100%)
ch12	0-255	Red (0%--100%)
ch13	0-255	Green (0%--100%)
ch14	0-255	Blue (0%--100%)
ch15	0-255	White (0%--100%)
ch16	0-255	Red (0%--100%)
ch17	0-255	Green (0%--100%)
ch18	0-255	Blue (0%--100%)
ch19	0-255	White (0%--100%)
ch20	0-255	Red (0%--100%)
ch21	0-255	Green (0%--100%)
ch22	0-255	Blue (0%--100%)
ch23	0-255	White (0%--100%)
ch24	0-255	Red (0%--100%)
ch25	0-255	Green (0%--100%)
ch26	0-255	Blue (0%--100%)
ch27	0-255	White (0%--100%)
ch28	0-255	Red (0%--100%)
ch29	0-255	Green (0%--100%)
ch30	0-255	Blue (0%--100%)
ch31	0-255	White (0%--100%)
ch32	0-255	Red (0%--100%)
ch33	0-255	Green (0%--100%)
ch34	0-255	Blue (0%--100%)
ch35	0-255	White (0%--100%)

DMX Mode 6:32CH

channel	value	function
ch1	0--255	Red (0%--100%)
ch2	0--255	Green (0%--100%)
ch3	0--255	Blue (0%--100%)
ch4	0--255	White (0%--100%)
ch5	0--255	Red (0%--100%)
ch6	0--255	Green (0%--100%)
ch7	0--255	Blue (0%--100%)
ch8	0--255	White (0%--100%)
ch9	0--255	Red (0%--100%)
ch10	0--255	Green (0%--100%)
ch11	0--255	Blue (0%--100%)
ch12	0--255	White (0%--100%)
ch13	0--255	Red (0%--100%)
ch14	0--255	Green (0%--100%)
ch15	0--255	Blue (0%--100%)
ch16	0--255	White (0%--100%)
ch17	0--255	Red (0%--100%)
ch18	0--255	Green (0%--100%)
ch19	0--255	Blue (0%--100%)
ch20	0--255	White (0%--100%)
ch21	0--255	Red (0%--100%)
ch22	0--255	Green (0%--100%)
ch23	0--255	Blue (0%--100%)
ch24	0--255	White (0%--100%)
ch25	0--255	Red (0%--100%)
ch26	0--255	Green (0%--100%)
ch27	0--255	Blue (0%--100%)
ch28	0--255	White (0%--100%)
ch29	0--255	Red (0%--100%)
ch30	0--255	Green (0%--100%)
ch31	0--255	Blue (0%--100%)
ch32	0--255	White (0%--100%)

Addr - DMX Address Setting via control board

1. Press the MENU button and UP button or DOWN button until "Addr" is showed, then press ENTER.
2. "AXXX" now is showed, "XXX" represents the showed address. Press the UP or DOWN button to select your desired address.

Chnd - This menu will let you select your desired DMX Channel mode.

1. Tap the MENU button and UP button or DOWN button until "Chnd" is displayed, then press ENTER.
2. "X Ch" now is displayed, "X" represents the displayed DMX channel mode. Press the UP or DOWN buttons to find your desired Channel mode.

SLav- In this menu, you can select the Master/slave mode.

1. Press the MENU button and UP button or DOWN button until "SLav" is showed, then press ENTER.
2. "Sla" now is showed, and Slave mode is confirmed. It will be slaved by auto mode, and chase mode.

Info - This menu will show the information of the light.

1. Press the MENU button and UP button or DOWN button until "INFO" is showed, then press ENTER. And you will see two items.
 - 1) Temp: this will show the temperature at work.
 - 2) Vers: this will show the version of the software.

Auto - In this menu you can select your desired Auto mode.

1. Press the MENU button and UP button or DOWN button until "Auto" is showed, then press ENTER.
2. "Autx" now is showed. You can press UP or DOWN button to select your desired auto mode. Then press ENTER to adjust the speed of the Auto mode from speed1 to speed9.

Colo - Manual color dimming mode

1. Tap the MENU button and UP button or DOWN button until "CoLo" is displayed, then press ENTER.
2. "CoXX" now is displayed, "XX" representing a number between 1-51 will be displayed. Then press UP or DOWN button to select your desired color.

Stat- In this menu, you can select your desired static color mode and strobe mode

1. Press the MENU button and UP button or DOWN button until "Stat" is showed, then press ENTER.
2. There will be five options. Press ENTER to select the option and then press UP or DOWN button to select the value you desire as below.
 - 1) red~R000~R255
 - 2) gree~G000~G255
 - 3) blue~B000~B255
 - 4) uhie~U000~U255
 - 5) strobe~S00~S25

DMX control mode

DMX Mode 1:1CH

channel	value	function
ch1	0--255	Static color

DMX Mode 2:4CH

channel	value	function
ch1	0--255	Red (0%--100%)
ch2	0--255	Green (0%--100%)
ch3	0--255	Blue (0%--100%)
ch4	0--255	White (0%--100%)

DMX Mode 3:7CH

channel	value	function
ch1	0--255	LED main function
ch2	0--255	Speed/Strobe
ch3	0--255	Dimmer
ch4	0--255	Red (0%--100%)
ch5	0--255	Green (0%--100%)
ch6	0--255	Blue (0%--100%)
ch7	0--255	White (0%--100%)

DMX Mode 4:11CH

channel	value	function
ch1	0--255	LED main function
ch2	0--255	Speed/Strobe
ch3	0--255	Dimmer
ch4	0--255	Red (0%--100%)
ch5	0--255	Green (0%--100%)
ch6	0--255	Blue (0%--100%)
ch7	0--255	White (0%--100%)
ch8	0--255	Red (0%--100%)
ch9	0--255	Green (0%--100%)
ch10	0--255	Blue (0%--100%)
ch11	0--255	White (0%--100%)

DMX Mode 5:19CH

channel	value	function
ch1	0--255	LED main function
ch2	0--255	Speed/Strobe
ch3	0--255	Dimmer
ch4	0--255	Red (0%--100%)
ch5	0--255	Green (0%--100%)
ch6	0--255	Blue (0%--100%)
ch7	0--255	White (0%--100%)
ch8	0--255	Red (0%--100%)
ch9	0--255	Green (0%--100%)
ch10	0--255	Blue (0%--100%)
ch11	0--255	White (0%--100%)
ch12	0--255	Red (0%--100%)
ch13	0--255	Green (0%--100%)
ch14	0--255	Blue (0%--100%)
ch15	0--255	White (0%--100%)
ch16	0--255	Red (0%--100%)
ch17	0--255	Green (0%--100%)
ch18	0--255	Blue (0%--100%)
ch19	0--255	White (0%--100%)