

User manual

 **LedDoo**

LED Thunder Wash Zoom 4x40W

IMPORTER

B&K LUMITEC

2 rue Alfred Kastler
Zone Industrielle
67850 Herrlisheim - France

+33 (0) 3.88.96.80.90

+33 (0) 3.88.96.48.46

hello@bklumitec.com

www.bklumitec.com



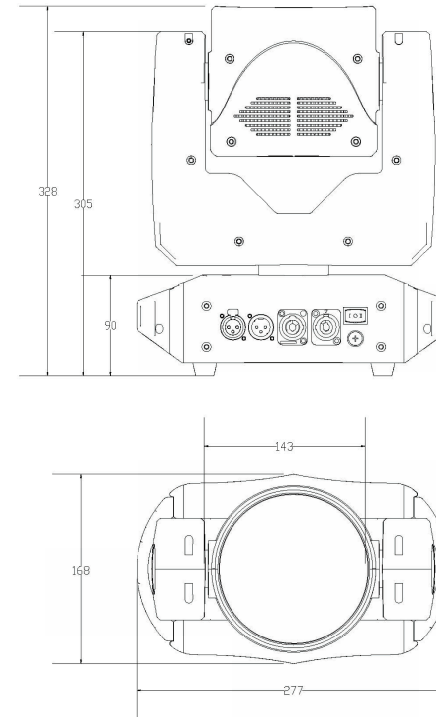
Please read carefully before use

Menu

Dimensions.....	2
Before Using.....	3
What's inside.....	3
Open box instruction.....	3
A C power supply.....	3
Safety Instruction.....	3
Introduction.....	4
Specification.....	4
Product features.....	5
Product Introduction.....	6
Installation.....	7
Installation requirements.....	7
Power supply connection.....	8
DMX Signal connection.....	8
Operating instruction.....	9
Control board function.....	9
Menu Map.....	9
Menu Instruction.....	10
DMX Channel Table.....	12

Dimensions

All dimensions are in millimeters



Before Using

What's inside

- Equipment x 1
- Power cable with Plug x 1
- User manual x 1
- Iron holder x 1

Open Instruction



Help preserve the environment! Ensure that this product is recycled at the end of its life. Your supplier can give details of local arrangements for the disposal of products.

Please open the equipment carefully, and check all the spare parts are included or not. If any part of the cause of the failure due to improper transportation or carton, please keep the packing materials and immediately inform the shipper to check. If the equipment must be returned to the factory, the equipment should be used with the original carton and packaging.

AC Power Supply

The equipment power supply is able to adapt to the wide input voltage. Please confirm the input voltage is in the scale of rated voltage. The equipment can adapt to 100V-240V AC voltage, Frequency 50-60HZ. It can not run a rheostat (variable resistor) or dimmer circuits.

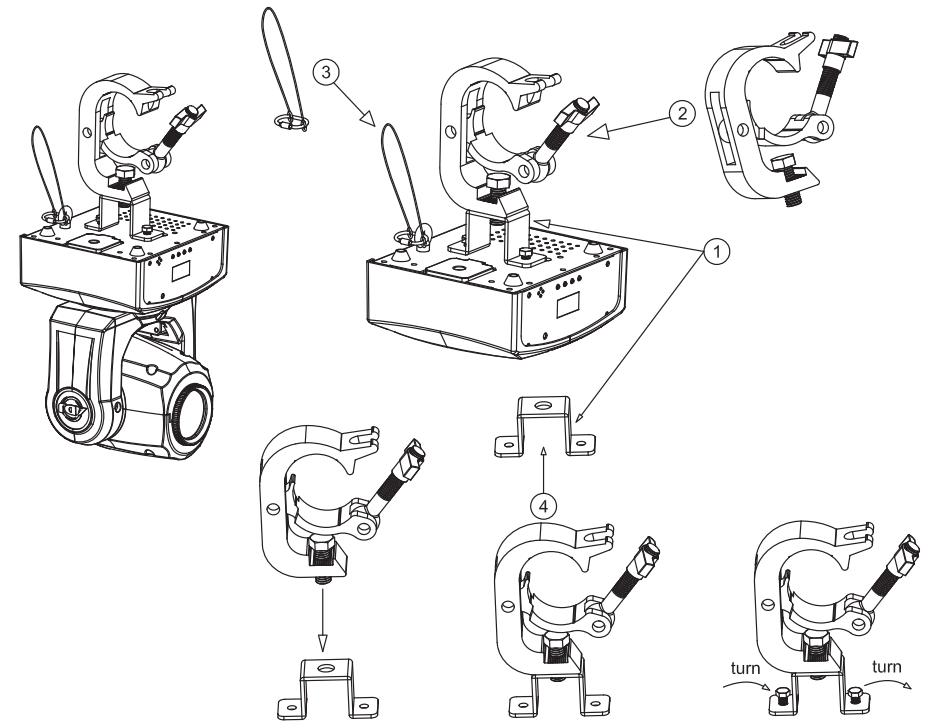
Safety Instruction

This product is I level protection equipment, so it must be connected well and connected by the professional people.

- Make sure the voltage don't be above or below which the user manual rated values.
- Confirm the power cord is not a sword cut or damaged.
- Must be cut off the power supply in the condition of no using or cleaning.
- Only allowed with the power cord plug connection. Please do not force when unplug the power cord to pull the plug.
- Be careful in the process of installation of equipment. Avoid touching the bare wire, otherwise it will suffer fatal shocks.
- Don't look the light source directly, otherwise it will hurt the eyes.

as a safety measure to prevent accidental damage and/or injury in the event the clamp fails.

NOTICE: The suitable environmental temperature for this lighting fixture is between -20° C to 40° C. Do not place this lighting fixture in an environment where the temperatures are under or above the temperatures stated above. This will allow the fixture to run at its best and help prolong the fixture life.



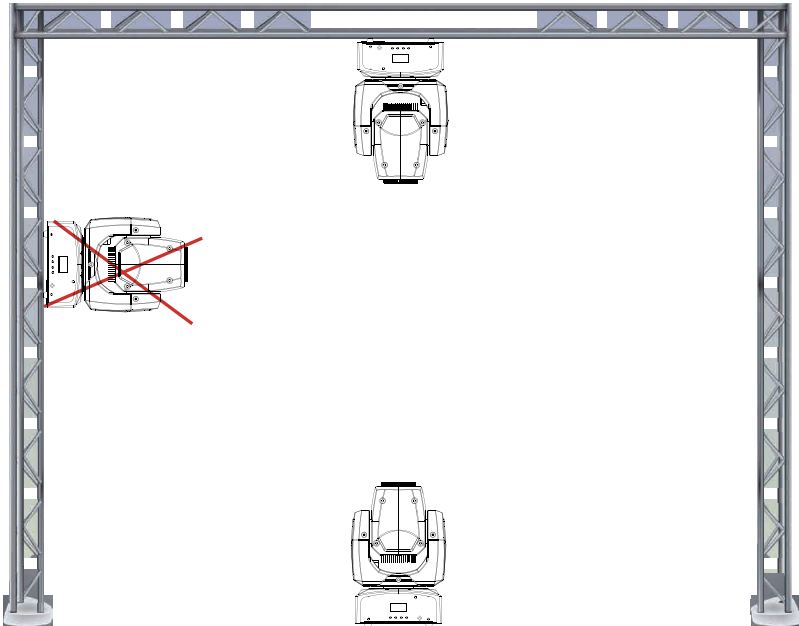
Screw one clamp via a M12 screw and nut to the included bracket. Attach the bracket using the included screws to the bottom of the Inno Pocket Spot. Attach the eyehole screw to the bottom of the base and pull the safety-cable through the screw and over the trussing system or a safe fixation spot. Insert the end in the carabine and tighten the safety screw.

Mounting

When installing the unit, the trussing or area of installation must be able to hold 10 times of the weight without any deformation. When installing the unit must be secured with a secondary safety attachment, such as appropriate safety cable. Never stand directly below the unit when mounting, removing, or servicing the unit.

Overhead mounting requires extensive experience, including calculating working load limits, installation material being used, and periodic safety inspection of all installation material and unit. If you lack these qualifications, do not attempt the installation yourself.

The installation should be checked by a skilled person once a year.



The Inno Pocket Spot is fully operational in two different mounting positions, hanging upside-down from a ceiling or set on a flat level surface. To avoid internal damage to the unit, never mount the unit on its side as illustrated above. Be sure this fixture is kept at least 0.5m away from any flammable materials (decoration etc.). Always use and install the supplied safety cable as a safety measure to prevent accidental damage and/or injury in the event the clamp fails (see next page).

- When choosing installation position of equipment and the equipment must be more than 0.5m distance between objects.
 - Please use the equipment wires appropriate.
 - Without the manufacturer's authorization or laypeople don't remove, repair and modification of equipment.
 - The maximum operating temperature is 40 °C, don't operate the equipment when it is over 40 °C
 - Do not connect the equipment to the dimmer equipment.
- Under 120V voltage, output power don't series more than 8 pcs equipment, - voltage 230V. Output power don't series more than 15 pcs

Introduction

Specification

- Rated Voltage: AC100V ~ 240V 50-60HZ
- Rated Power: 150W
 - ▶ LED Qty: 4 x 30W RGBW high power LEDs
- LED Drive Current: 2.0A

- Beam Angle: 6° - 60°
- IP : IP20
- DMX Mode: 5CH (Basic mode) /12CH(Stand mode)/18CH(Extend mode)
- Packing Size: 220x320x420mm
- Net weight: 5.1 Kg
- Gross weight: 6.2Kg

Product features

- XLR sockets input/output 3Pin
- Power input/Power output
- 3 kinds of control model: DMX512,Sound,Master/slave
- Black plastic
- 2.4inch TFT color display screen
- Display board can be 180°in turn, it can be fitted in different setting
-
- Indoor Temperature: -20°C ~ +40°C
- 3 DMX modes selection: 15CH (Basic mode) /17CH(Stand mode)/33CH(Extend mode)
- Dimmer:0-100% linear dimmer
 - ▶ Tilt/Pan movement: 16bit pan/tilt fine
 - ▶ Smooth and accurate locating
 - ▶ Pan: 540°Tilt:270°
 - ▶ Pan/Tilt infinite rotation, and adjustable speed
 - ▶ Memorable scan point,automatic reset after no appointed movement
 - ▶ Default function in Pan/tilt
- Perfect mixing color and rainbow effect
- 0-20HZ Strobe、 pulse strobe、 Asynchronous stroboscopic effect.
- Perfect total dimmer
- Fan cooling(fan speed based on temperature)
- Special cooling system

DMX Mode 5CH

Channel	Function	Value	Sub-Group
ch1	ZOOM	ZOOM 4-60°	Zoom
ch2	Dimmer	0-255 0% to 100%	Dimmer
ch3	Strobe	0-005 Strobe open 006-255 Strobe slow -> fast <1Hz - 20Hz	Strobe
ch4	Auto Program	0-005 off	Auto Program
		006-036 Auto Program 1	
		037-067 Auto Program 2	
		068-098 Auto Program 3	
		099-129 Auto Program 4	
		130-160 Auto Program 5	
		161-191 Auto Program 6	
		192-222 Auto Program 7	
223-255 Auto Program 8			
ch5	Pan/Tilt Speed (Set Speed Auto Programms)	0-255 Pan/Tilt Fast -> Slow	Pan/Tilt speed

Installation

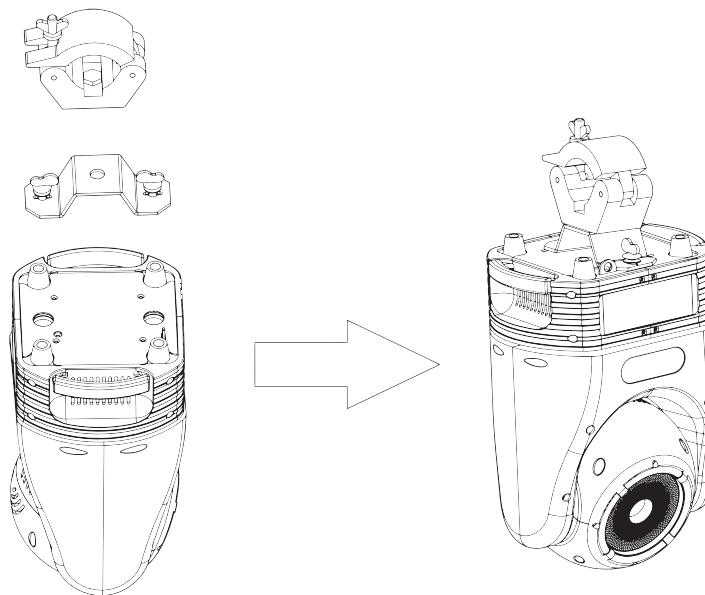
Installation Requirements

ch17	Set dimmer curve	0-005 no function	Set dimmer curve
		006-063 Linear Dimmer Curve	
		064-127 Sqaure Dimmer Curve	
		128-191 I. Sqaure Dimmer Curve	
		192-255 S-Curve Dimmer Curve	
ch18	Device settings	0-005 no function	Device settings
		006-032 Blackout while Moving on (Hold 3s)	
		033-059 Blackout while Moving off (Hold 5s)	
		060-086 Invert Pan on (Hold 3s)	
		087-113 Invert Pan off (Hold 5s)	
		114-140 Invert Tilt on (Hold 3s)	
		141-167 Invert Tilt off (Hold 5s)	
		168-194 Silent Fan on (Hold 3s)	
		195-221 Silent Fan off (Hold 5s)	
		222-255 Reset All Functions (Hold 3s)	

DMX Mode 12CH

Channel	Function	Value	Sub-Group
ch1	Pan	0-255 0% to 100%	Pan
ch2	Pan fine	0-255 0% to 100%	
ch3	Tilt	0-255 0% to 100%	Tilt
ch4	Tilt fine	0-255 0% to 100%	
ch5	ZOOM	ZOOM 4-60°	Zoom
ch6	Dimmer	0-255 0% to 100%	
ch7	Strobe functions	0-005 Strobe open	Dimmer
		006-010 Strobe closed	
		011-033 Puls Random, slow -> fast	
		034-056 Ramp up Random, slow -> fast	
		057-079 Ramp down Random, slow -> fast	
		080-102 Random Strobe Effect, slow -> fast	
		103-127 Strobe Break Effekt, 5s.....1s (Short burst with break)	
		128-250 Strobe slow -> fast <1Hz - 20Hz	
251-255 Strobe open			
ch8	Red	0-255 0% to 100%	Red
ch9	Green	0-255 0% to 100%	Green
ch10	Blue	0-255 0% to 100%	Blue
ch11	White	0-255 0% to 100%	White
ch12	Device settings	0-005 no function	Device settings
		006-032 Blackout while Moving on (Hold 3s)	
		033-059 Blackout while Moving off (Hold 5s)	
		060-086 Invert Pan on (Hold 3s)	
		087-113 Invert Pan off (Hold 5s)	
		114-140 Invert Tilt on (Hold 3s)	
		141-167 Invert Tilt off (Hold 5s)	
		168-194 Silent Fan on (Hold 3s)	
		195-221 Silent Fan off (Hold 5s)	
		222-255 Reset All Functions (Hold 3s)	

- This equipment can be used in many places, it can hang and put on the ground.
- Choosing a suitable place to put or hang the equipment when installation. Must be use the special screws and hook to make sure the lamp's weight is in the weight range.
- When installing the equipment, ensure no inflammable and explosive goods at 0.5 meter distance.
- Please ask the professionals to install the equipment, any improper installation will cause personal injury or material damage.
- To prevent others entering the working area below, the installation or maintenance of equipment with suitable and stable platform
- The equipment must be placed in ventilated place, at least 50 cm from the ground, please ensure that the vent without clogging.



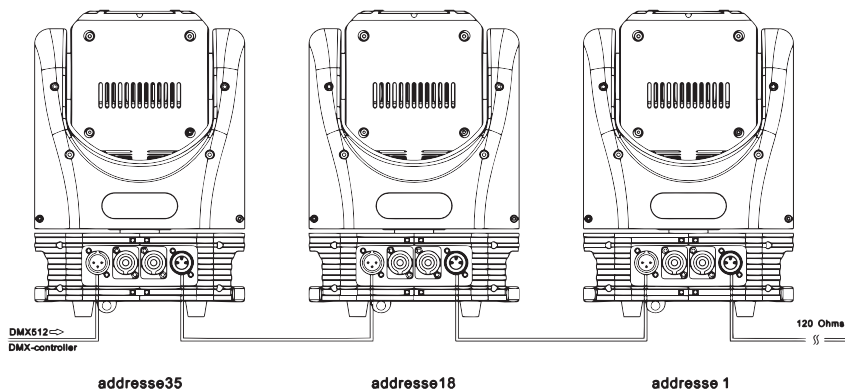
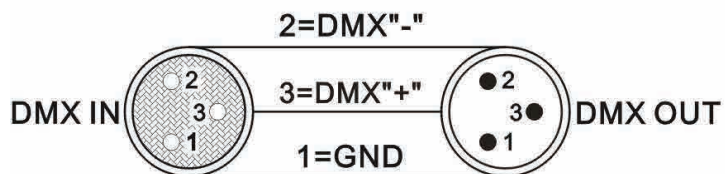
Power supply connection

The equipment can be used in the wide voltage input. Please make sure the voltage is the scale of rated voltage when connecting the power. The equipment can adapt to 100V to 240 V AC voltage and 50-60 Hz.

s	Connection	Pin
Brown	AC Live	1
Blue	AC Neutral	2
Green/Yellow	AC Ground	3

DMX Signal Connection

1. Use DMX512 controller, use the DMX signal (male) to plug into the first lamp(female) 3 pin.
2. Put out of the equipment of the first signal wire(head),connected to the equipment of the next 3 pin plug(female),so on.See belowed pictures.



Operating Instruction

Control board function

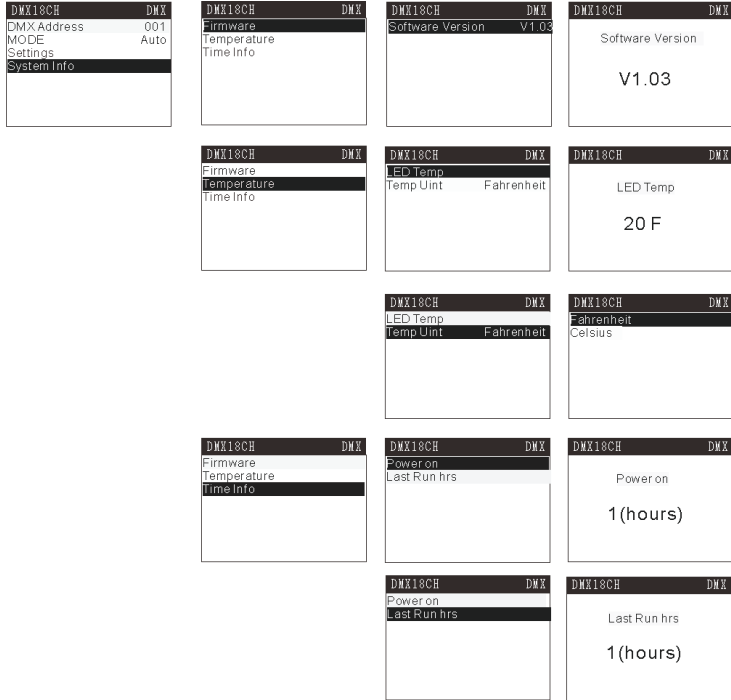
DMX Channel Table

DMX Mode 18CH

Channel	Function	Value	Sub-Group
ch1	Pan	0-255 0% to 100%	Pan
ch2	Pan fine	0-255 0% to 100%	
ch3	Tilt	0-255 0% to 100%	Tilt
ch4	Tilt fine	0-255 0% to 100%	
ch5	ZOOM	ZOOM 6-60°	Zoom
ch6	ZOOM Speed	0-255 ZOOM Fast -> Slow	ZOOM Speed
ch7	Dimmer	0-255 0% to 100%	Dimmer
ch8	Dimmer fine	0-255 0% to 100%	
ch9	Strobe functions	0-005 Strobe open	multifunctional-strobe
		006-010 Strobe closed	
		011-033 Puls Random, slow -> fast	
		034-056 Ramp up Random, slow -> fast	
		057-079 Ramp down Random, slow -> fast	
		080-102 Random Strobe Effect, slow -> fast	
		103-127 Strobe Break Effekt, 5s.....1s (Short burst with break)	
128-250 Strobe slow -> fast <1Hz - 20Hz			
	251-255 Strobe open		
ch10	Red	0-255 0% to 100%	Red
ch11	Green	0-255 0% to 100%	Green
ch12	Blue	0-255 0% to 100%	Blue
ch13	White	0-255 0% to 100%	White
ch14	Colour Macro (override RGBW)	0-005 Colour off	Colour Macro
		006-013 Red	
		014-021 Amber	
		022-029 Yellow warm	
		030-037 Yellow	
		038-045 Green	
		046-053 Turquoise	
		054-061 Cyan	
		062-069 Blue	
		070-077 Lavender	
		078-085 Mauve	
		086-093 Magenta	
		094-101 Pink	
		102-109 Warm White	
		110-117 White	
		118-125 Cold White	
		126-127 Colour Jumping Stop	
128-191 Colour Jumping Speed slow -> fast / Colour 1 -> 12			
192-255 Colour Fading Speed slow -> fast / Colour 1 -> 12			
ch15	Auto Program	0-005 off	Auto Program
		006-036 Auto Program 1	
		037-067 Auto Program 2	
		068-098 Auto Program 3	
		099-129 Auto Program 4	
		130-160 Auto Program 5	
		161-191 Auto Program 6	
		192-222 Auto Program 7	
223-255 Auto Program 8			
ch16	Pan/Tilt Speed (Set Speed of Pan&Tilt / Auto Programms / Pan&Tilt Macros)	0-255 Pan/Tilt Fast -> Slow	Pan/Tilt speed

DEVICE INFORMATION(System Info)

Pressing MODE will take you to the selection menu for system settings. Using UP and DOWN, select the menu item "System Info" (colored background) and confirm with ENTER. You will then be taken to the sub-menu to display the device information. Use the UP and DOWN panels again to select the desired sub-menu item and then press ENTER to retrieve the information.

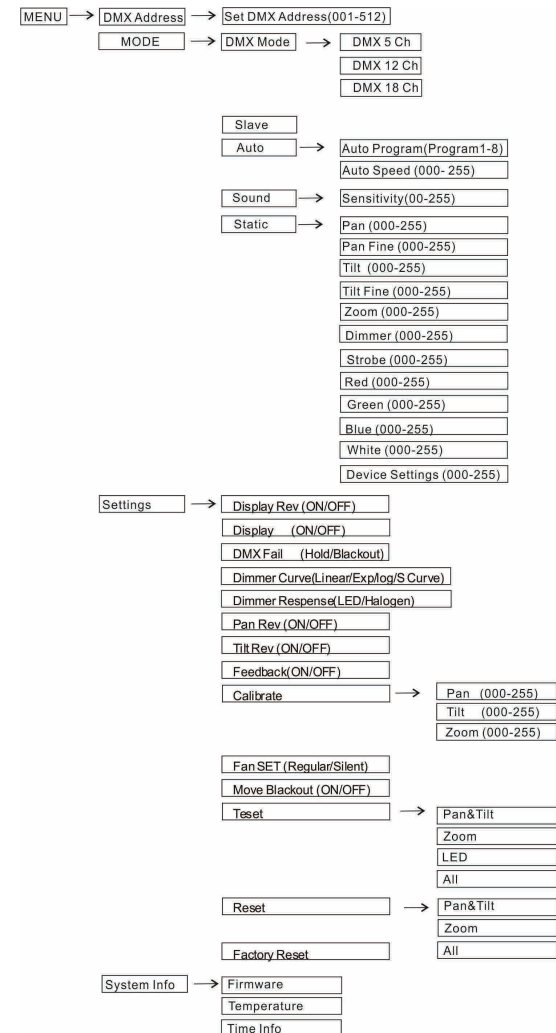


System Info			
Software Ver	=	Display the device software version	Vxxx
Temp info	=	Temperature display of the LED unit	LED Temp
			Temp Unit
Time info	=	Operating time display	Power on
			Last run hrs

Press the MODE button repeatedly to return to the main display. The main display is automatically activated if no input within about 30 seconds.

Button	Function
MENU	Choose Menu or function exit
ENTER	Current show menu or enter into the current selected function
UP	Increase the value
DOWN	Decrease the value

Menu Map



Menu Instruction :

MAIN DISPLAY DMX MODE

In the upper line of the display, the DMX (DMX 5Ch, 12Ch, 18Ch) is displayed and the DMX start address is prominently shown in the centre (for example DMX18Ch and ADDRESS 001). As soon as the DMX signal is interrupted, the display starts flashing; if the DMX signal is present again, the display stops flashing.



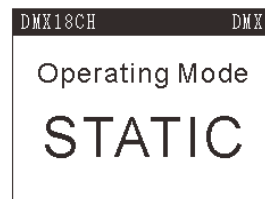
MAIN DISPLAY SLAVE MODE

In the upper line of the display, the preset DMX is displayed and "SLAVE" is prominently shown in the center. As soon as the control signal is interrupted, the display starts flashing; if the control signal is present again, the display stops flashing.



MAIN DISPLAY STANDALONE MODE

In the upper line of display, the preset DMX mode is displayed and the currently activated Sound mode, Auto mode, or Static mode.

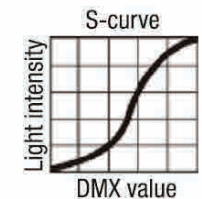
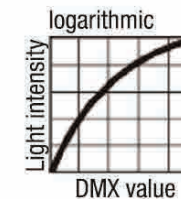
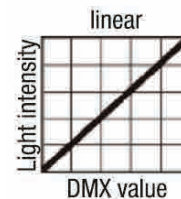


SETTING THE DMX START ADDRESS (ADDRESS)

Pressing MODE will take you to the selection menu for system setting. Using UP and DOWN, select the menu item "ADDRESS" (colored background) and confirm with ENTER. This is followed by the display of the menu item "Set DMX Address". Press ENTER again to select the DMX start address as desired by using the UP and DOWN button. If the start address is changed, the address color changes to red. Confirm with ENTER and Press MODE twice to return to the main display. The main display is automatically activated if no input is made within about 30 seconds.

Dimmer Response	=	Dimmer response	LED	=The spotlight responds abruptly to changes in the DMX value
			Halogen	=The spot behaves in a manner similar to that of a halogen lamp with gentle changes in brightness
Pan Rev	=	Pan Reverse	ON	=Reversal of the Pan direction
			OFF	=no reversal of the Pan direction
Tilt	=	Tilt Reverse	ON	=Reversal of the Tilt direction
			OFF	=no reversal of the Tilt direction
Pan Angle	=	Pan Angle	540	=Pan angle 540°
			630	=Pan angle 630°
Freedback	=	Position correction	ON	=activates automatic position correction
			OFF	=deactivates automatic position correction
Calibrate	=	Correction the position of pan, Tilt,	Pan	=Pan adjust
			Tilt	=Tilt adjust
Fan Set	=	Fan speed	Regular	=maximum brightness at normal fan function
			Silent	=if necessary, reduced brightness with silent fan
Test	=	Function test	ON	=step-by-step function test of LED and all motors (Pan, Tilt, Gobo...)
			OFF	=stops the function
Reset	=	Reset	Pan&Tilt	= Resetting of the Pan & Tilt motors
			All	= Resetting all motors and settings
Factory Reset		Reset to factory set	ON	=Do not perform reset
			OFF	= Reset to factory setting

DIMMER CURVES



	128	-	250	Strobe slow -> fast <1Hz - 20Hz
	251	-	255	Strobe open
Red	0	-	255	0%- 100%
Green	0	-	255	0%- 100%
Blue	0	-	255	0%- 100%
White	0	-	255	0%- 100%

DEVICE SETTINGS(Setting)

Pressing MODE will take you to the selection menu for system settings. Using UP and DOWN, select the menu item“Setting” (colored background) and confirm with ENTER. You will then be taken to the sub-menu to set the sub-menu items(set list).The main display is automatically activated if no input is made within about 30 seconds.

DMX18CH	DMX
DMX Address	001
MODE	Auto
Settings	
System Info	

DMX18CH	DMX
Display Rev	xxx
Display	xxx
Teset	xxx
Reset	xxx
Factory Reset	xxx

DMX18CH	DMX
ON	
OFF	

setting				
Display Rev	=	Flip Display	ON	=Rotation of the display by 180°(e.g. over head installation)
			OFF	=no rotation of the display
Display	=	Display lighting	ON	=permanently on
			OFF	=deactivation after approx.1 minutes of inactivity
DMX Fail	=	Operation status with DMX signal interruption	Hold	=last command is held
			Blackout	=activates Blackout
Dimmer Curve	=	Dimmer Curve	Linear	=The light intensity increases linearly with the DMX value
			Exp	=Adjustment of the light intensity is finer in the lower DMX value range and coarser in the upper DMX value range
			Log	=Adjustment of the light intensity is coarser in the lower DMX value range and finer in the upper DMX value range
			S Curve	=Adjustment of the light intensity is finer in the lower and upper DMX value ranges and coarser in the middle DMX value range

DMX18CH	DMX
DMX Address	001
MODE	Auto
Settings	
System Info	

DMX18CH	DMX
Set DMX Address	001

DMX18CH	DMX
Set DMX Address	001
	^
	v

SETTING THE DMX MODE(DMX MODE)

Pressing MODE will take you to the selection menu for system settings. Using UP and DOWN, select the menu item“MODE” (colored background) and confirm with ENTER. Now use the UP and DOWN buttons once more to select the “DMX MODE”sub-menu item and confirm button pressing ENTER. Using UP and DOWN, select the desired DMX mode(DMX 18Ch, 12Ch, DMX 5Ch) and confirm with ENTER. Press MODE twice to return to the main display. The main display is automatically activated if no input is made within about 30 seconds. You will find tables with the channels of the different DMX modes in this manual under DMX CONTROL.

DMX18CH	DMX
DMX Address	001
MODE	DMX18CH
Settings	
System Info	

DMX18CH	DMX
DMX MODE	yes
Slave	
Auto	
Sound	
Static	

DMX18CH	DMX
DMX 18 CH	
DMX 12 CH	
DMX 5 CH	

SETTING THE SLAVE MODE(Slave)

Pressing MODE will take you to the selection menu for system settings. Using UP and DOWN, select the menu item“MODE” (colored background) and confirm with ENTER. Now use the UP and DOWN buttons once more to select the “DMX MODE”sub-menu item and confirm button pressing ENTER and press MODE twice to return to the main display. The main display is automatically activated if no input is made within about 30 seconds. Connect the slave and the master unit(same model) with a DMX cable and activate one of the standalone modes(Auto, Static, Sound) on the master unit. Now the slave unit follows the master unit.

DMX18CH	DMX
DMX Address	001
MODE	SLAVE
Settings	
System Info	

DMX18CH	DMX
DMX MODE	yes
Slave	
Auto	
Sound	
Static	

SETTING THE AUTOMATIC CONTROL MODE(Auto)

Pressing MODE will take you to the selection menu for system settings. Using UP and DOWN, select the menu item“MODE” (colored background) and confirm with ENTER. Now use the UP and DOWN buttons once more to select the “Auto”sub-menu item and confirm button pressing ENTER, Using UP and DOWN , you can now select between Auto additional sub-menu items“Auto Program1-8”and“Auto Speed”.Select“Auto Program1-8”, Press ENTER ,If set the “Auto Speed”, Press ENTER again to select the auto auto speed(000-255) as desired button using the UP and DOWN buttons.

DMX18CH	DMX
DMX Address	001
MODE	Auto
Settings	
System Info	

DMX18CH	DMX
DMX MODE	yes
Slave	
Auto	
Sound	
Static	

DMX18CH	DMX
Auto program	
Auto speed	

DMX18CH	DMX
Auto program	
^	
program 1	
v	

DMX18CH	DMX
Auto program	
Auto speed	

DMX18CH	DMX
Auto speed	
^	
000	
v	

Sound MODE(Sound)

Pressing MODE will take you to the selection menu for system settings. Using UP and DOWN, select the menu item“MODE” (colored background) and confirm with ENTER. Now use the UP and DOWN buttons once more to select the “Sound”sub-menu item and confirm button pressing ENTER, Using UP and DOWN , You can now select Sound mode, the ENTER key operation, operate UP or DOWN key choice acoustic sensitivity adjustment (000-255).

DMX18CH	DMX
DMX Address	001
MODE	Auto
Settings	
System Info	

DMX18CH	DMX
DMX MODE	yes
Slave	
Auto	
Sound	
Static	

DMX18CH	DMX
Sensitivity	

DMX18CH	DMX
Sensitivity	
^	
000	
v	

STATIC MODE(Static)

In the same way as with a DMX control unit, the static mode allows you adjust an functions such as Pan.Pan fine,Tilt,Tilt fine,Dimmer ,Strobe,Colour wheel,Gobo wheel,Prism and directly on the device with values from 000 to 255.Thus, an individual scene can be created without an additional DMX controller ,pressing MODE will take you to the selection menu for system settings .Using UP and Down, select the menu item“Static”(coloredbackground)and confirm with ENTER, Use the UP and DOWN buttons to select the function of the LED Moving head that you wish to edit and confirm button pressing ENTER.The alue(Pan,Pan fine,,Tilt,Tilt fine,Zoom,Dimmer , Strobe,Red,Green,BLUE,WHINTE,etc., see list)of the corresponding function can now be set from 000-255 and press ENTER to confirm the input. Once all of the parameters have been set as desired, press MODE three to the main display. The main display is automatically activated if no input made within 30 seconds.

DMX18CH	DMX
DMX Address	001
MODE	Auto
Settings	
System Info	

DMX18CH	DMX
DMX MODE	yes
Slave	
Auto.	
Sound	
Static	

DMX18CH	DMX
Pan	000
Pan Fine	000
Tilt	000
.	
White	000
Device Settings	000

DMX18CH	DMX
Pan	
^	
000	
v	

STATIC				
Pan	0	-	255	0%100%
Pan fine	0	-	255	0%100%
Tilt	0	-	255	0%100%
Tilt fine	0	-	255	0%100%
Zoom	0	-	255	0%- 100%
Dimmer	0	-	255	0%- 100%
Strobe	000	-	005	Strobe open
	006	-	010	Strobe closed
	011	-	033	Puls Random, slow -> fast
	034	-	056	Ramp up Random, slow-> fast
	057	-	079	Ramp down Random, slow> fast
	080	-	102	Random Strobe Effect, slow -> fast
	103	-	127	Strobe Break Effekt, 5s1s (Short burst with break)