

IRIDIUM



Arc Par 1820 Pro WS RGBW IP65 8°

Product code: 106801

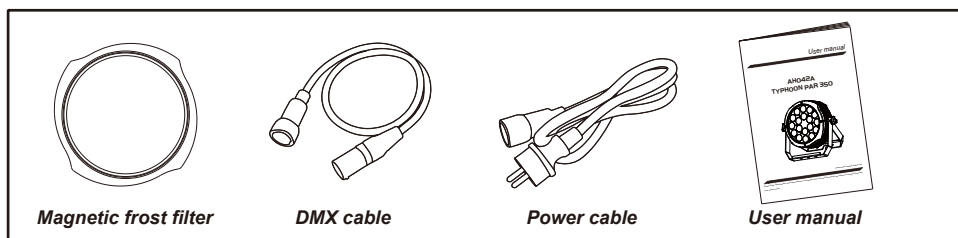
Packaging: Thanks for your purchasing the AH042A. All the lights have been checked and are in excellent operating condition. Please check the shipping carton first, because there may be damage occurred during the shipment. Then check the lights carefully and be sure that the lights is intact and works normally. In the event damage has been found, spare parts are missing or the lights works abnormally, please contact us for further instructions. And please don't return the lights to the dealer before contacting us.

Introduction: The AH042A has three operating modes: DMX mode, Auto mode and Master/Slave mode. And the lights has five DMX modes, including channel 3, channel 4, channel 7, channel 8 and channel 11. There are ten built-in Auto programs and you can see ten kinds of shows when you open the Auto mode. Meanwhile, you can edit your desired Auto program in "EDIT" menu. In addition, you can connect several pieces of lights in DMX mode and set one in Auto mode, and the others in Master/Slave mode. And then all the lights in Master/Slave mode will run following the one in Auto mode. Using fog or special effect smoke, you can see better showing effect.

Warning!

1. Don't expose the lights to rain or moisture, for the sake of preventing the risk of electrical shock or fire.
2. Don't look directly at the opening lights all the time, or it may damage your eyes.

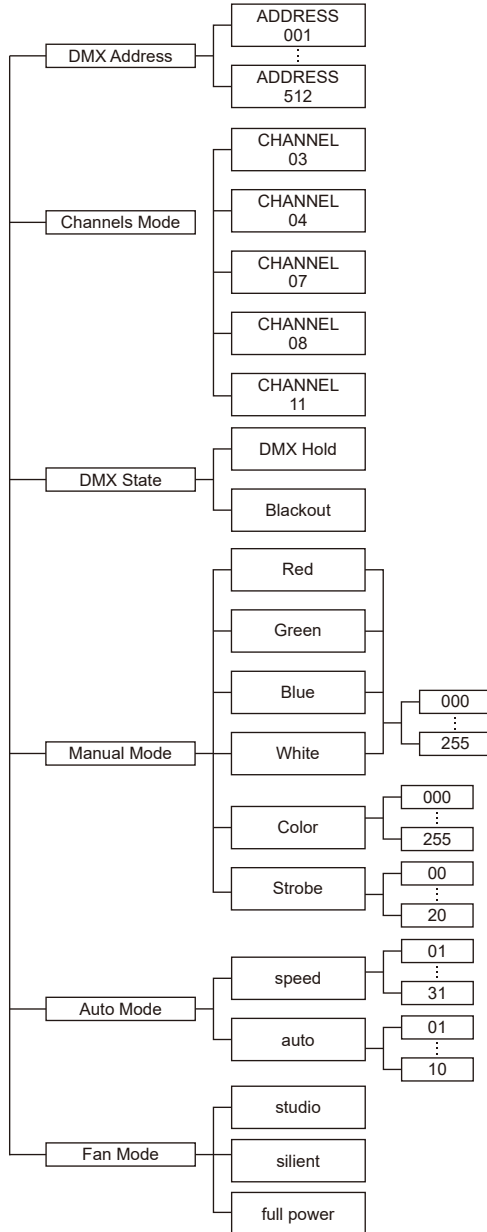
UNPACKING AND PREPARATION

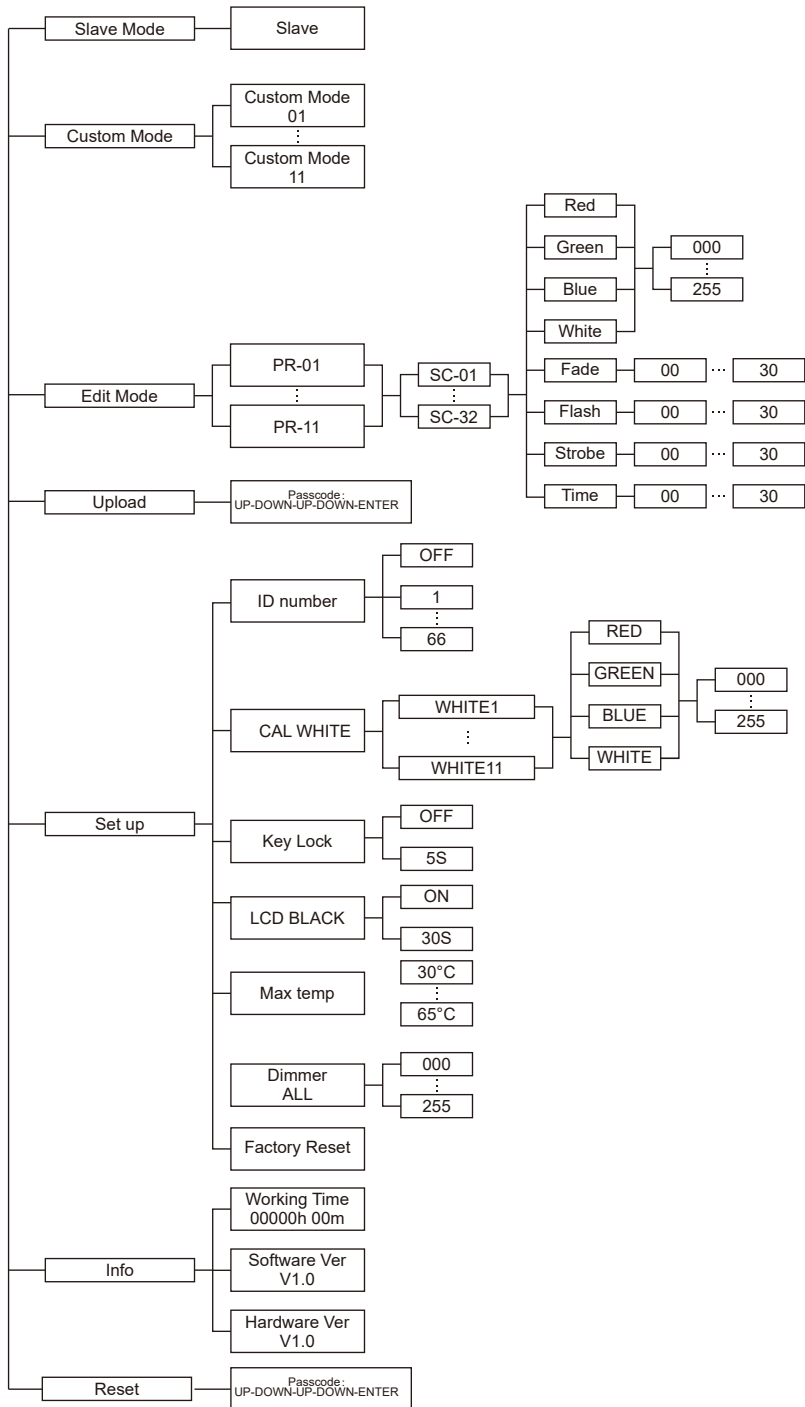


Features

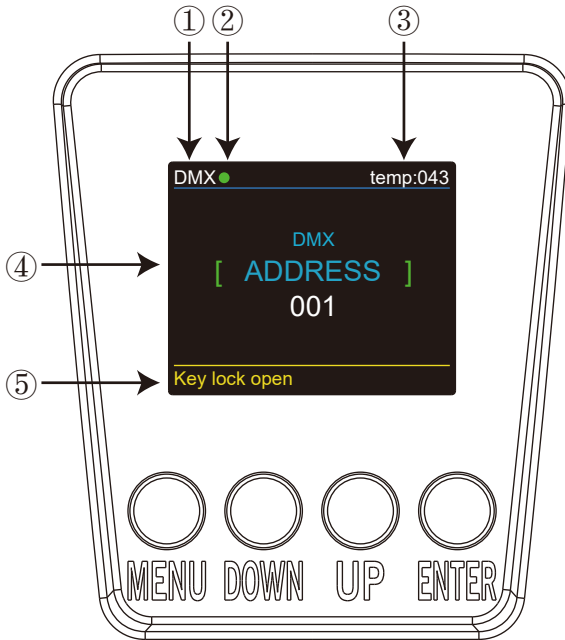
- Light Source: 18*20W, 4 in 1 RGBW LEDs
- Lens: 8°
- Power consumption: 350W
- Voltage: AC 90V -240V, 50/60Hz
- Run Mode: DMX 512 /Master Slave/Auto Run
- 10 internal programs and 11 customerize programs
- 4 different dimming curve
- 11 kinds of color temperature white
- Maximum 66 ID setng for easy separate control
- DMX Channels: 3, 4, 7, 8 & 11CH
- Built-in Effect: color mixing, variable color chasing, strobing and fading.
- TFT displayer with four buttons
- Material: Aluminum body
- IP65
- Temperature: -30 C~45 C
- Dimension: 345 X 132.5 X 328 mm
- N.W: 6.5 KG
- G.W: 8 KG

Programme Menu





Displayer introduction



1. DMX means the light is in the DMX mode. Similarly, SLAVE means the light is in the SLAVE mode.
2. The color of the point shows the condition of signal transmission. Green represents the good condition, while red represents the signal is interrupted.
3. The item shows the working temperature of the light. When the working temperature exceeds the max temperature, the color of the letters and number will change from white to yellow.
4. This item shows the menu you selected.
5. This item shows the condition of key lock. "Key lock open" means the key lock is open. And "Key lock off" means the key lock is close.

DMX Address-In this menu, you can select the DMX Address.

1. Press "ENTER" button and then UP or DOWN button until "DMX Address " is showed.
2. Press "ENTER" button, and "DMX Address" will be showed. Then press ENTER.
 - 1) "xxx" will be showed, "xxx" represents the showed address. You can press the UP or DOWN button to select your desired address.

Channels Mode-In this menu, you can connect several pieces of lights with DMX cable and control them with control console.

1. Press "ENTER" button and then UP or DOWN button until "Channels Mode " is showed.
2. Press "ENTER" button, and "Channels Mode" will be showed. Then press ENTER.
 - 1) "Channel [xx]" will be showed, "X" represents the showed DMX channel mode. You can press the UP or DOWN button to select your desired Channel mode.

DMX State-In this menu, you can learn about the information of DMX Hold and Blackout.

1. Press "ENTER" button and then UP or DOWN button until "DMX State" is showed.
2. Press "ENTER" button, and "DMX Hold" or "Blackout" will be showed. Then press ENTER, and you can select your desired mode.

Manual Mode-In this menu, you can adjust the value of static color and strobe speed as you like.

1. Press "ENTER" button and then UP or DOWN button until "Manual Mode" is showed.
2. Press "ENTER" button, and there are six options. Then press ENTER to select the option and press UP or DOWN button to select the value you desire as below:
 - 1) RED - You can adjust the red brightness in this menu.
 - 2) GREEN - You can adjust the green brightness in this menu.
 - 3) BLUE - You can adjust the blue brightness in this menu.
 - 4) WHITE - You can adjust the white brightness in this menu.
 - 5) COLOR -You can select 255 static color in this menu.
 - 6) STROB - You can adjust the strobe speed in this menu.

AUTO mode-In this menu, you can select your desire AUTO mode and adjust the running speed.

1. Press "ENTER" button and then UP or DOWN button until "AUTO mode" is showed.
2. Press "ENTER" button, and "SPEED" or "AUTO MODE" will be showed. Then press ENTER, and you can see two items as below:
 - 1) SPEED - You can select your desired speed in this menu.
 - 2) AUTO MODE - You can select your desired auto mode in this menu.

Slave Mode-In this menu, you can select SLAVE mode. In SLAVE mode, you can select one light as the MASTER light and other lights in SLAVE mode will run following the MASTER light.

1. Press "ENTER" button and then UP or DOWN button until "Slave MODE" is showed.
2. Press "ENTER" button, and "SLAVE" will be showed, then press ENTER to confirm.

CUSTOMER Mode-In this menu, you can select the AUTO program edited in the "EDIT" menu.

1. Press "ENTER" button and then UP or DOWN button until "CUSTOMER" is showed.
2. Press "ENTER" button, and there are 11 pre-programmed mode edited in the "EDIT" menu.

EDIT Mode-In this menu, you can edit your desired AUTO program.

1. Press "ENTER" button and then UP or DOWN button until "EDIT" is showed.

2. Press “ENTER” button, and open the “EDIT” mode to edit the custom programs from “PR.01” to “PR.11”. And there are 32 scenes that can be edited in each custom program.
3. You can edit a scene by adjusting the value of “RED (0~255)”, “GREEN (0~255)”, “BLUE (0~255)”, “WHITE (0~255)”, “FADE (0~30)”, “FLASH (0~30)”, “STROBE (0~30)” & “TIME (0~30)” as you like. Then the data will be saved, when you press the ENTER button for 5 seconds.

UPLOAD-In this menu, you can connect several pieces of lights with MAX cables and set one light as the MASTER and others in SLAVE mode. Then upload the custom program in the MASTER light to the lights in SLAVE mode.

1. Press “ENTER” button and then UP or DOWN button until “UPLOAD” is showed.
2. Press “ENTER” button to upload the custom programs from the MASTER light to the SLAVE ones. The password is [UP] + [DOWN] + [UP] + [DOWN].

SET UP-In this menu, you can adjust the value of the function.

1. Press “ENTER” button and then UP or DOWN button until “SET UP” is showed.
2. Press “ENTER” button, and there will be nine options. Then, press ENTER to select the option and press UP or DOWN button to select the value you desire as below.
 - 1) ID number - You can select an ID Number in this menu. Then, you can adjust the value of channel 11 to the corresponding scope and control the light individually with control console.
 - 2) CAL WHITE- You can select the value of 11 different white color. And there are 11 pre-programmed White colors that can be edited by adjusting the value of “Red”, “Green”, “Blue”, “White”.
 - 3) LCD BLACK - In this item, you can select “ON” or “30S”. If you select “ON”, the displayer will be on all the time. And if you select “30S”, the displayer will extinguish about ten seconds later.
 - 4) Key locks - You can select whether the password is ON or 30S in this menu, and the password is [UP] + [DOWN] + [UP] + [DOWN]. If you select “ON”, then you have to input the password before pressing the buttons. Otherwise, the light won't respond to your order.
 - 5) Max temp - You can set the your desired Max working temperature about the light in this menu. When the working temperature of the light exceeds the Max temperature, the color of letter “Temp xx°C” showed in the menu will change from white to yellow. Meanwhile, the light will adjust the working temperature automatically.
 - 6) Dimmer ALL - You can adjust the brightness of each color in this menu.
 - 7) Factory Reset – You can reset the light.

INFORMATION-In this menu, you can learn about the information of software, hardware and the working time of the light.

1. Press “ENTER” button and then UP or DOWN button until “INFORMATION” is showed.
2. Press “ENTER” button, and “Software” “Hardware” or “Fix times” will be showed. Then press ENTER, and you can see three items as below:
 - 1) Software - This item displays the Software information.
 - 2) Hardware - This item displays the Hardware information.
 - 3) Fix times - This item displays the working hours about the light.

RESET-In this menu, you can reset all the value of the system.

1. Press “ENTER” button and then UP or DOWN button until “RESET” is showed.
2. Press the ENTER button to reset all the value of the system.

DMX control mode

DMX 3 channel

channel	value	function
1	0 - 255	Hue
2	0 - 255	Saturation
3	0 - 255	Value(brightness)

DMX 4 channel

channel	value	function
1	0 - 255	Adjust red LEDs Dimmer from low to high
2	0 - 255	Adjust green LEDs Dimmer from low to high
3	0 - 255	Adjust blue LEDs Dimmer from low to high
4	0 - 255	Adjust white LEDs Dimmer from low to high

DMX 7 channel

channel	value	function
1	0 - 255	0 = Off 1 - 255 = Master dimmer
2	0 - 255	Adjust red LEDs Dimmer from low to high
3	0 - 255	Adjust green LEDs Dimmer from low to high
4	0 - 255	Adjust blue LEDs Dimmer from low to high
5	0 - 255	Adjust white LEDs Dimmer from low to high
6	0-9	No function
7	10-255	Strobe from slow to fast
	0 - 49	default dimmer
	50 - 99	Dimmer mode 1
	100 - 149	Dimmer mode 2
	150 - 199	Dimmer mode 3
	200 - 255	Dimmer mode 4

DMX 8 channel

channel	value	function
1	0 - 255	0 = Off 1 - 255 = Master dimmer
2	0 - 255	Adjust red LEDs Dimmer from low to high
3	0 - 255	Adjust green LEDs Dimmer from low to high
4	0 - 255	Adjust blue LEDs Dimmer from low to high
5	0 - 255	Adjust white LEDs Dimmer from low to high
6	0 - 23	none
	24 - 27	red
	28 - 31	green
	32 - 35	blue
	36 - 39	yellow
	40 - 43	cyan
	44 - 47	magenta
	48 - 51	white
	52 - 55	orange
	56 - 59	pink
	60 - 63	violet
	64 - 67	aquamarine
	68 - 71	sky blue
	72 - 75	full white
	76 - 79	cool white
	80 - 83	warm white
	84 - 87	white 3200
	88 - 91	white 2500
	92 - 95	yellow 2
	96 - 99	straw
	100 - 103	orange 2
	104 - 107	light rose
	108 - 111	dark pink
	112 - 115	magenta 2
116 - 119	blue 2	
120 - 123	med blue green	
124 - 127	dark blue	
128 - 131	bright pink	
132 - 135	medium blue	
136 - 139	golden amber	
140 - 143	deep golden amber	
144 - 147	pale lavender	
148 - 151	apricot	
152 - 155	dark lavender	

	156 - 159	chocolate
	160 - 163	just blue
	164 - 167	surprise pink
	168 - 171	scarlet
	172 - 175	surprise peach
	176 - 179	fire
	180 - 183	english rose
	184 - 187	mauve
	188 - 191	bright blue
	192 - 195	alice blue
	196 - 199	rose indigo
	200 - 203	urban blue
	204 - 207	cool blue
	208 - 211	Light salmon
	212 - 215	mayan sun
	216 - 219	cherry rose
	220 - 223	flesh pink
	224 - 255	skelton exotic sangria
7	0 - 7	Default
	8 - 17	Auto 1
	18 - 37	Auto 2
	38 - 57	Auto 3
	58 - 77	Auto 4
	78 - 87	Auto 5
	88 - 97	Auto 6
	98 - 107	Auto 7
	108 - 117	Custom1
	118 - 127	Custom2
	128 - 137	Custom3
	138 - 147	Custom4
	148 - 157	Custom5
	158 - 167	Custom6
	168 - 177	Custom7
	178 - 187	Custom8
	188 - 197	Custom9
198 - 207	Custom10	
208 - 255	Custom11	
8	0-9	No function
	10-255	Strobe from slow to fast

DMX 11 channel

channel	value	function
1	0 - 255	0 = Off 1 - 255 = Master dimmer
2	0 - 255	Adjust red LEDs Dimmer from low to high
3	0 - 255	Adjust green LEDs Dimmer from low to high
4	0 - 255	Adjust blue LEDs Dimmer from low to high
5	0 - 255	Adjust white LEDs Dimmer from low to high
6	0 - 10	No function
	11 - 20	R100%/Gup/B0%/W0%
	21 - 30	Rdown/G100%/B0%/W0%
	31 - 40	R0%/G100%/Bup/W0%
	41 - 50	Rup/Gdown/B100%W0%
	51 - 60	Rup/G0%/B100%/W0%
	61 - 70	R100%G0%Bdown/W0%
	71 - 80	R100%/G0%/B0%/Wup
	81 - 90	R100%/G0%/B0%Wdown
	91 - 100	R↑/G↓/B0%/W0%→R↓/G↑/B0%/W0%
	101 - 110	R↑/G0%/B↓/W0%→R↓/G0%B↑/W0%
	111 - 120	R0%/G↑/B↓/W0%→R0%/G↓/B↑/W0%
	121 - 130	R↑/G↑/B↓/W0%→R↓/G↓/B↑/W0%
	131 - 140	R↑/G↓/B↓/W0%→R↓/G↑/B↑/W0%
	141 - 150	R↑/G↓/B↑/W0%→R↓/G↑/B↓/W0%
	151 - 160	R↑/G0%/B↓/W0%→R↓/G↑/B0%/W0%→R0%/G↓/B↑/W0%
	161 - 170	R↑/G100%/B↓/W0%→R100%/G↓/B↑/W0%→R↓/G↑/B100%/W0% R↓/G↑/B0%/W0%→R0%/G↓/B↑/W0%→R0%G0%/B↓/W↑
	171 - 180	R↑/G0%/B0%/W↓ R0%/G100%/B↓/W0%→R↑/G100%B0%/W0%
	181 - 190	R100%/G↓/B0%/W0%→R100%/G0%/B↑/W0%→ R↓/G0%/B100%/W0%→R0%/G↑/B100%/W0%
	191 - 200	RGBW
	201 - 205	White 1
	206 - 210	White 2
	211 - 215	White 3
	216 - 220	White 4
	221 - 225	White 5
	226 - 230	White 6
231 - 235	White 7	
236 - 240	White 8	
241 - 245	White 9	
246 - 250	White 10	
251 - 255	White 11	

7	0 - 9	Default
	10 - 255	strobe (0Hz - 20Hz)
8	0 - 7	Default
	8 - 17	Auto 1
	18 - 37	Auto 2
	38 - 57	Auto 3
	58 - 77	Auto 4
	78 - 87	Auto 5
	88 - 97	Auto 6
	98 - 107	Auto 7
	108 - 117	Custom1
	118 - 127	Custom2
	128 - 137	Custom3
	138 - 147	Custom4
	148 - 157	Custom5
	158 - 167	Custom6
	168 - 177	Custom7
	178 - 187	Custom8
	188 - 197	Custom9
198 - 207	Custom10	
208 - 255	Custom11	
9	0 - 255	Speed when auto is enable
10	0 - 49	Off dimmer speed
	50 - 99	Dimmer speed 1
	100 - 149	Dimmer speed 2
	150 - 199	Dimmer speed 3
	200 - 255	Dimmer speed 4

Channel 11 (Id address set)

0--9	all Ids
10--19	Id1
20--29	Id2
30--39	Id3
40--49	Id4
50--59	Id5
60--69	Id6
70--79	Id7
80--89	Id8
90--99	Id9
100--109	Id10
110--119	Id11
120--129	Id12
130--139	Id13
140--149	Id14
150--159	Id15
160--169	Id16

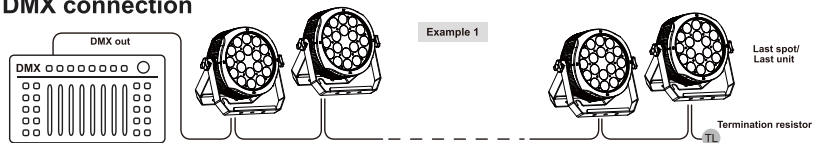
170--179	Id17
180--189	Id18
190--199	Id19
200--209	Id20
210	Id21
211	Id22
212	Id23
213	Id24
214	Id25
215	Id26
216	Id27
217	Id28
218	Id29
219	Id30
220	Id31
221	Id32
222	Id33

223	Id34
224	Id35
225	Id36
226	Id37
227	Id38
228	Id39
229	Id40
230	Id41
231	Id42
232	Id43
233	Id44
234	Id45
235	Id46
236	Id47
237	Id48
238	Id49
239	Id50

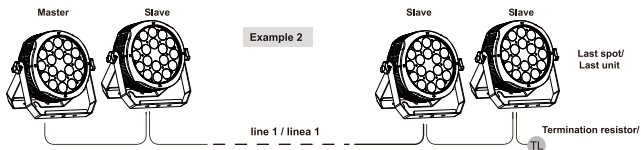
240	Id51
241	Id52
242	Id53
243	Id54
244	Id55
245	Id56
246	Id57
247	Id58
248	Id59
249	Id60
250	Id61
251	Id62
252	Id63
253	Id64
254	Id65
255	Id66

Connection

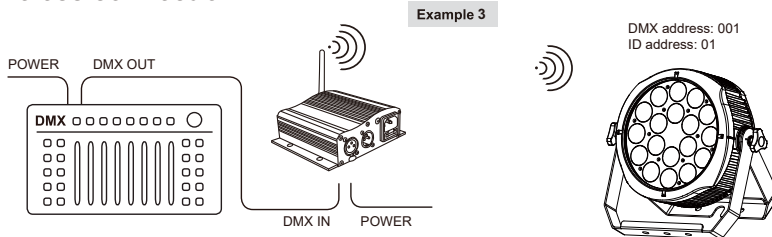
DMX connection



Master / Slave connection



Wireless connection



Connection

Press “ENTER” and then press “UP” or “DOWN” to “SET UP” .

Press “ENTER” and then press “UP” or “DOWN” to “Wireless rel” is displayed, press “ENTER”.Then press “DMX Mode” is ok.

Then, until Green wireless signal is showed. Then Wireless DMX connected success.

About the condition of wireless signal, green means the setting is successful,red means the signal is unsuccessful.

Release wireless DMX signal

Press “ENTER” and then press “UP” or “DOWN” to “Wireless rel”.

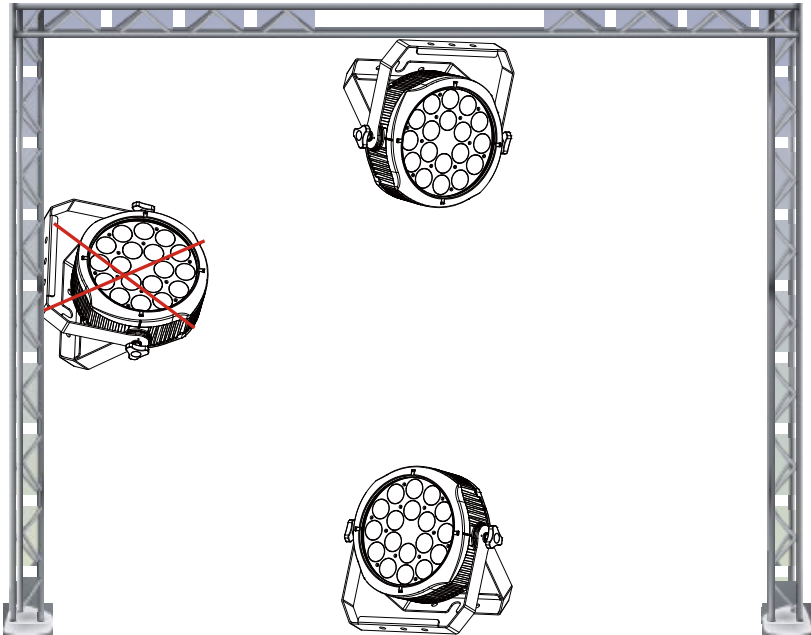
Press “ENTER” and then press “UP” or “DOWN” to “Release +/-”,and then long press “UP” or “DOWN” about 5-6 seconds. Until “clear is success” is showed. It means release signal successfully.

Mounting

When installing the unit, the trussing or area of installation must be able to hold 10 times the weight without any deformation. When installing the unit must be secured with a secondary safety attachment, e.g. and appropriate safety cable. Never stand directly below the unit when mounting, removing, or servicing the unit.

Overhead mounting requires extensive experience, including calculating working load limits, installation material being used, and periodic safety inspection of all installation material and unit. If you lack these qualifications, do not attempt the installation yourself.

The installation should be checked by a skilled person once a year.

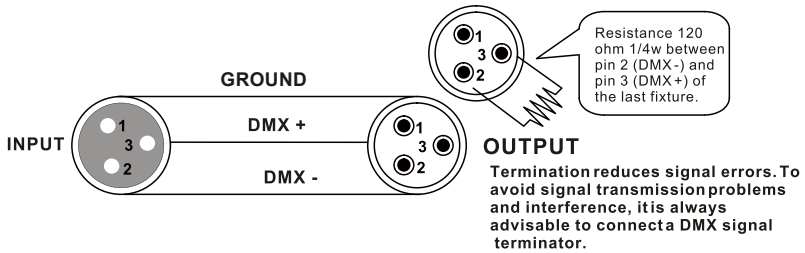


The Inno Pocket Spot is fully operational in two different mounting positions, hanging upside-down from a ceiling or set on a flat level surface. To avoid internal damage to the unit, never mount the unit on its side as illustrated above. Be sure this fixture is kept at least 0.5m away from any flammable materials (decoration etc.). And you'd better use and install the supplied safety cable as a safety measure to prevent accidental damage and/or injury in the event the clamp fails (see next page).

CABLE CONNECTORS

Cabling must have a male XLR connector on one end and a female XLR connector on the other end.

DMX connector configuration



caution: Do not allow contact between the ground and the fixture's chassis ground. Grounding the ground can cause a ground loop, and your fixture may perform erratically. Test cables with an ohm meter to verify positive pole and to make sure the pins are not grounded or shorted to the shield or each other.

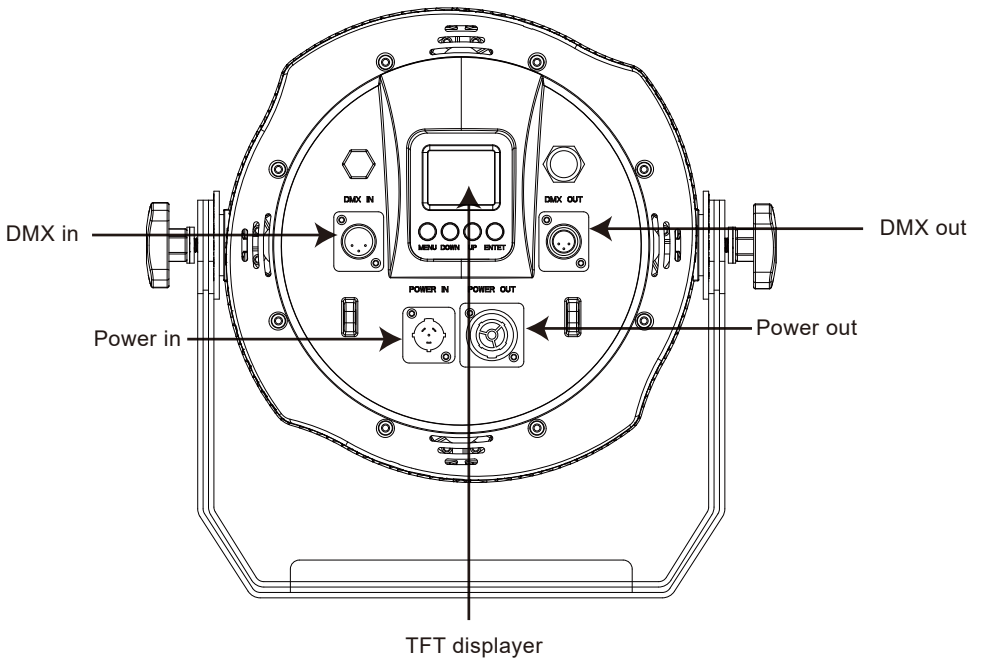
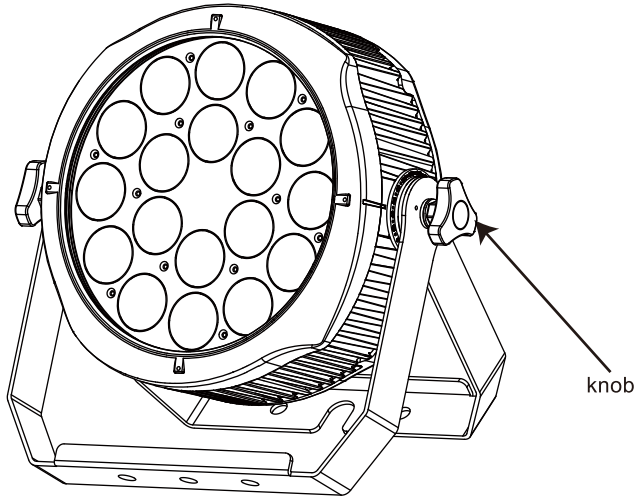
3-PIN TO 5-PIN CONVERSION CHART

Note! If you use a controller with a 5 pin DMX output connector, you need to use a 5 pin to 3 pin adapter. The chart below details a proper cable conversion:

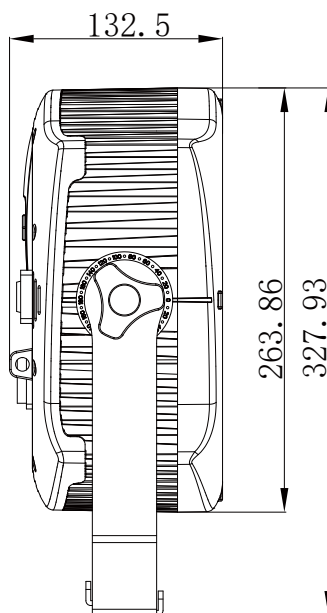
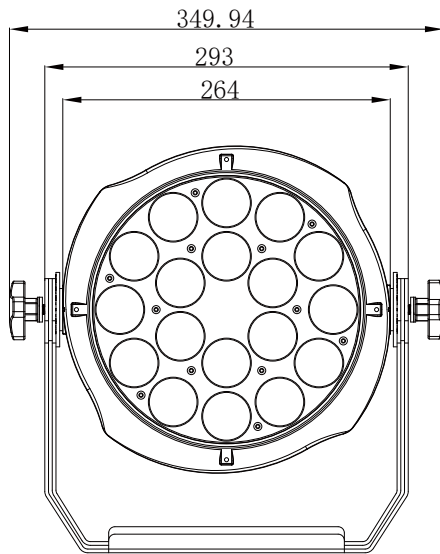
3-PIN TO 5-PIN CONVERSION CHART

Conductor	3 Pin Female (output)	5 Pin Male (Input)
Ground/Shield	Pin 1	Pin 1
Data (-) signal	Pin 2	Pin 2
Data (+) signal	Pin 3	Pin 3
Do not use		Do not use
Do not use		Do not use

Mechanical Specification



Product Overview



IMPORTER

B&K LUMITEC

ZI – 2 Rue Alfred Kastler – 67850 Herrlisheim – France

www.bklumitec.com

