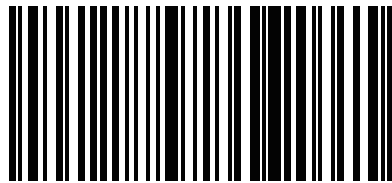


# IRIDIUM

**LED WASH PRO STROBE  
RGB+W IP65**

CODE 104262



3701098205342

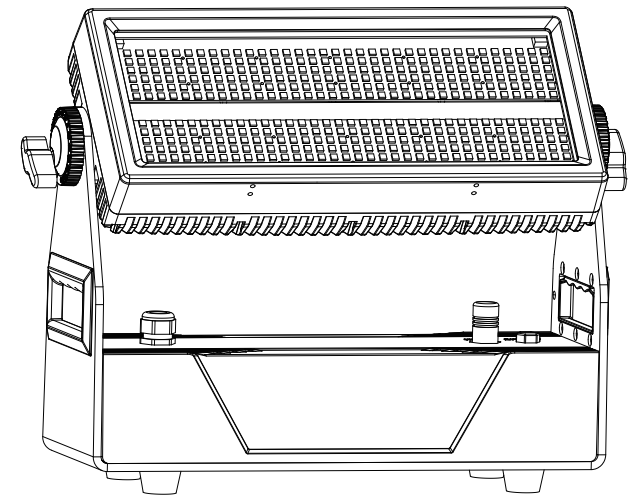
**IMPORTATEUR:**

**B&K LUMITEC**

**2 RUE ALFRED KASTLER ZONE  
INDUSTRIELLE 67850 HERRLISHEIM**

**FRANCE**

**WWW.BKLUMITEC.COM**



CODE 104262



## Safety Introduction Color Kid

Before you operate this unit read the manual carefully. Always make sure to include the manual if you pass/rent/sell the unit to another user. Keep in mind that this manual cannot address all possible dangers and environments. Please use your own caution when operating. This product is for professional use only. It is not for household use.



- Do not operate the unit in areas of high temperature conditions. It will cause abnormal function or damage the product.
- Always use a suitable safety wire when mounting the light overhead.
- Connect the safety wire only to the intended safety mount.
- Always follow local safety requirements.



- Only qualified personnel may repair this product.
- Do not open the product housing.
- Do not apply power if the light is damaged.



- Do not directly look into the light.
- It can cause harm to your eyes.
- Do not look at the LEDs with a magnifying glass or any other optical instrument that may concentrate the light output.
- Please don't look at the light directly when the light's radiation temperature reach 40 °C



- The exterior surfaces of the light can become hot, up to 55°C during normal operation.
- Ensure that accidental physical contact with the device is impossible.
- Install only in ventilated locations.
- Do not cover the light.



- Always charge with the flight case open.
- It is recommended to charge at a temperature between 15°C and 35°C



- Don't throw the unit into the garbage at the end of its lifetime.
- Make sure to dispose is according to your local ordinances and/or regulations, to avoid polluting the environment!
- The packaging is recyclable and can be disposed.



---2.0m ta 45 °C

## RDM--Remote Device Management

RDM is a wild version of the DMX512-A protocol, allowing dimming stations and other control devices to be discovered through a DMX512 network, and then configuring, status monitoring, and managing intermediate and line end devices.

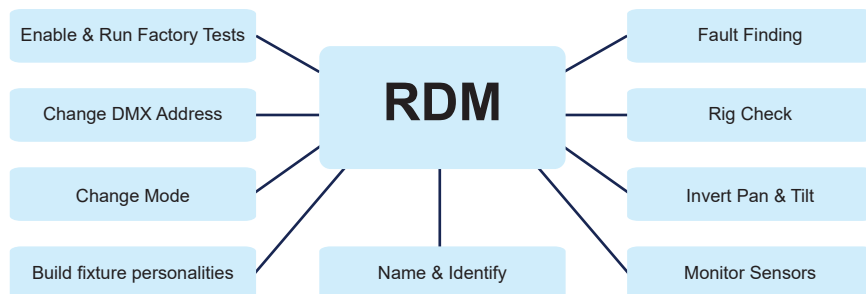
It allows two-way communication between the lighting device or system controller and the connected RDM compatible device through the standard DMX. This protocol will allow these devices to be configured, monitored, and managed in a manner that does not interfere with the normal operation of standard DMX512 devices that do not recognize the RDM protocol.

Allow a controller or test device to find other devices that can be RDM, such as computer lights or dimming cabinets, and remotely manage them through this connection intelligence. Including the ability to remotely set the initial address of the DMX512, query the device's errors or statistics, and achieve most of the configuration settings that are usually done on the front panel of the device. RDM can run with the new RDM device or any original DMX512 product on the same data link without any performance impact. Since RDM runs on the first DMX512 link, the only infrastructure upgrade required by RDM is to upgrade the existing data distributor to implement a two-way mode to support RDM.

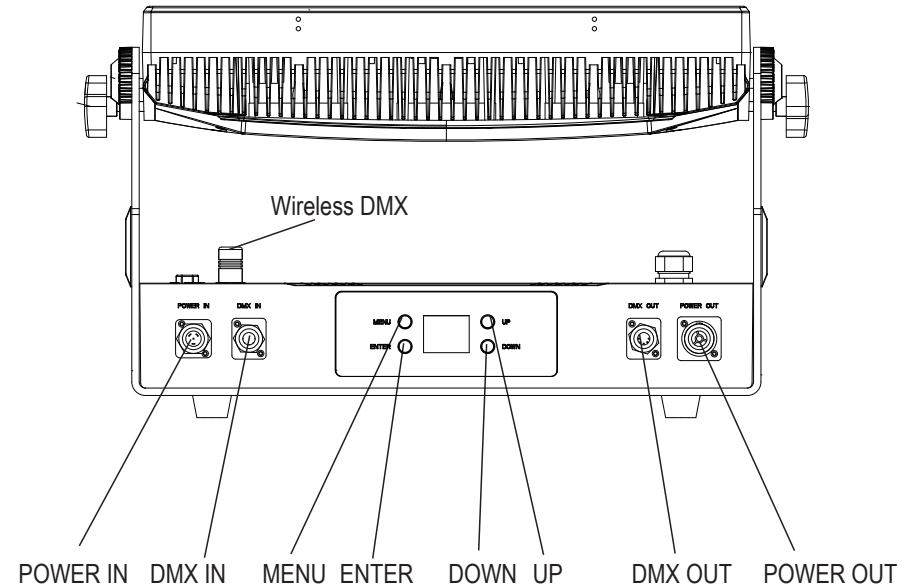
The RDM information is transmitted through the first pair of DMX512 data channels. RDM uses packets that include non-zero initial codes to start and control communications. This alternating (rotating) session and waiting for indicative responses is performed in a semi-duplex format. The second data pair is not used for any RDM function.

Two-way data transmission-each vendor's equipment can exchange data, Art-net can only transmit data, can not exchange with each other.

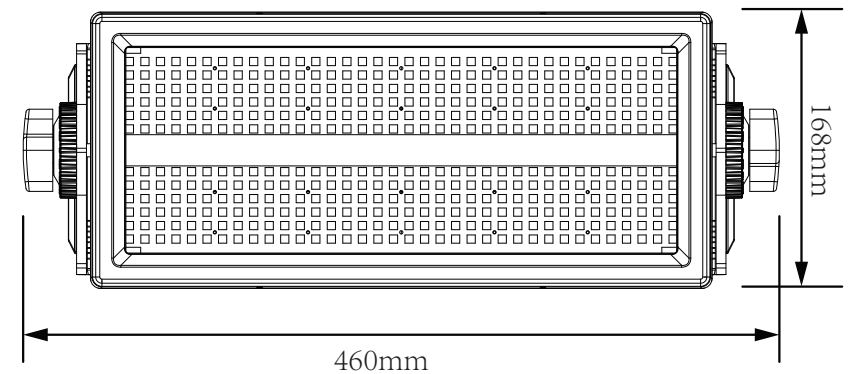
*Its functions are as followed:*

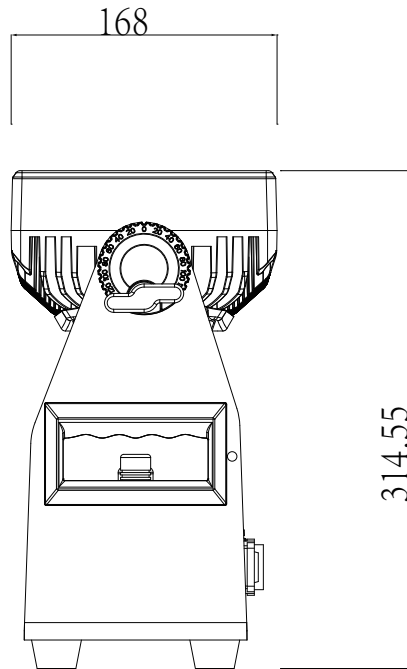


## Product Overview



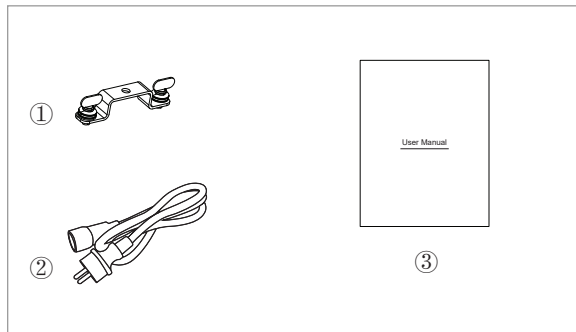
## Mechanical Specification





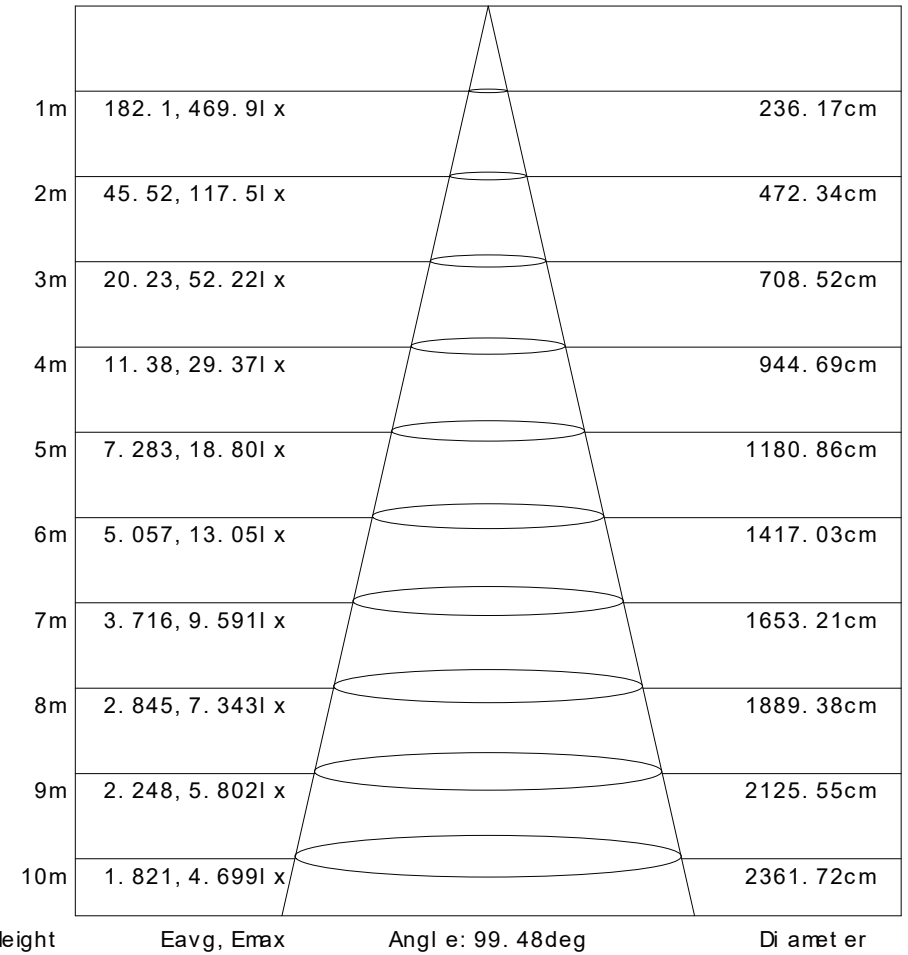
### Accessory

- ① 1/4 turn fast lock x 1
- ② Power cable x 1
- ③ User manual x 1



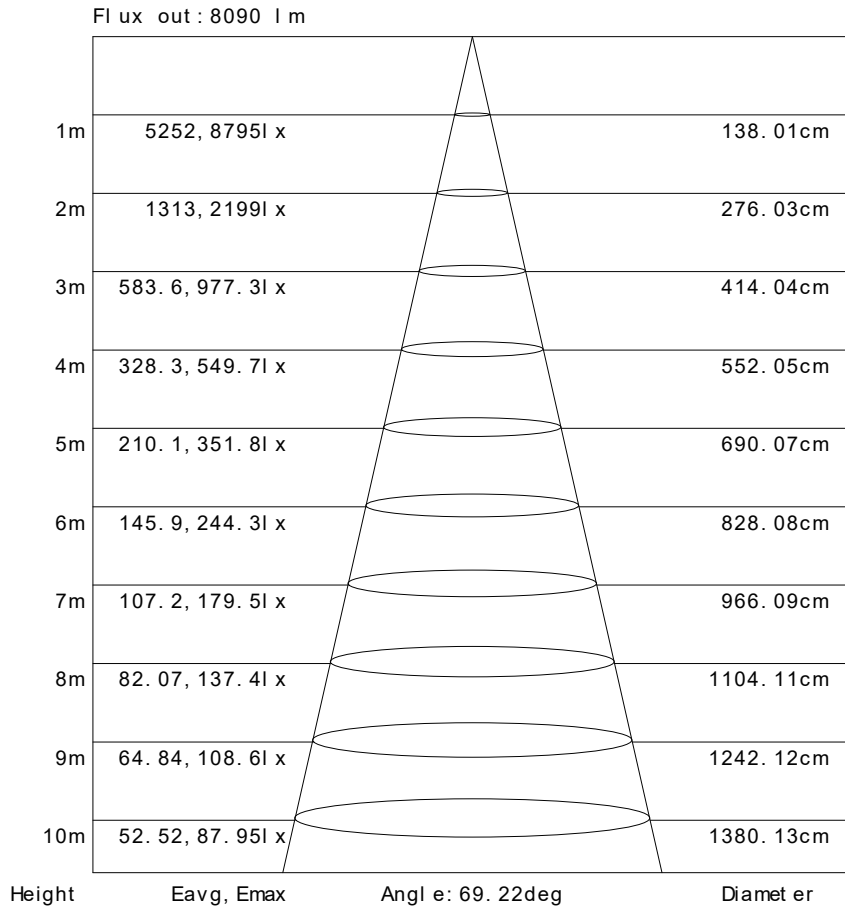
### RGB COLOR

Flux out : 812.4 l m



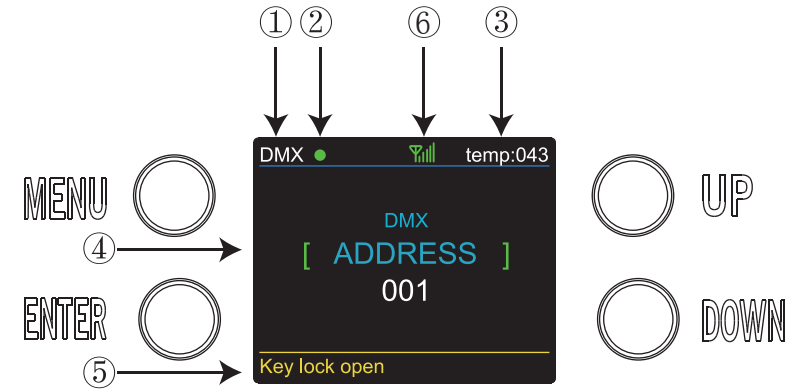
Note: The Curves indicate the illuminated area and the average illumination when the luminaire is at different distance.

## WHITE COLOR

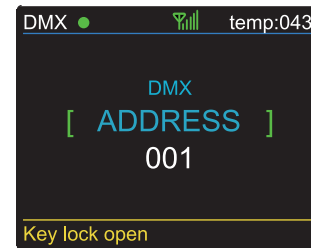


Note: The Curves indicate the illuminated area and the average illumination when the luminaire is at different distance.

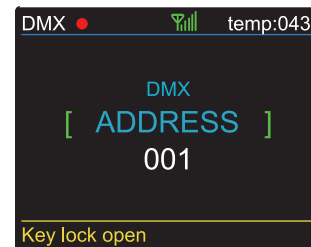
## Displayer Introduction



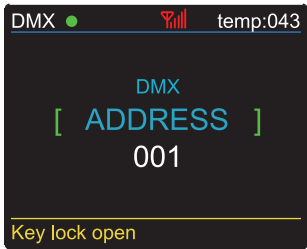
1. When you enter DMX Mode, it will be shown DMX, when you enter SLAVE Mode, it will be shown SLAVE.
2. This shows the condition of signal transmission. Green is connected. Red is disconnected.
3. This shows the temperature of the lights.
4. This shows the menus you can select.
5. This shows the condition of key lock. "Key lock open" means it is open and "Key lock off" means it is closed.
6. This shows the condition of wireless signal. Green is connected. Red is disconnected.



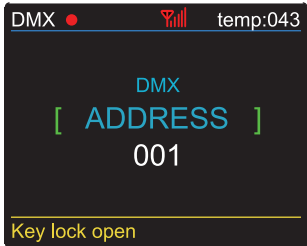
While DMX and Wireless signal are green, it means DMX Mode and Wireless are connected.



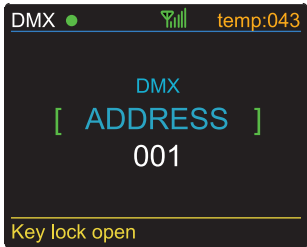
While DMX shows red but Wireless signal shows green, it means DMX Mode is disconnected and Wireless is connected.



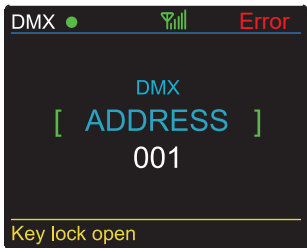
While DMX shows green but Wireless signal shows red, it means DMX Mode is connected and Wireless is disconnected.



While DMX and Wireless are show red, it means DMX Mode and Wireless are disconnected.



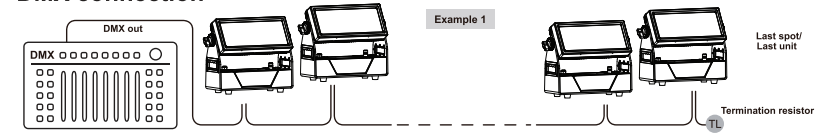
While the letters and number shows change from white to yellow, it means the temperature beyond max temperature of default settings.



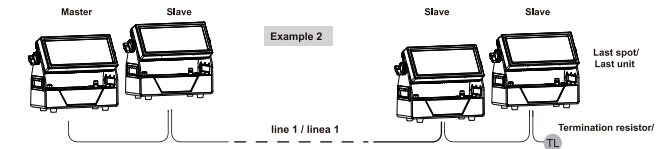
While the letters and number shows Error, it means have some problems of temperature.

## Connection

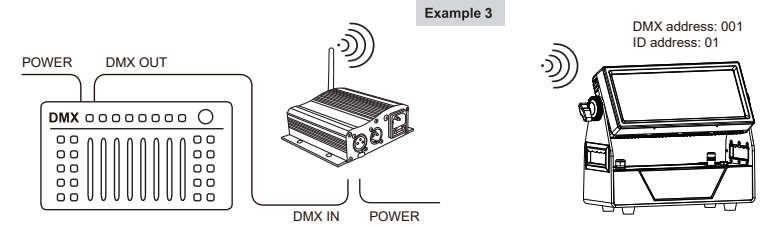
### DMX connection



### Master / Slave connection



### Wireless connection



## Connection

Press "ENTER" and then press "UP" or "DOWN" to "SET UP".

Press "ENTER" and then press "UP" or "DOWN" to "Wireless rel" is displayed, press "ENTER". Then press "DMX Mode" is ok.

Then, until Green wireless signal is showed. Then Wireless DMX connected success.

About the condition of wireless signal, green means the setting is successful, red means the signal is unsuccessful.

## Release wireless DMX signal

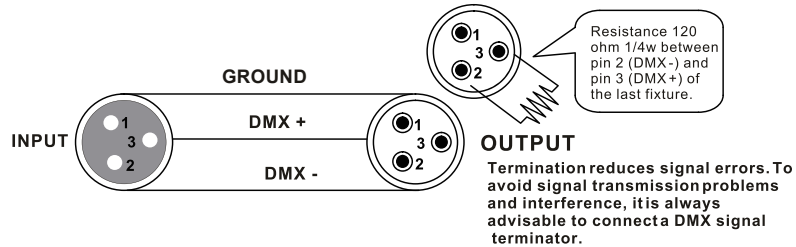
Press "ENTER" and then press "UP" or "DOWN" to "Wireless rel".

Press "ENTER" and then press "UP" or "DOWN" to "Release +/-", and then long press "UP" or "DOWN" about 5-6 seconds. Until "clear is success" is showed. It means release signal successfully.

## CABLE CONNECTORS

Cabling must have a male XLR connector on one's end and a female XLR connector on the other's end.

### DMX connector configuration



Caution: Do not allow contact between the ground and the fixture's chassis ground. Grounding the ground can cause a ground loop, and your fixture may perform erratically. Test cables with an ohm meter to verify positive pole and to make sure the pins are not grounded or shorted to the shield or each other.

### 3-PIN TO 5-PIN CONVERSION CHART

Please note if you use a controller with a 5 pin DMX output connector, you need to use a 5 pin to 3 pin adapter. The chart below details a proper cable conversion:

3-PIN TO 5-PIN CONVERSION CHART

Conductor	3 Pin Female (output)	5 Pin Male (Input)
Ground/Shield	Pin 1	Pin 1
Data ( - ) signal	Pin 2	Pin 2
Data ( + ) signal	Pin 3	Pin 3
Do not use		Do not use
Do not use		Do not use

## Features

### OPTICAL

- Light Source: 432 LEDs (tri-color) SMD 5050, 0.5 W, (25, 50,000 hours life expectancy)
- Light Source: 144pcs LEDs, (CW) 5 W, 6000K, 50,000 hours life expectancy
- Color Temperature (at full): 6000 K
- CRI: 75
- Beam Angle (RGB): 100°
- Beam Angle (white): 70°
- Lumens (RGB): 1162lumen
- Lumens (white): 14230lumen
- Illuminance(Full): 10200lux
- Illuminance (RGB): 117.51 lux @2m
- Illuminance (white): 9700lux @ 2 m
- Selectable PWM: RGB 3.91KHz, White 12.35KHz

### DYNAMIC EFFECTS

- Tilt: 180°
- Tilt Ranges: 0° to 180°
- Dimmer: Electronic
- Shutter/Strobe: Electronic
- Strobe Rate: 0 to 20 Hz
- Power consumption: 650W(Full power mode)
- Standalone Color Mixing: Yes
- Dim Modes: 4
- Built-in Automated Programs: Yes
- RGB: 12 sections. White led: 8 sections

### CONSTRUCTION / PHYSICAL

- Dimensions: 460 x 168 x 314.5 mm
- Weight: 13 kg
- Exterior Color: Black
- Housing Material: Magnesium alloy

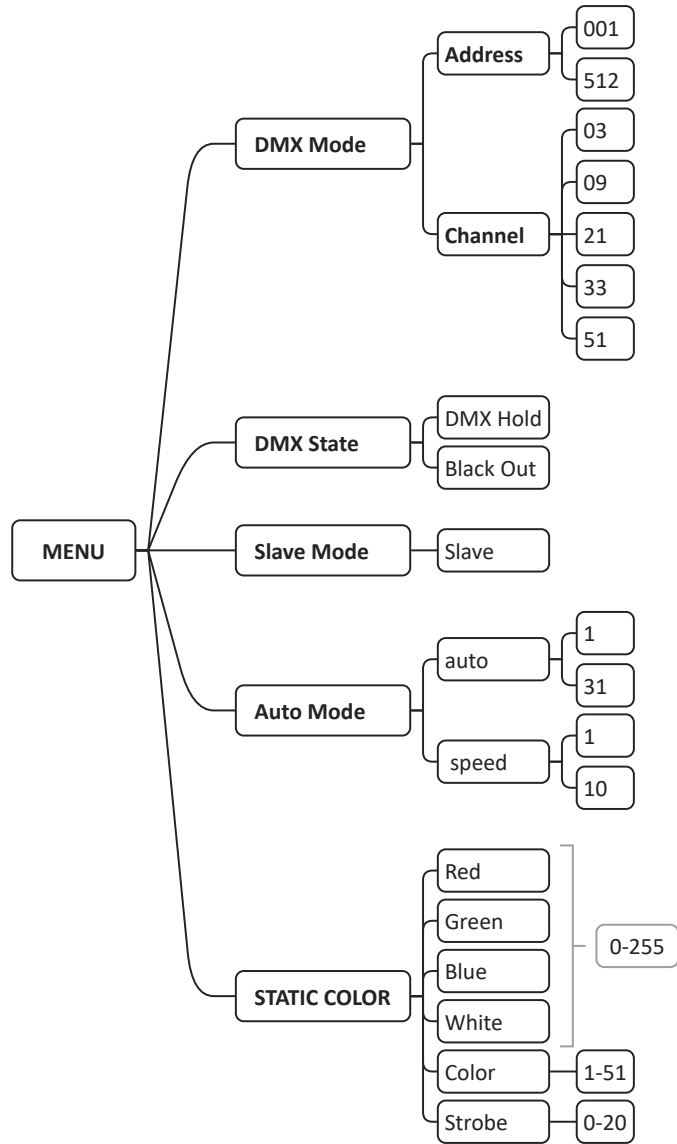
### CONNECTIONS

- Power Connection: (Local) plug to Seetronic Powerkon IP65
- Power Input: Seetronic Powerkon IP65
- Data Connectors: 3-pin IP65 XLR
- Cable Length (power): 1.5 m

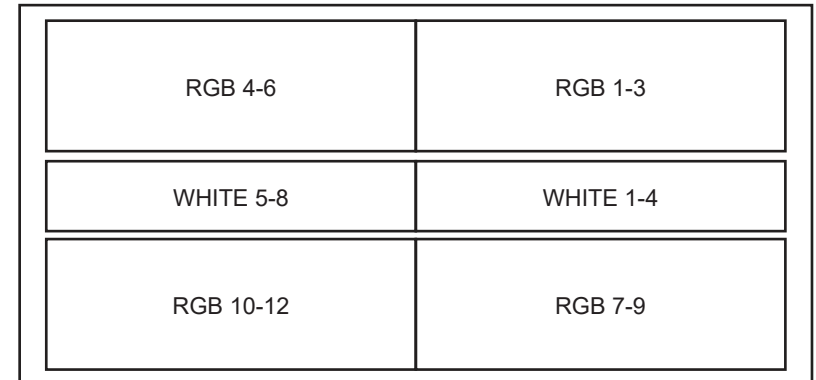
### CONTROL

- Control Protocol: DMX, RDM,
- DMX Channels: 3, 9, 21, 33 & 51 CH

# Programme Menu



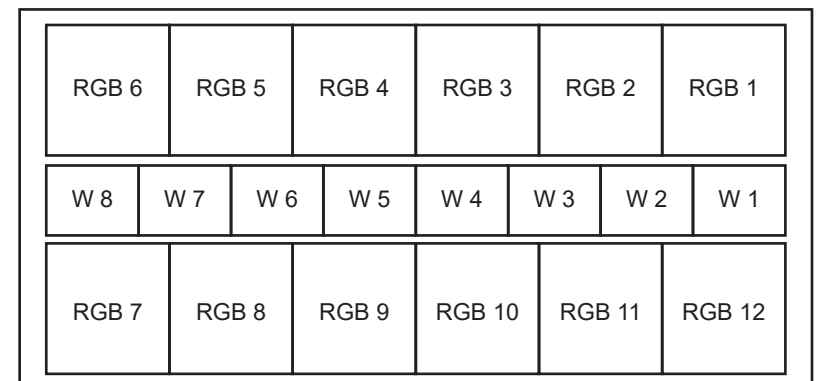
21 CH



33 CH



51 CH

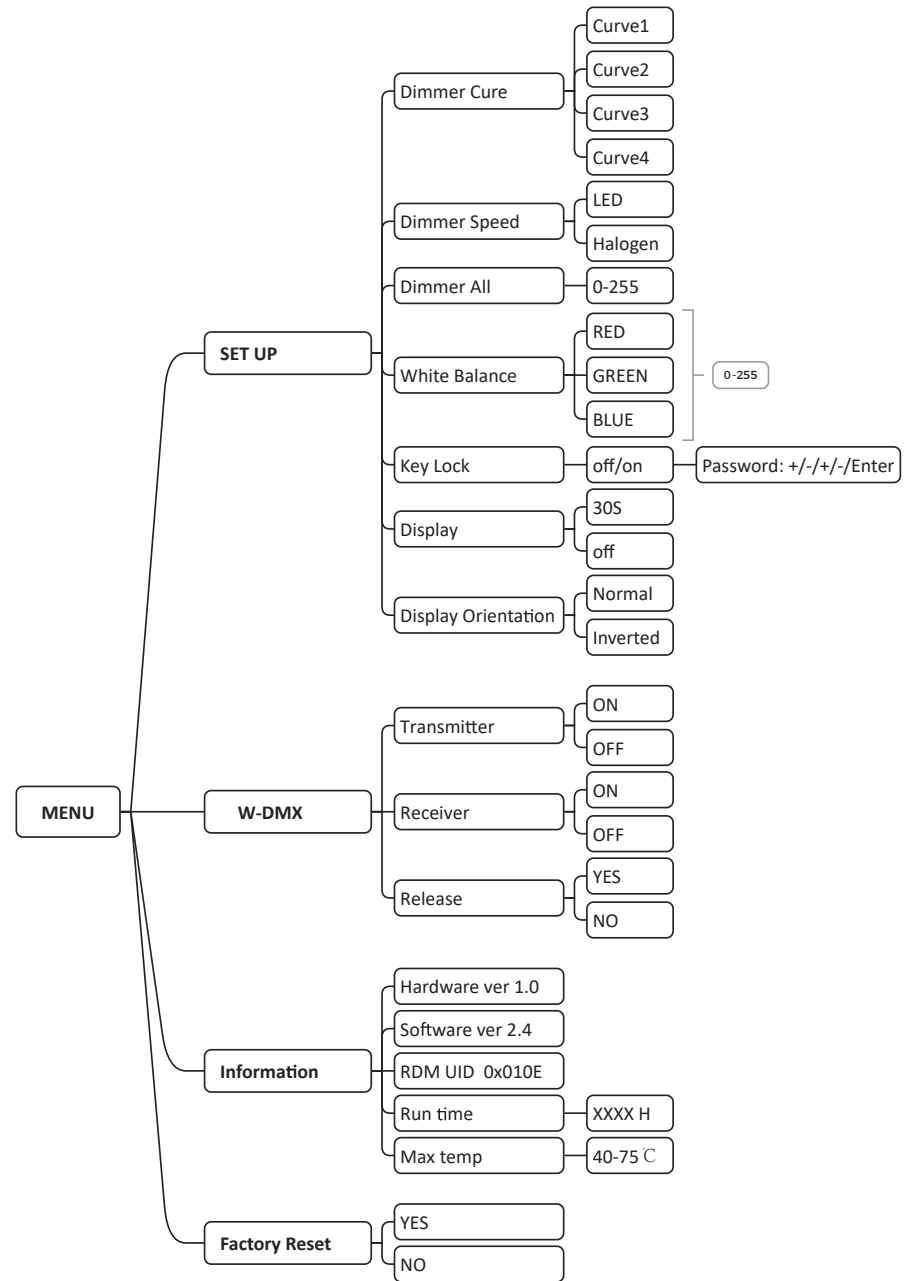
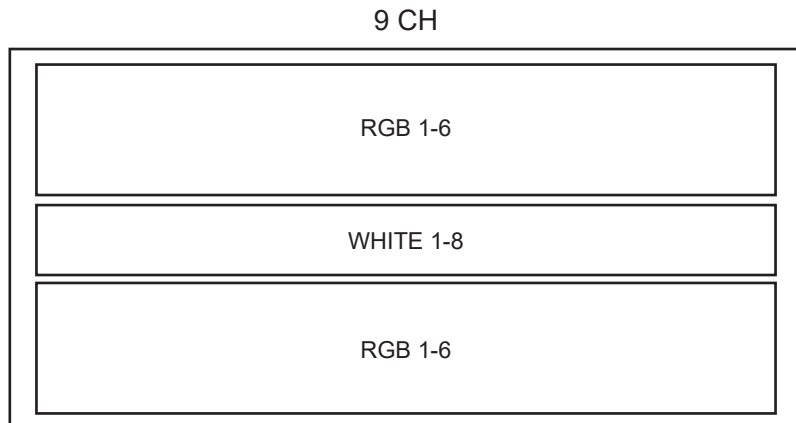




**Channel 51 (Id address set)**

0--9	all Ids	170--179	Id17	223	Id34	240	Id51
10--19	Id1	180--189	Id18	224	Id35	241	Id52
20--29	Id2	190--199	Id19	225	Id36	242	Id53
30--39	Id3	200--209	Id20	226	Id37	243	Id54
40--49	Id4	210	Id21	227	Id38	244	Id55
50--59	Id5	211	Id22	228	Id39	245	Id56
60--69	Id6	212	Id23	229	Id40	246	Id57
70--79	Id7	213	Id24	230	Id41	247	Id58
80--89	Id8	214	Id25	231	Id42	248	Id59
90--99	Id9	215	Id26	232	Id43	249	Id60
100--109	Id10	216	Id27	233	Id44	250	Id61
110--119	Id11	217	Id28	234	Id45	251	Id62
120--129	Id12	218	Id29	235	Id46	252	Id63
130--139	Id13	219	Id30	236	Id47	253	Id64
140--149	Id14	220	Id31	237	Id48	254	Id65
150--159	Id15	221	Id32	238	Id49	255	Id66
160--169	Id16	222	Id33	239	Id50		

**LED Partition Map**



## Operation

**DMX Address and Channels Mode-In these menu,you can connect several pieces of lights with DMX cable and control them with control console.**

1. Press "ENTER" and then press "UP" or "DOWN" to "DMX Address" or "Channels Mode" and press "ENTER".

1) "XXX" will be showed in "DMX Address", "XXX" means the Address 1-512. You can press "UP" or "DOWN" to select the address you desired.

2) "Channel [xx]" will be showed in "Channels Mode", "XX" means 5 kinds of DMX Channels Modes. You can press "UP" or "DOWN" to select the Channel Mode you desired.

**SLAVE MODE-In this menu, you can select one light as the MASTER light and other lights in SLAVE Mode will run following the MASTER light.**

1. Press "ENTER" and then press "UP" or "DOWN" to "SLAVE Mode".

2. Press "ENTER" and "SLAVE" will be showed, then press "ENTER" to select.

**SET UP-In this menu, you can adjust the value of the function.**

1. Press "ENTER" and then press "UP" or "DOWN" to "SET UP".

2. Press "ENTER" and there has 7 options then press "ENTER" to select the options and press "UP" or "DOWN" to select the value you desired as below:

1) **LCD Black** - You can select "ON" or "30s" to make the display screen keep on all the time or turns black after 30s.

2) **Key Lock** - You can select "OFF" or "5s" to make the Key Lock turn off all the time or turns off after 5s.

3) **ID number** - You can select "1-66" to adjust the value of Channel 12 to the corresponding scope and control the lights individually with control console.If you don't need this function you can select "OFF" to turn it off.

4) **Dimmer Curve** - It provides 4 kinds of dimmer curves for you choose.

5) **Rate** - it provides 5 kinds of refresh rates for your choose.

6) **Dimmer All** - You can adjust the brightness of colors.

7) **Max temp** - You can set the your desired Max working temperature of the light in this menu.When the working temperature beyond max temperature of default settings, the color of letter "Temp XX" will show the color from white to yellow.Meanwhile, the light will adjust the working temperature automatically.

**INFORMATION-In this menu, you can learn about the information of RDM, software, hardware and the working time of the light.**

1. Press "ENTER" and then press "UP" or "DOWN" to "INFORMATION".

2. Press "ENTER" and select "RDM", "Software", "Hardware" or "Fix times".Then press "ENTER",you can see 4 items as below:

1) RDM - It shows RDM information.

2) Hardware - It shows the Hardware information.

3) Software - It shows the Software information.

4) Working times - It shows the working hours of the light.

**AUTO MODE-In this menu, you can select your desire AUTO Mode and adjust the running speed.**

1. Press "ENTER" and then press "UP" or "DOWN" to "AUTO MODE".

2. Press "ENTER" then "SPEED" or "AUTO MODE" is showed.Then press "ENTER" and you can see 2 items as below:

1) SPEED - It provides "01-31" for you choose.

2) AUTO MODE - It provides "AUTO 1- AUTO 15" for you choose.

**CUSTOM MODE-In this menu,you can select the Pre- Programmed Modes which edited.**

1. Press "ENTER" and then press "UP" or "DOWN" to "CUSTOMER MODE".

2. Press "ENTER" and there are 11 pre-programmed modes edited for you choose.

18	000 - 255	Red 5
19	000 - 255	Green5
20	000 - 255	Blue5
21	000 - 255	Red 6
22	000 - 255	Green6
23	000 - 255	Blue6
24	000 - 255	Red 7
25	000 - 255	Green7
26	000 - 255	Blue7
27	000 - 255	Red 8
28	000 - 255	Green8
29	000 - 255	Blue8
30	000 - 255	Red 9
31	000 - 255	Green9
32	000 - 255	Blue9
33	000 - 255	Red 10
34	000 - 255	Green10
35	000 - 255	Blue10
36	000 - 255	Red 11
37	000 - 255	Green11
38	000 - 255	Blue11
39	000 - 255	Red 12
40	000 - 255	Green12
41	000 - 255	Blue12
42	000 - 255	White section 1
43	000 - 255	White section 2
44	000 - 255	White section3
45	000 - 255	White section 4
46	000 - 255	White section 5
47	000 - 255	White section 6
48	000 - 255	White section 7
49	000 - 255	White section 8
50	000 - 255	auto 1-31
51	000 - 255	auto speed

21	000 - 255	Red 6
22	000 - 255	Green6
23	000 - 255	Blue6
24	000 - 255	White section 1
25	000 - 255	White section 2
26	000 - 255	White section 3
27	000 - 255	White section 4
28	000 - 255	White section 5
29	000 - 255	White section 6
30	000 - 255	White section 7
31	000 - 255	White section 8
32	000 - 255	auto 1-31
33	000 - 255	auto speed

51 CHANNELS		
Channel	Value	Function
1	000 - 255	Master Dimmer
2	000 - 255	Flash intensity
3	000 - 255	Flash Duration
4	000 - 255	Flash Rate
5	000 - 255	Color marco 0-51
6	000 - 255	Red 1
7	000 - 255	Green1
8	000 - 255	Blue1
9	000 - 255	Red 2
10	000 - 255	Green2
11	000 - 255	Blue2
12	000 - 255	Red 3
13	000 - 255	Green3
14	000 - 255	Blue3
15	000 - 255	Red 4
16	000 - 255	Green4
17	000 - 255	Blue4

**CAL WHITE-In this menu,you can adjust the value of 11 different white colors.**

1. Press "ENTER" and then press "UP" or "DOWN" to "CAL WHITE".
2. Press "ENTER" and there are 11 pre-programmed White colors that can be edited by adjusting the value of "Red", "Green", "Blue" and "White".

**RELEASE-In this menu,you can clear the Wireless DMX signal.**

1. Press "ENTER" and then press "UP" or "DOWN" to "RELEASE".
2. Press "ENTER" and you can see "Release +/-",then you can press "UP" or "DOWN" to clear the wireless DMX signal.

**WIRELESS-In this menu,you can set the Wireless signal.**

1. Press "ENTER" and then press "UP" or "DOWN" to "WIRELESS".
2. Press "ENTER" and then select "ON" or "OFF" to set the Wireless signal."ON" is turn on the signal and "OFF" is turn off the signal.

**Manual MODE-In this menu,you can select red,green,blue,white,stroke and Color you desired.**

1. Press "ENTER" and then press "UP" or "DOWN" to "MANUAL MODE".
2. Press "ENTER" and there has 6 options then press "UP" or "DOWN" to select the value you desired as below:
  - 1) RED - You can adjust the red brightness in this menu.
  - 2) GREEN - You can adjust the green brightness in this menu.
  - 3) BLUE - You can adjust the blue brightness in this menu.
  - 4) WHITE - You can adjust the white brightness in this menu.
  - 5) STROBE - You can choose 20 kinds of strobe modes in this menu.
  - 6) COLOR - You can choose 70 kinds of color modes in this menu.

**DMX STATE-In this menu,you can select the DMX signal you desired.**

1. Press "ENTER" and then press "UP" or "DOWN" to "DMX STATE".
2. Press "ENTER" and you can select "BLACKOUT" or "DMX HOLD"."BLACKOUT" means cut off the DMX signal and "DMX HOLD" means connect DMX signal.

**EDIT MODE-In this menu, you can edit your desired AUTO program.**

1. Press "ENTER" and then press "UP" or "DOWN" to "EDIT".
2. Press "ENTER" and open the "EDIT" to edit the custom programs from"PR.01" to "PR.11".And there are 32 scenes that can be edited in each custom program.
3. You can edit a scene by adjusting the value of "RED (0~255)", "GREEN (0~255)", "BLUE (0~255)", "WHITE (0~255)", "FADE (0~30)", "FLASH(0~30)", "STROBE (0~30)" and "TIME (0~30)" as you like. Then the data will be saved when you pressed "ENTER" after 5s.

**UPLOAD-In this menu,you can connect several pieces of lights with MAX cables and set one light as the MASTER and others in SLAVE mode.Then upload the custom program in the MASTER light to the lights in SLAVE mode.**

1. Press "ENTER" and then press "UP" or "DOWN" to "UPLOAD".
2. Press "ENTER" to upload the custom programs from the MASTER ones to the SLAVE ones.

**FACTORY RESET-In this menu, you can reset all the value of the system.**

1. Press "ENTER" and then press "UP" or "DOWN" to "RESET".
2. Press "ENTER" to reset all the values of the system.

## DMX control mode

3 CHANNELS		
Channel	Value	Function
1	000 - 255	Flash intensity
2	000 - 255	Flash Duration
3	000 - 255	Flash Rate

9 CHANNELS		
Channel	Value	Function
1	000 - 255	Master Dimmer
2	000 - 255	Flash intensity
3	000 - 255	Flash Duration
4	000 - 255	Flash Rate
5	000 - 255	Color marco 0-51
6	000 - 255	Red 1-6
7	000 - 255	Green 1-6
8	000 - 255	Blue 1-6
9	000 - 255	White section 1-8

21 CHANNELS		
Channel	Value	Function
1	000 - 255	Master Dimmer
2	000 - 255	Flash intensity
3	000 - 255	Flash Duration
4	000 - 255	Flash Rate
5	000 - 255	Color marco 0-51
6	000 - 255	Red 1-3
7	000 - 255	Green1-3
8	000 - 255	Blue1-3
9	000 - 255	Red 4-6
10	000 - 255	Green 4-6

11	000 - 255	Blue 4-6
12	000 - 255	White section 1-4
13	000 - 255	White section 5-8
14	000 - 255	Red 7-9
15	000 - 255	Green 7-9
16	000 - 255	Blue 7-9
17	000 - 255	Red 10-12
18	000 - 255	Green 10-12
19	000 - 255	Blue 10-12
20	000 - 255	auto 1-31
21	000 - 255	auto speed

33 CHANNELS		
Channel	Value	Function
1	000 - 255	Master Dimmer
2	000 - 255	Flash intensity
3	000 - 255	Flash Duration
4	000 - 255	Flash Rate
5	000 - 255	Color marco 0-51
6	000 - 255	Red 1
7	000 - 255	Green1
8	000 - 255	Blue1
9	000 - 255	Red 2
10	000 - 255	Green2
11	000 - 255	Blue2
12	000 - 255	Red 3
13	000 - 255	Green3
14	000 - 255	Blue3
15	000 - 255	Red 4
16	000 - 255	Green4
17	000 - 255	Blue4
18	000 - 255	Red 5
19	000 - 255	Green5
20	000 - 255	Blue5