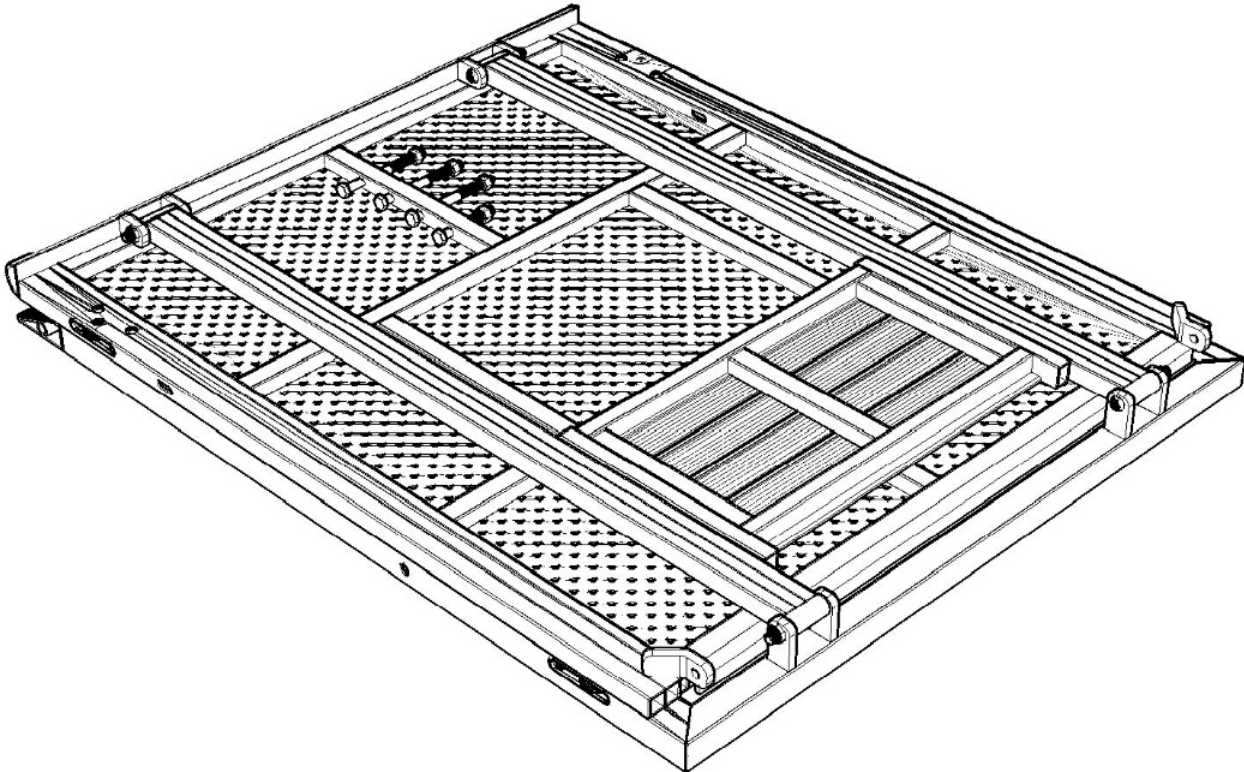


Manual - Aluminum Concert Barrier

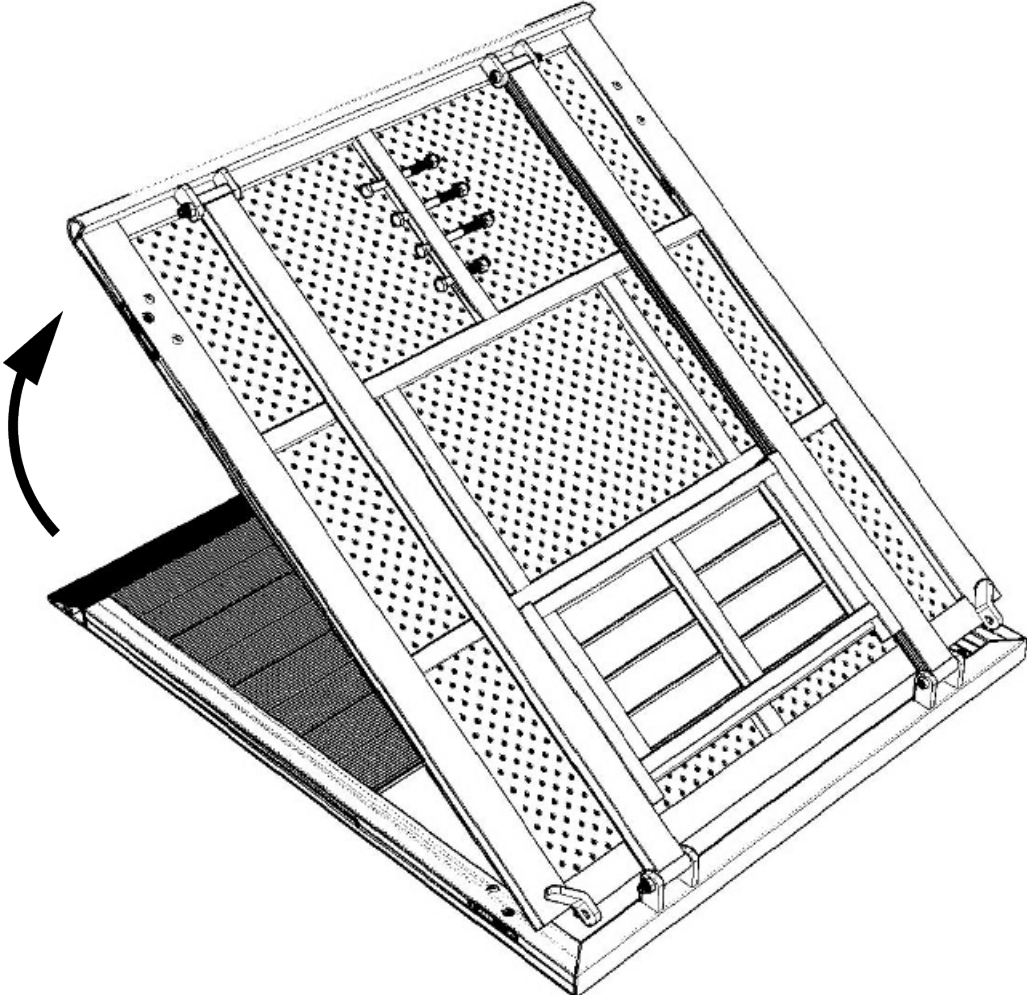
CONTENTS

| | |
|---------------------------------|-----|
| General Type | / 1 |
| Corner Type | / 5 |
| Door Type | /11 |
| Flex Type | /14 |
| T Type | /18 |
| Barrier Table | /22 |
| Edge Ramp: Left and Right | /25 |

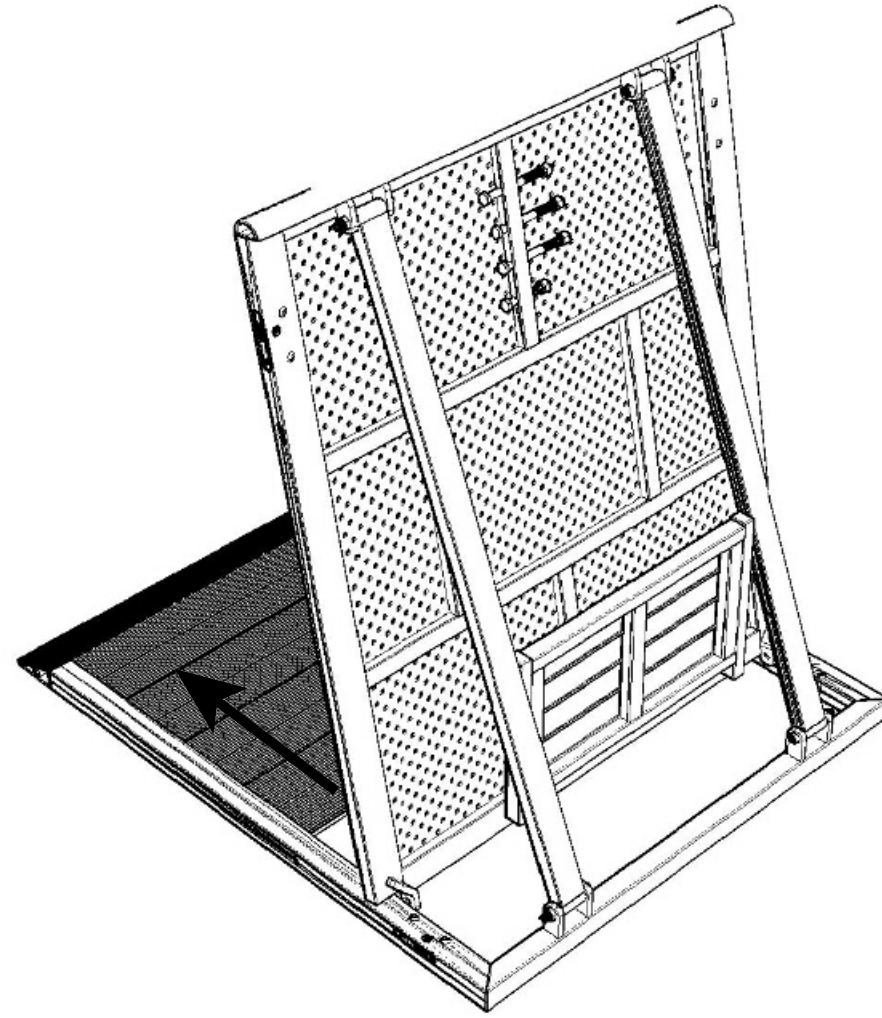
General Type



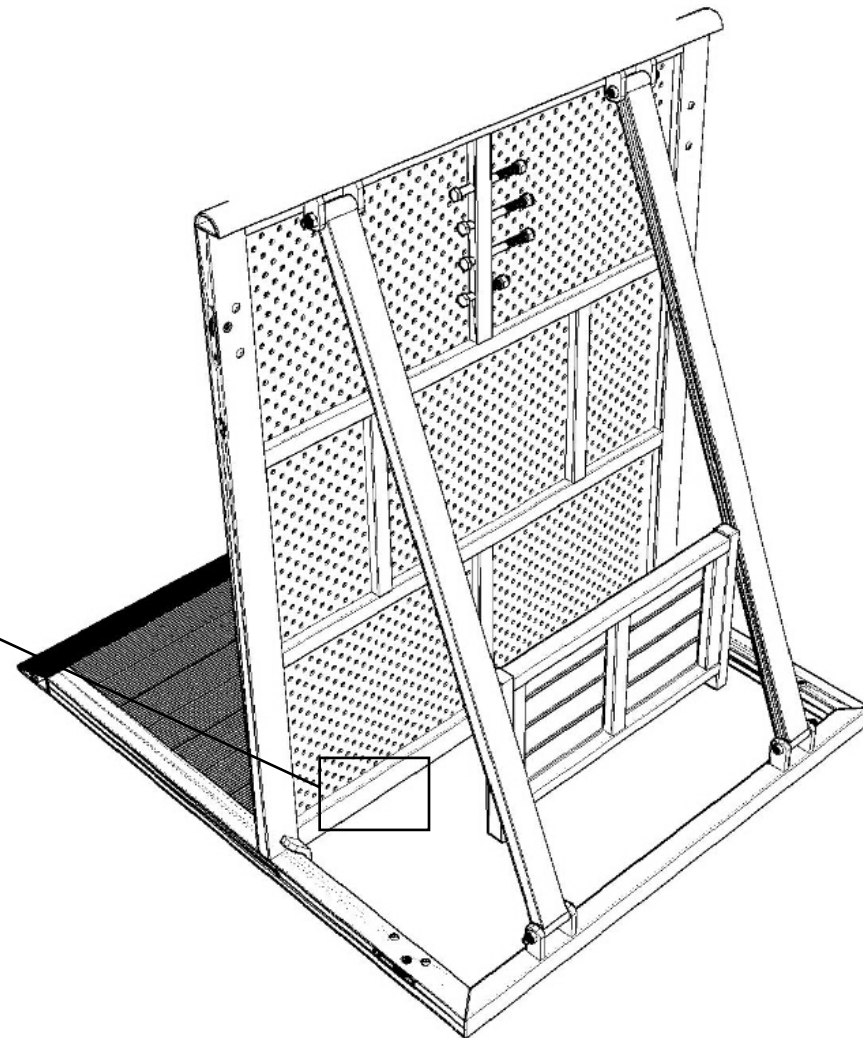
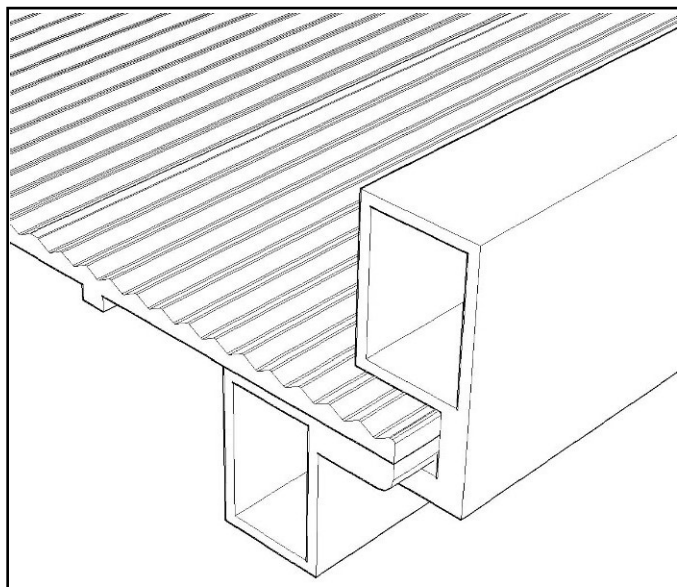
1. Put it flat on the ground



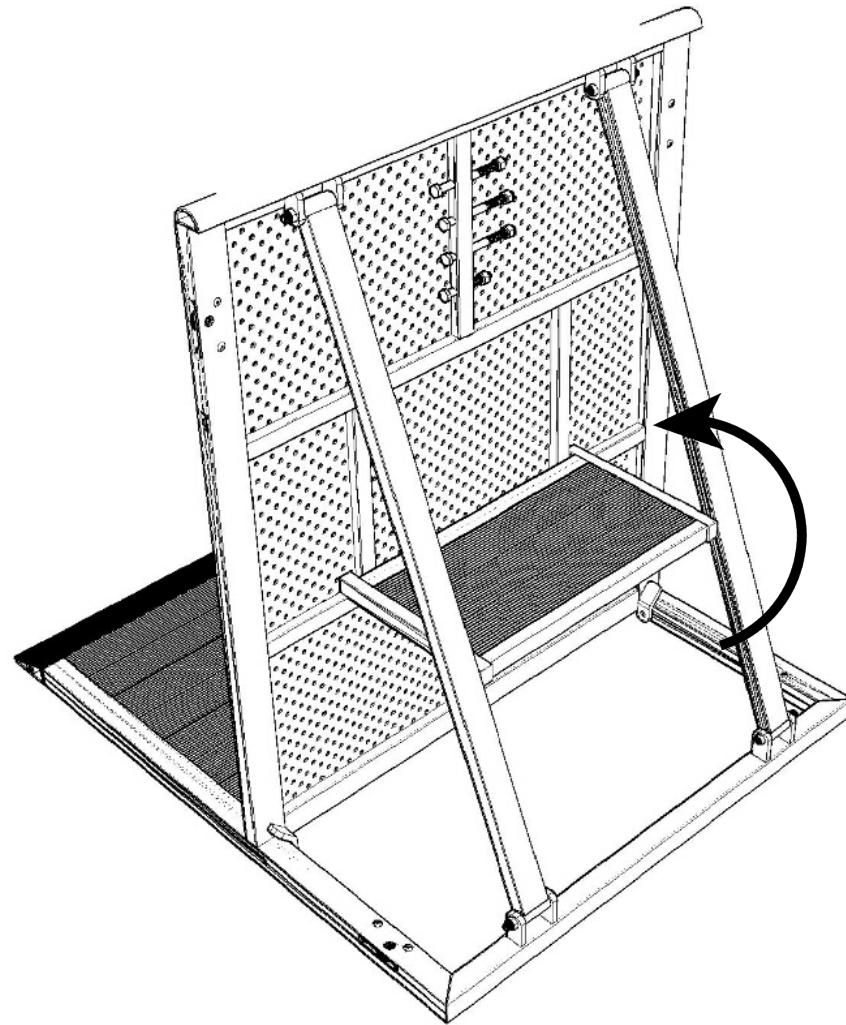
2. Put up the vertical plate as drawing



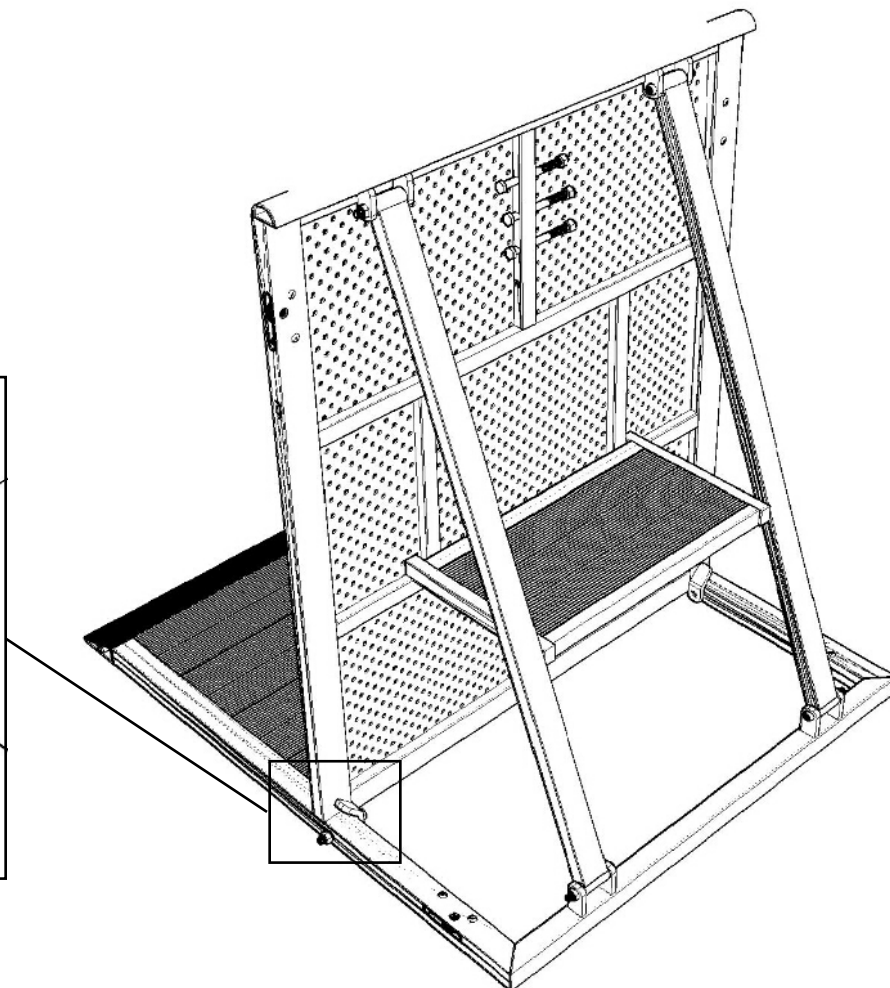
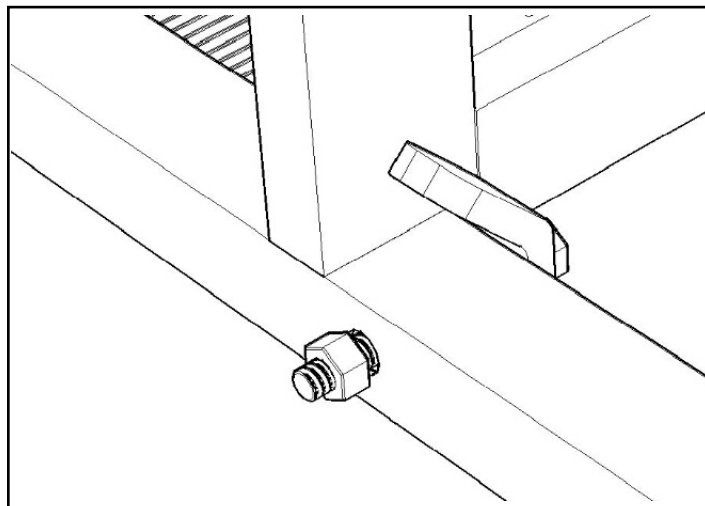
3. Pull forward the vertical plate after it was put up to some degree.



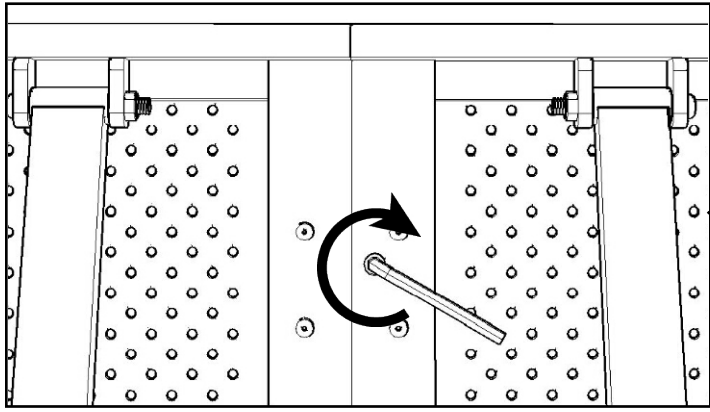
4. Make it vertical to the base plate, while the two sections of vertical plate and base plate is hooked each other, as drawing.



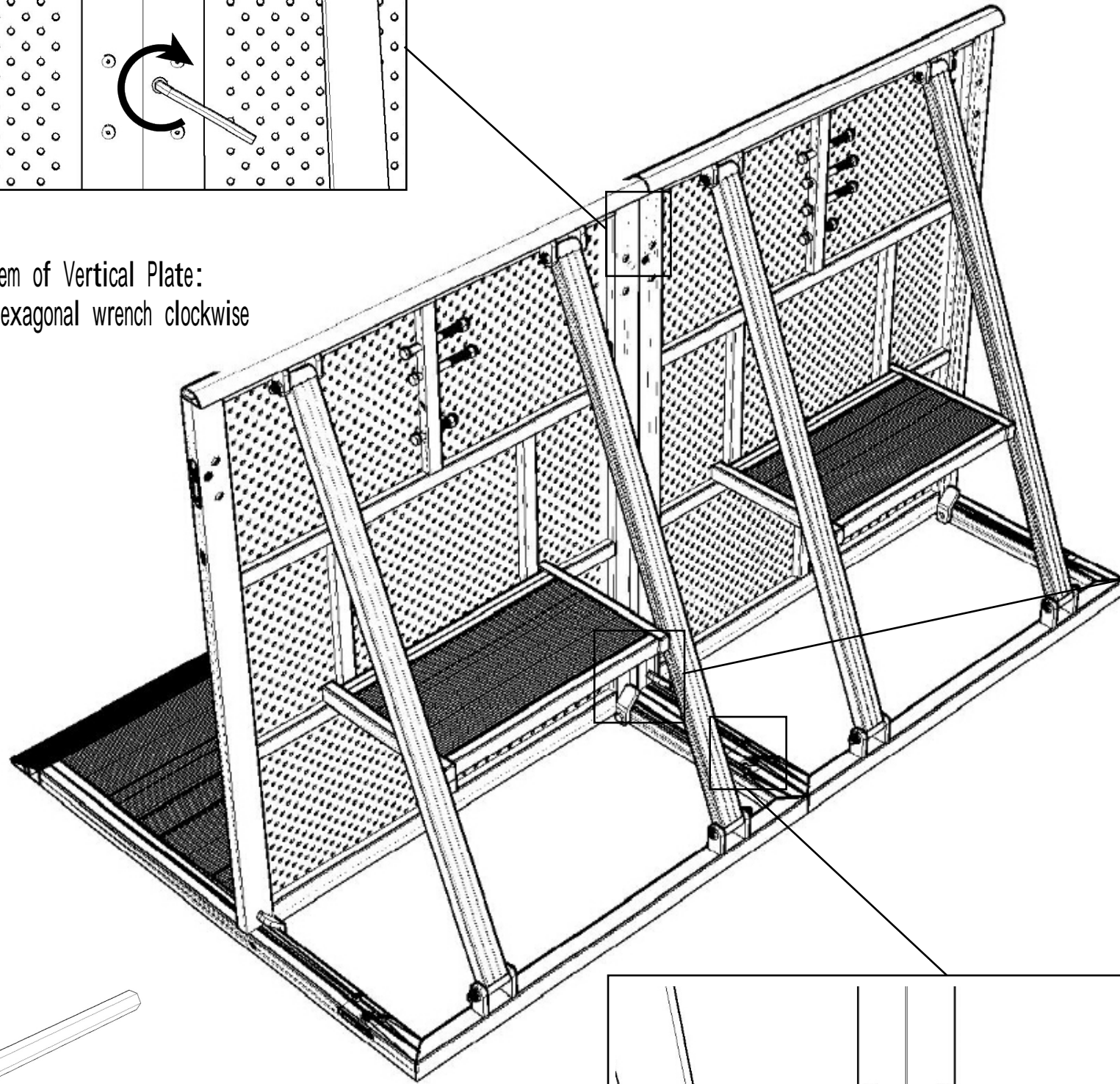
5. Turn up the step plate to the frame of vertical plate, while it is paralleled to the ground.



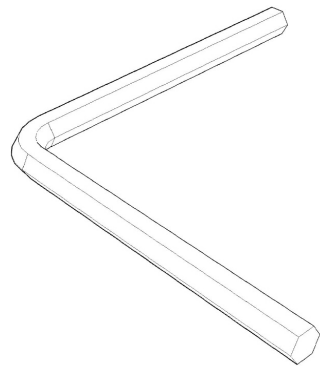
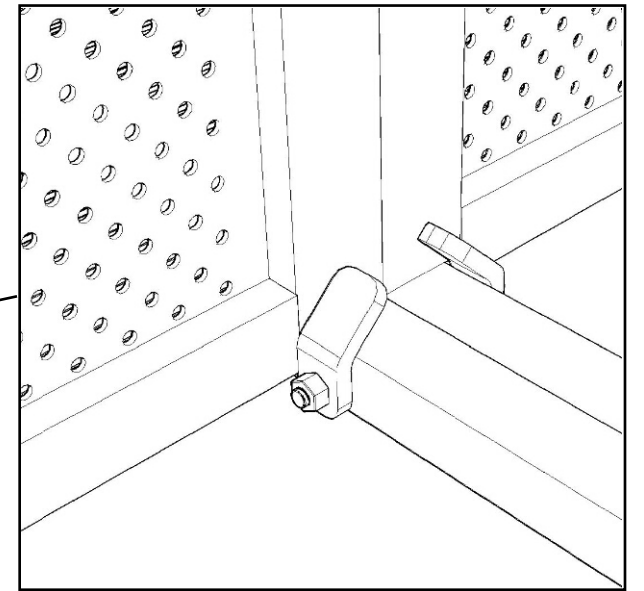
6. Use the short bolt to connect the vertical plate and base plate if only one barrier is used, as drawing.



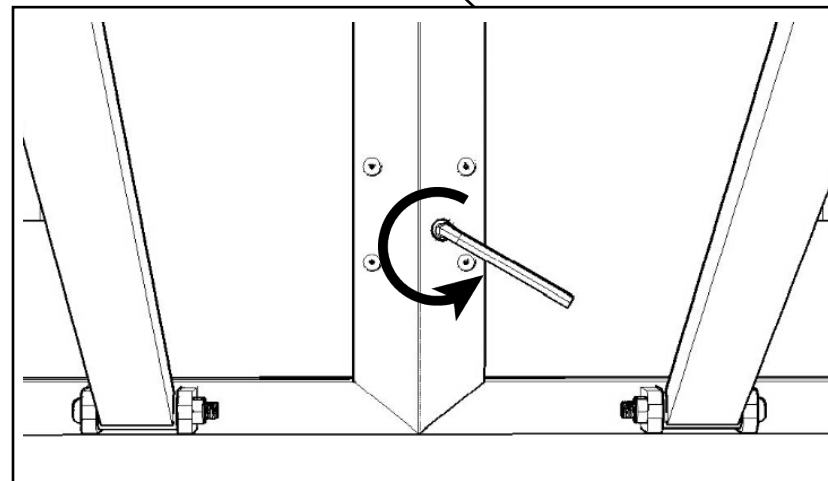
Lock System of Vertical Plate:
turn the hexagonal wrench clockwise



7. When two units are used, first, lock both vertical plate and base plate, as drawing. Then use the long bolt to connect two barriers at the bottom.

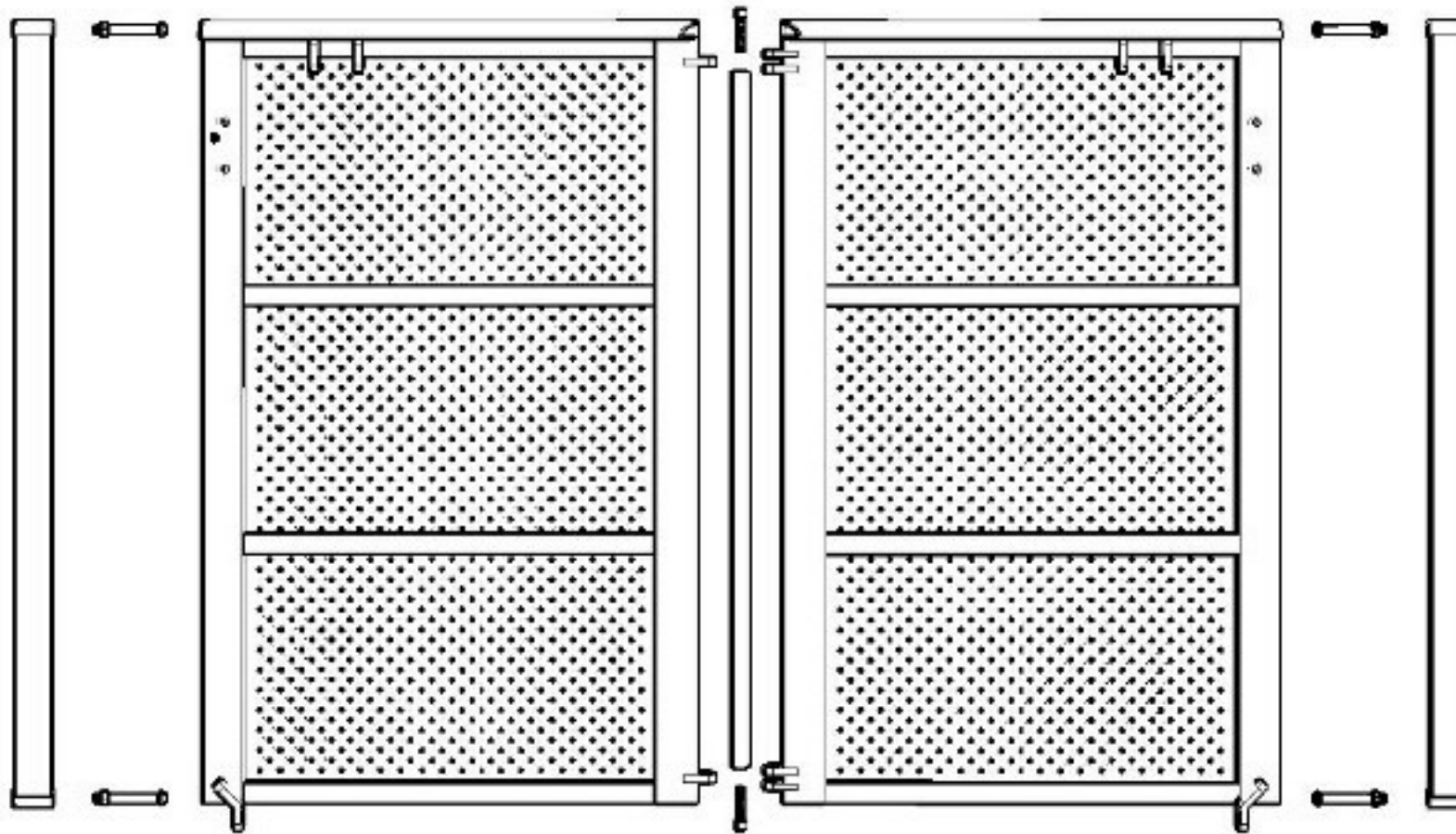
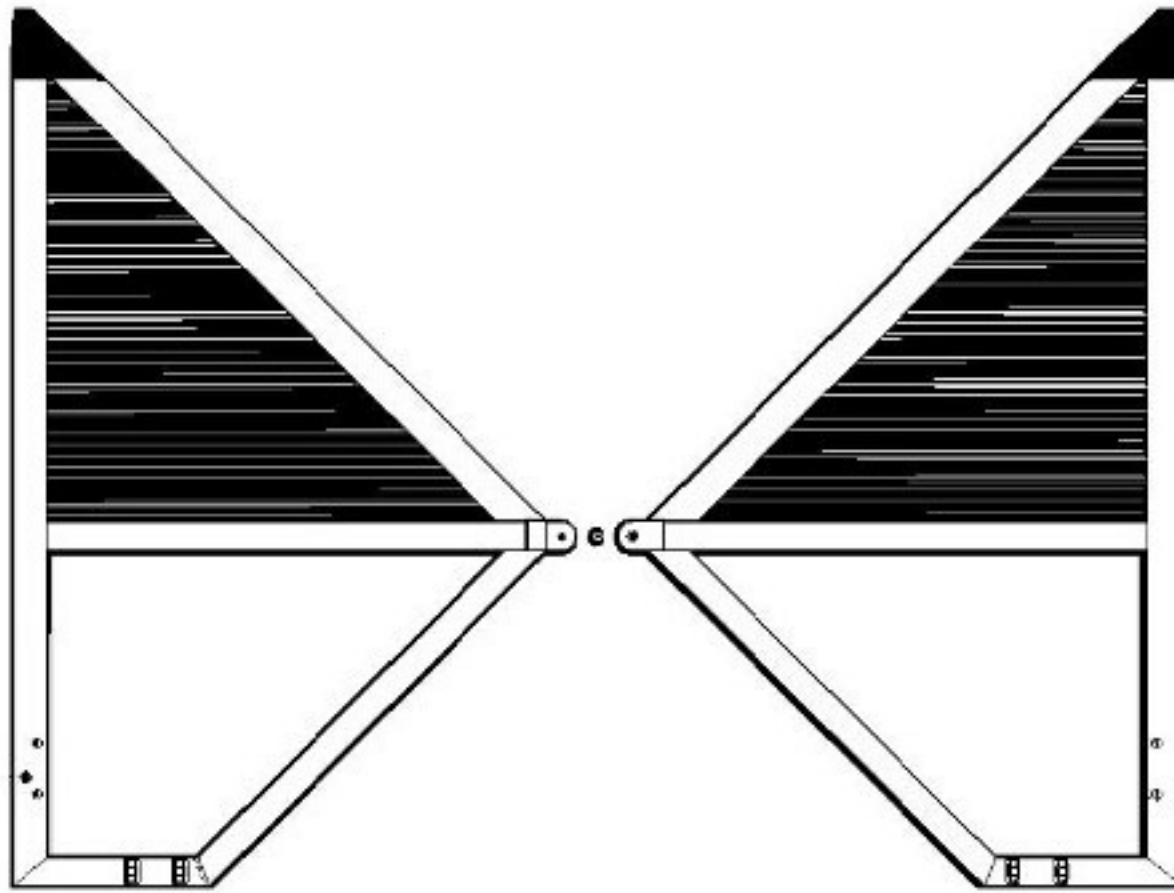


Tool: Hexagonal Wrench

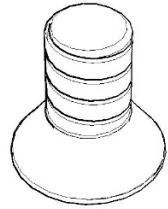
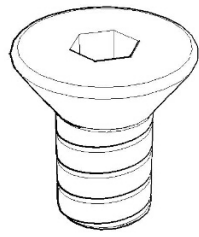


Lock System of Base Plate:
turn the hexagonal wrench counterclockwise

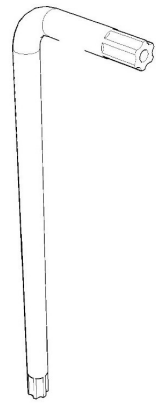
Corner Type



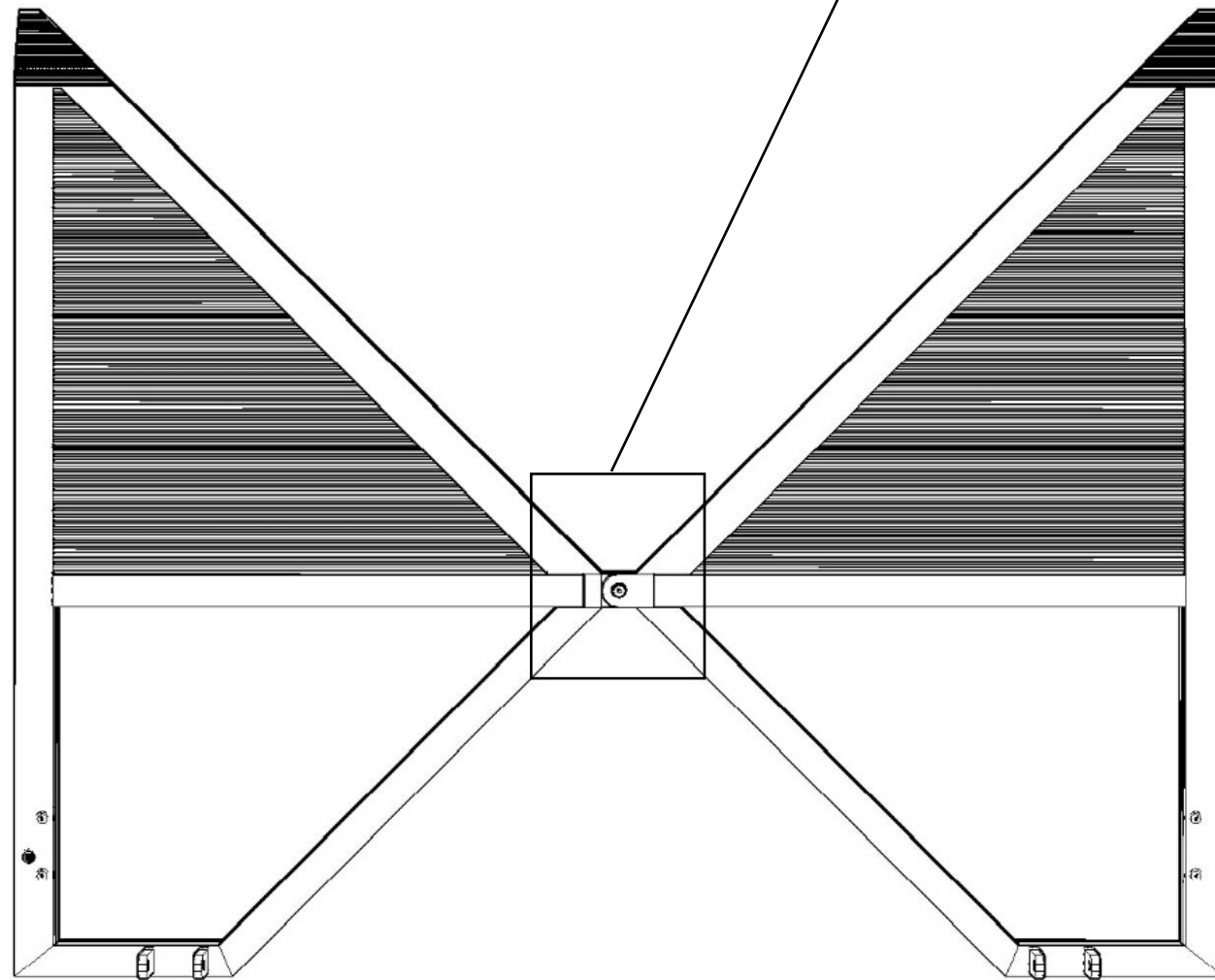
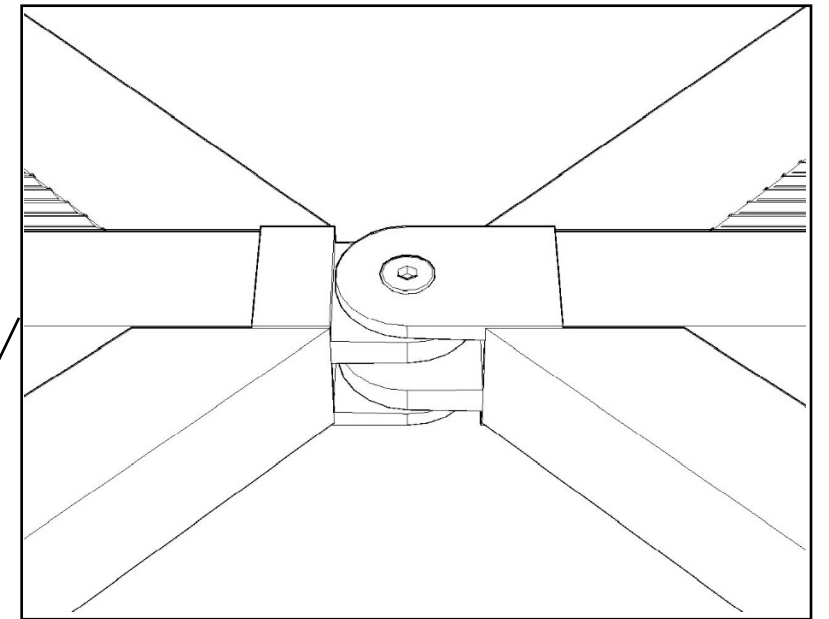
1. Components(as drawing)
- 2 base plates
- 2 vertical plate
- 2 braces
- 1 round axis
- 4 bolts M10x95
- 4 bolt nuts M10
- 2 bolts M10x50
- 2 bolt nuts M6x15



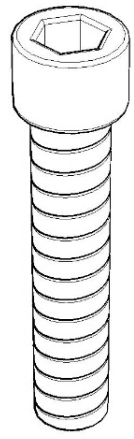
2 bolts M6x15



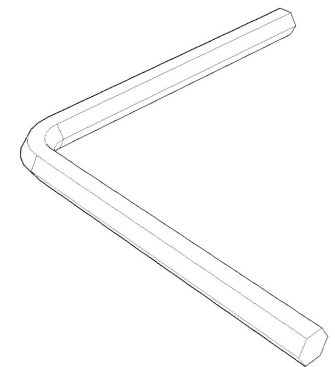
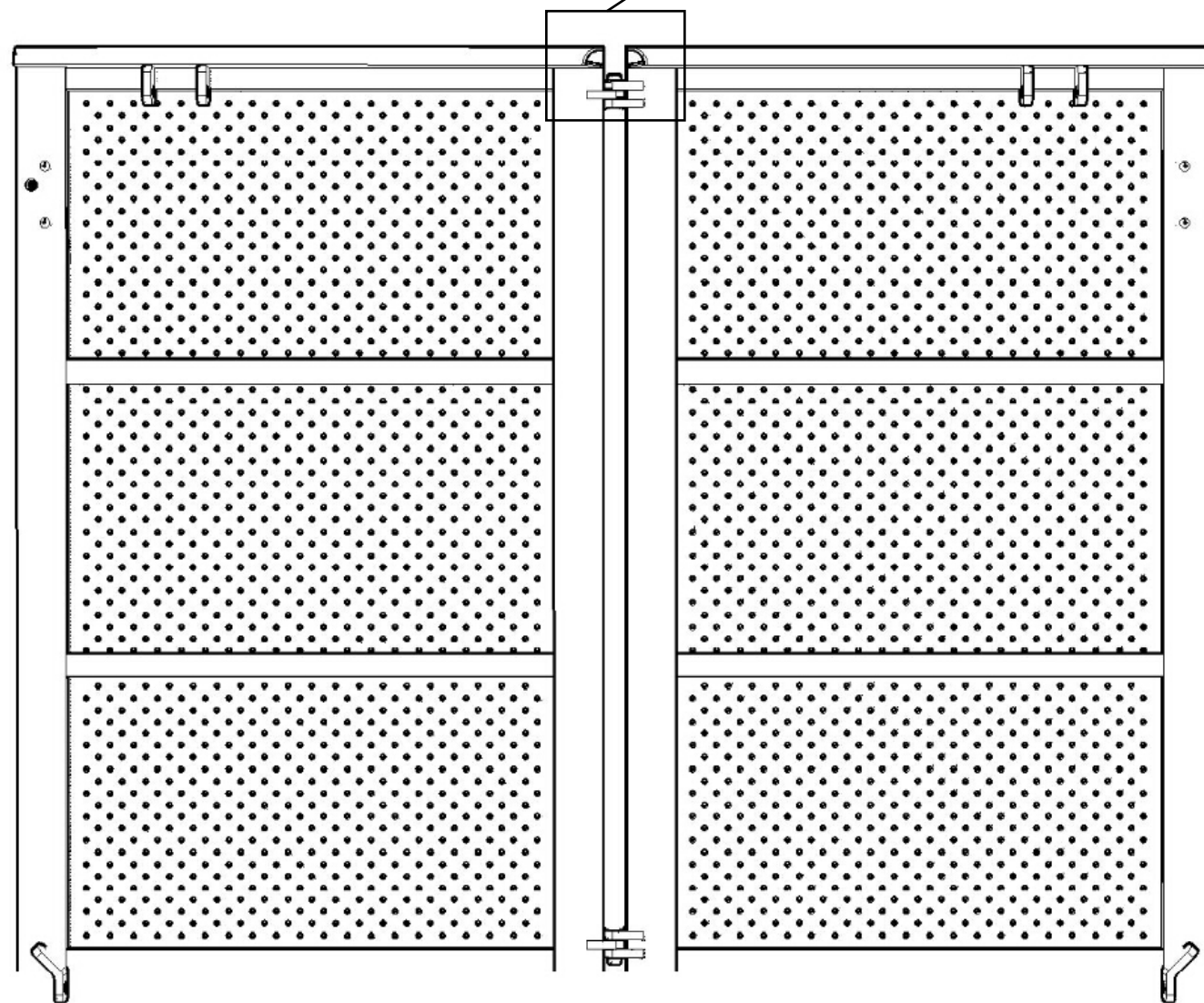
Tool: tiny socket
wrench



2. Use tiny socket wrench to screw on the bolt M6x15 to connect the two base plates, as drawing.

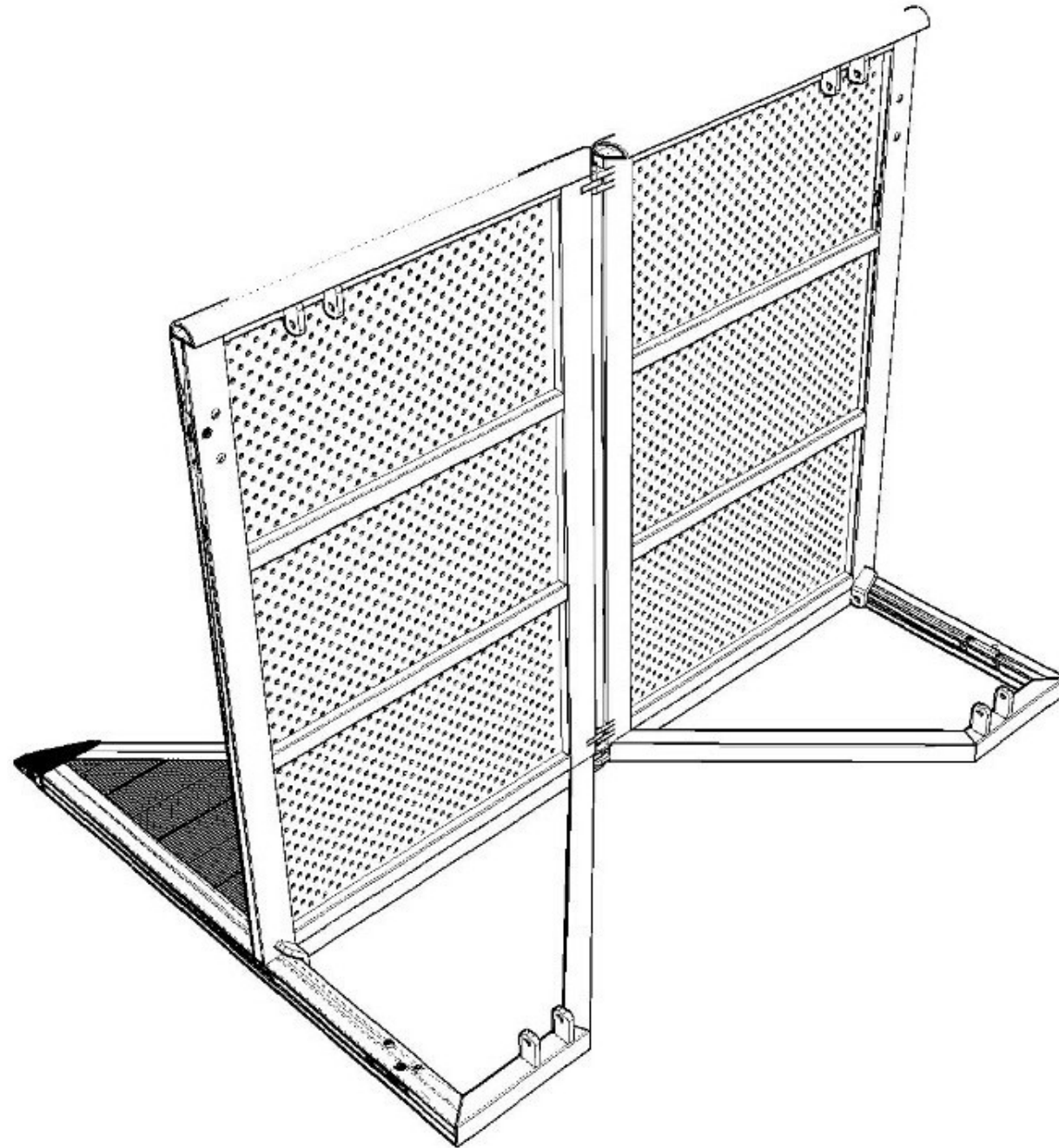


2 bolts M10x50

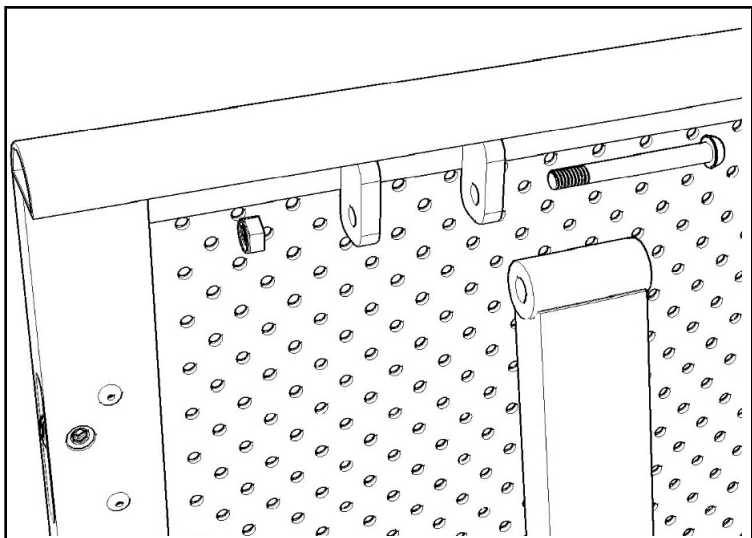


Tool: hexagonal wrench

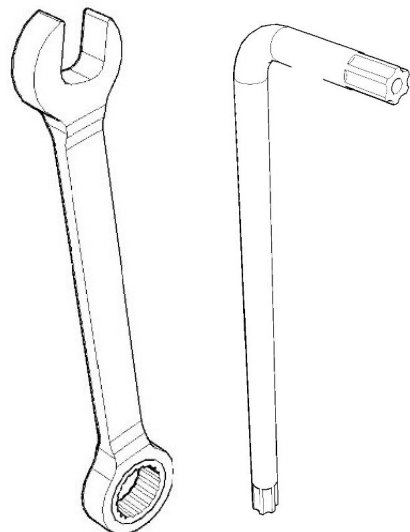
3. Put the round axis between the two vertical plates, and use hexagonal wrench to screw on the bolt M10x50, as drawing.



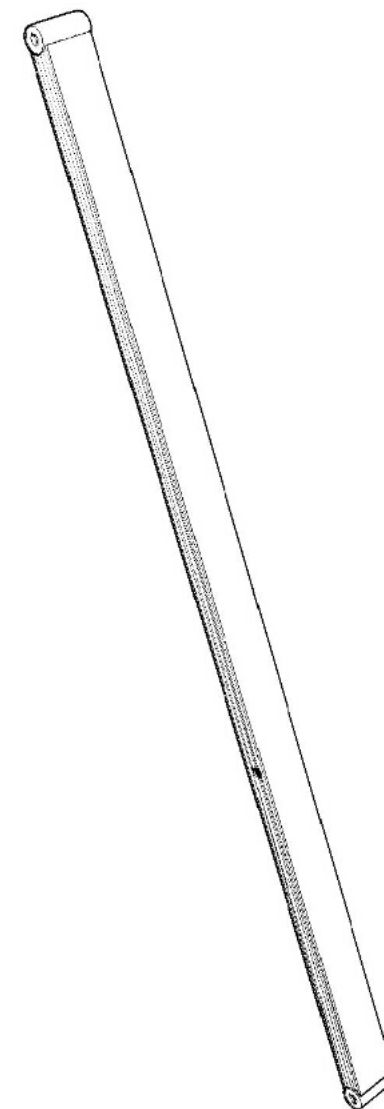
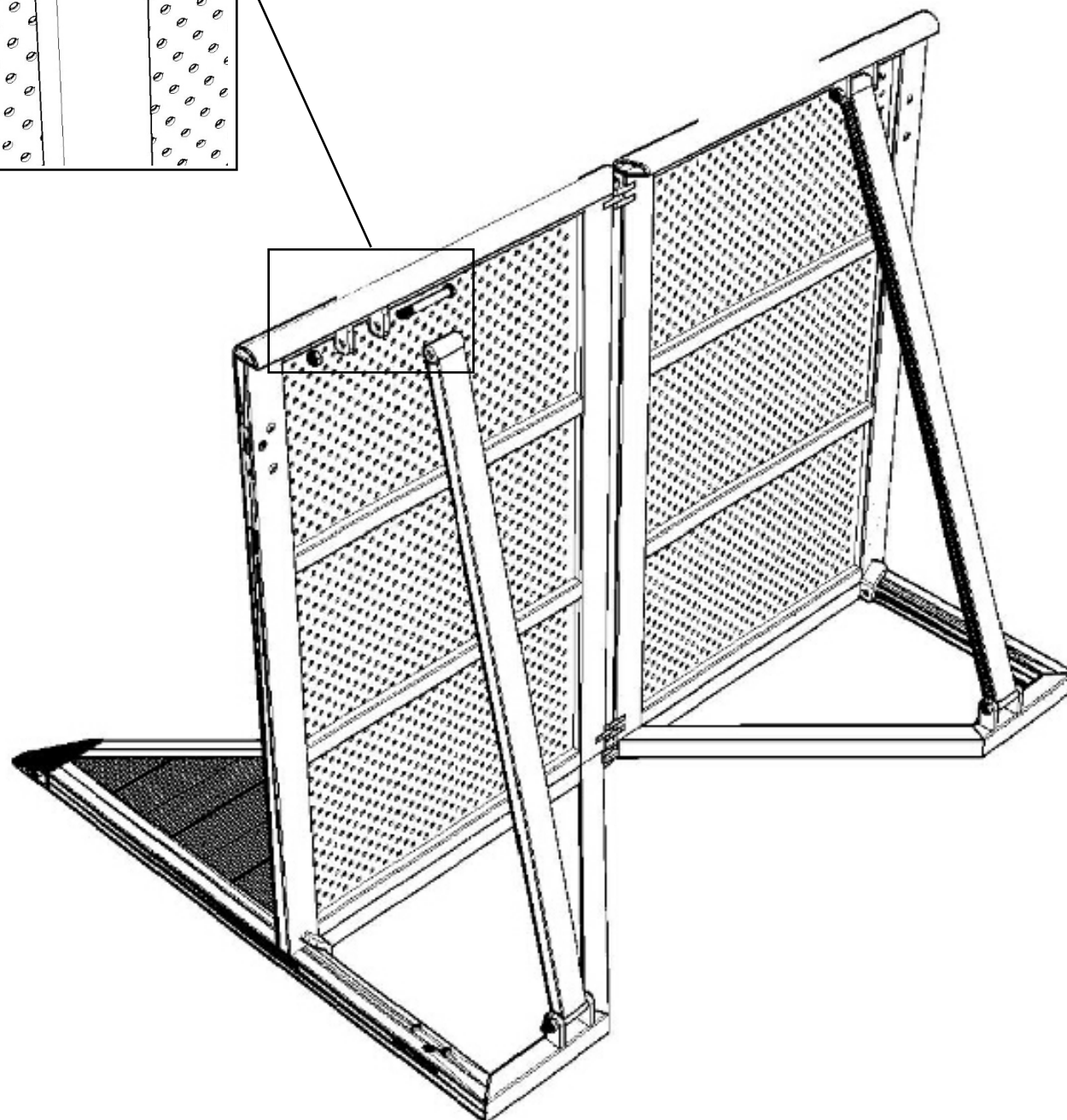
4. Make the installed vertical plate upright to the installed base plate, as drawing



4 bolts M10x95
4 bolt nuts M10

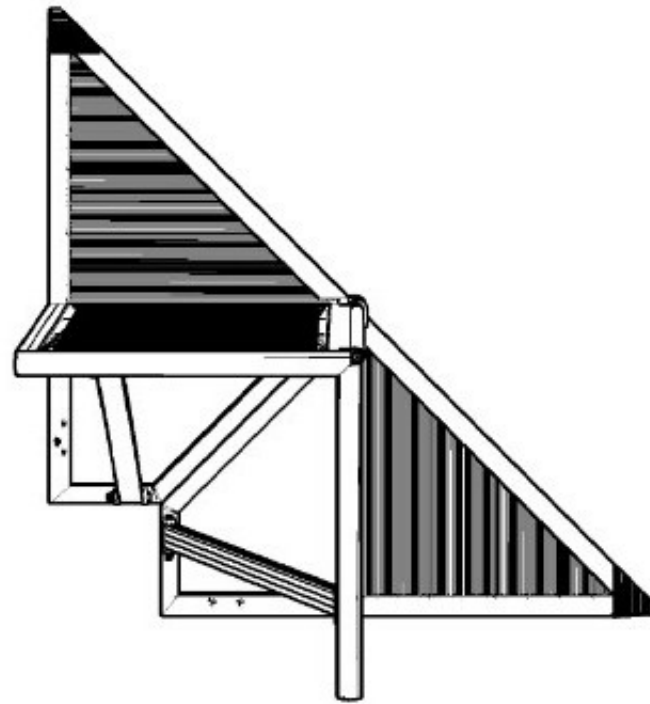
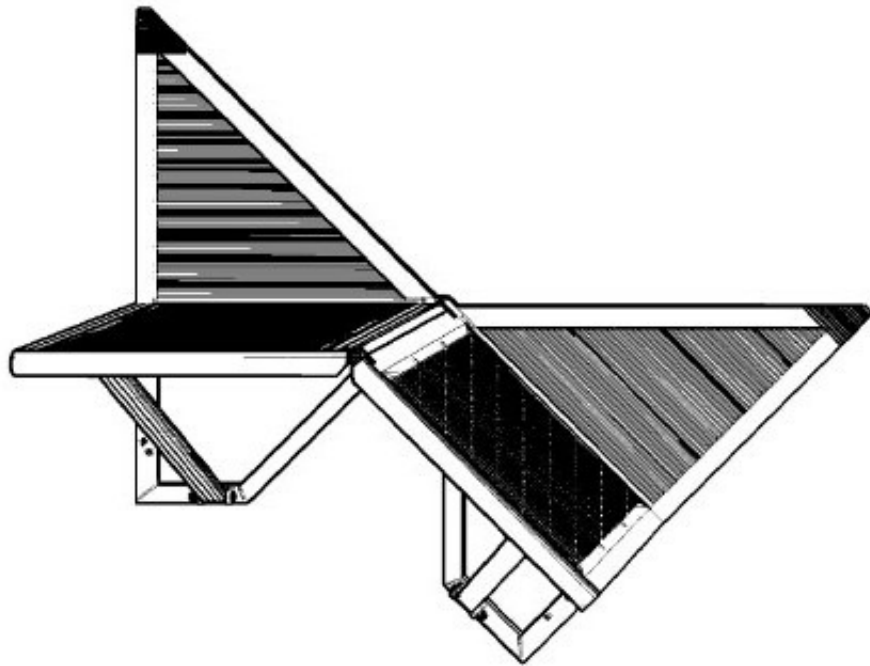
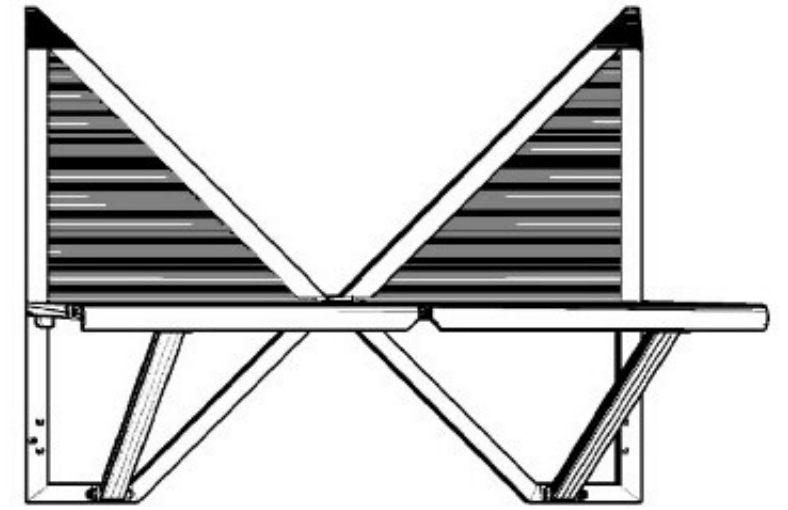
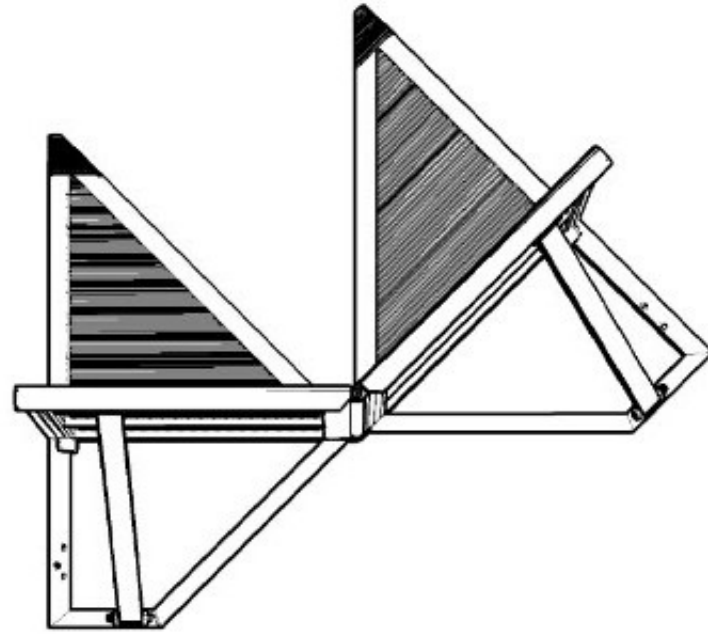
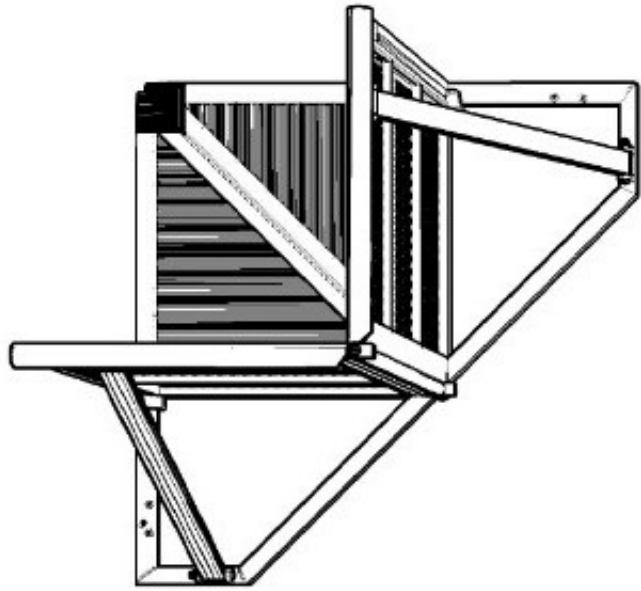


Tool: speed wrench
big socket wrench



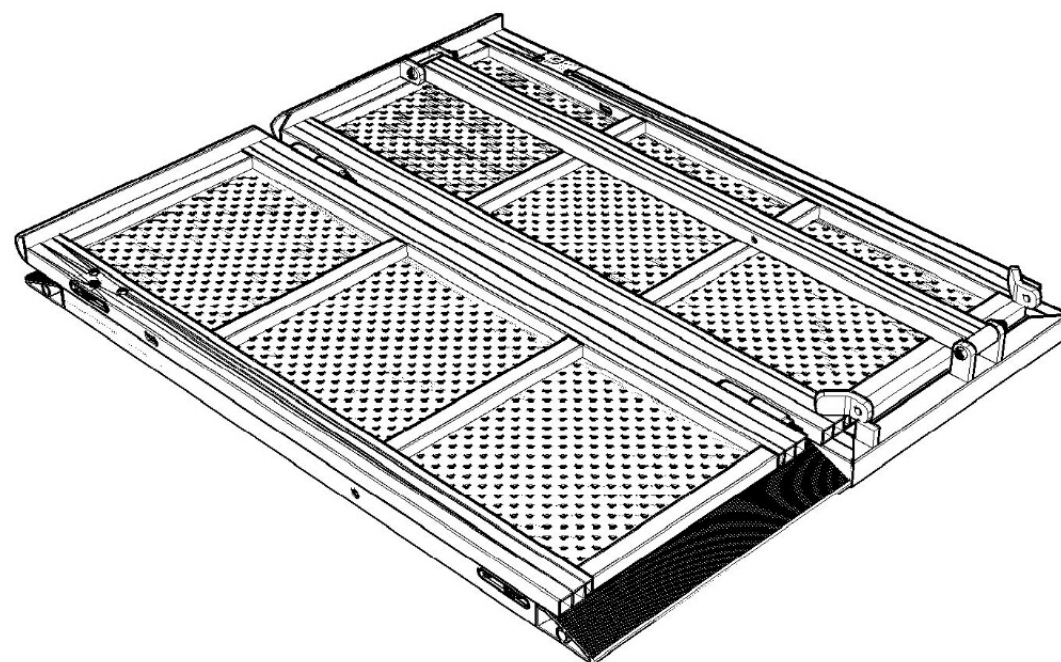
2 braces

5. Fix the brace with bolt M10x95 and nut M10 on the base plate and vertical plate

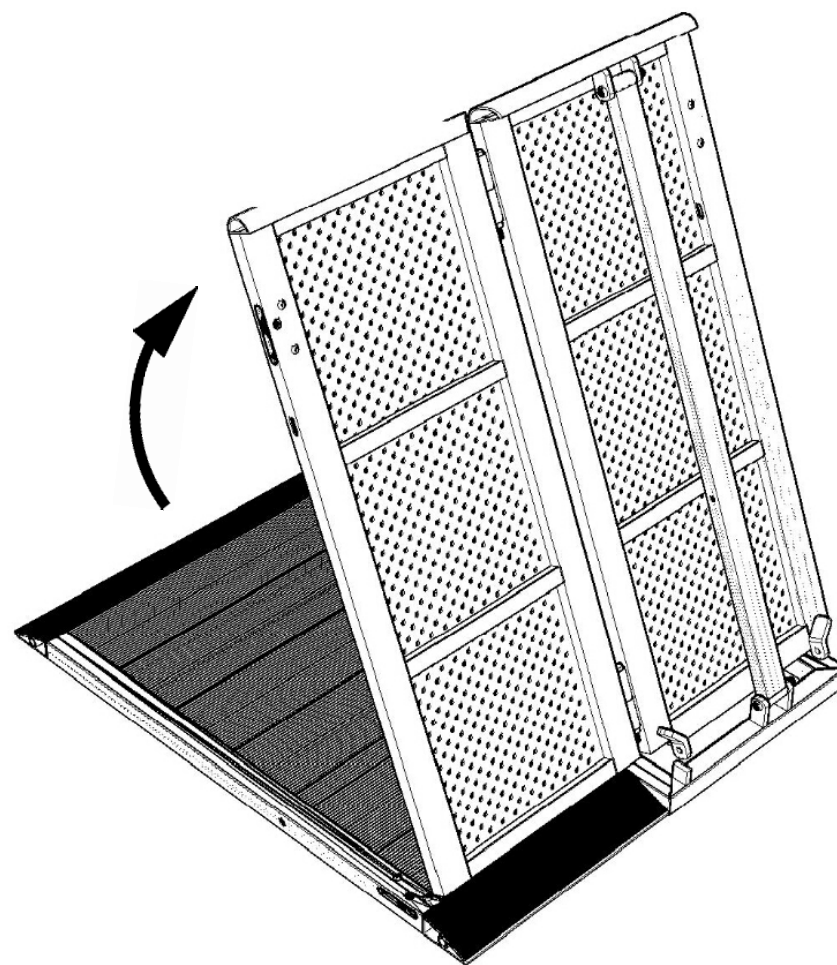


6. Adjust the angle from 90 degree to 270 degree as needed
(Please refer to General Type Manual for usage)

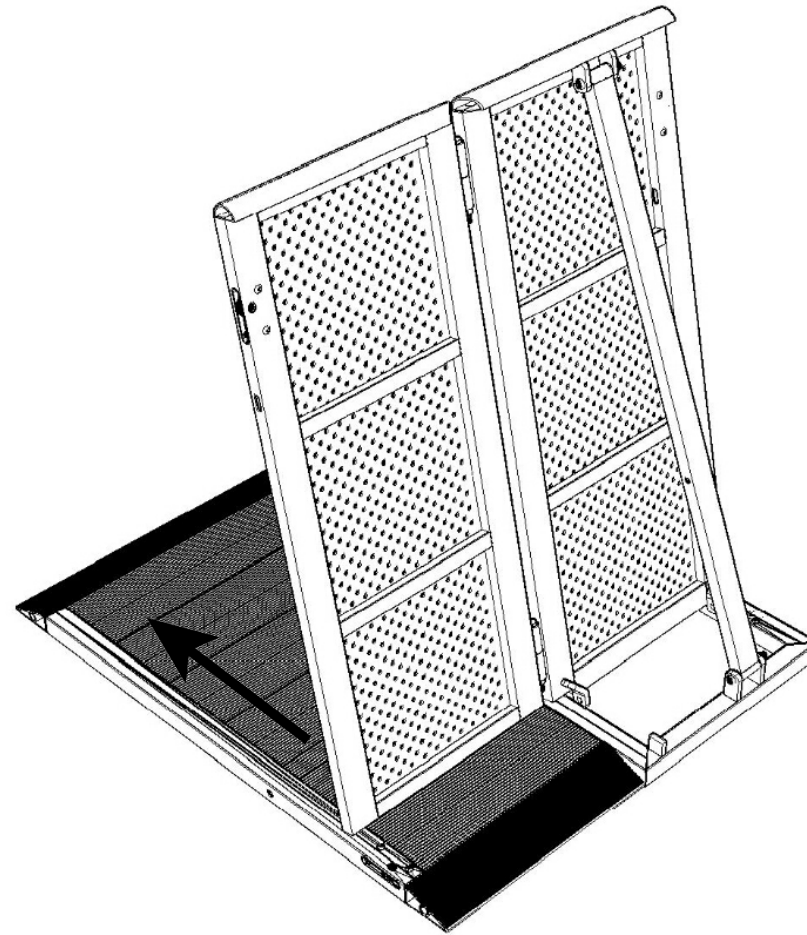
Door Type



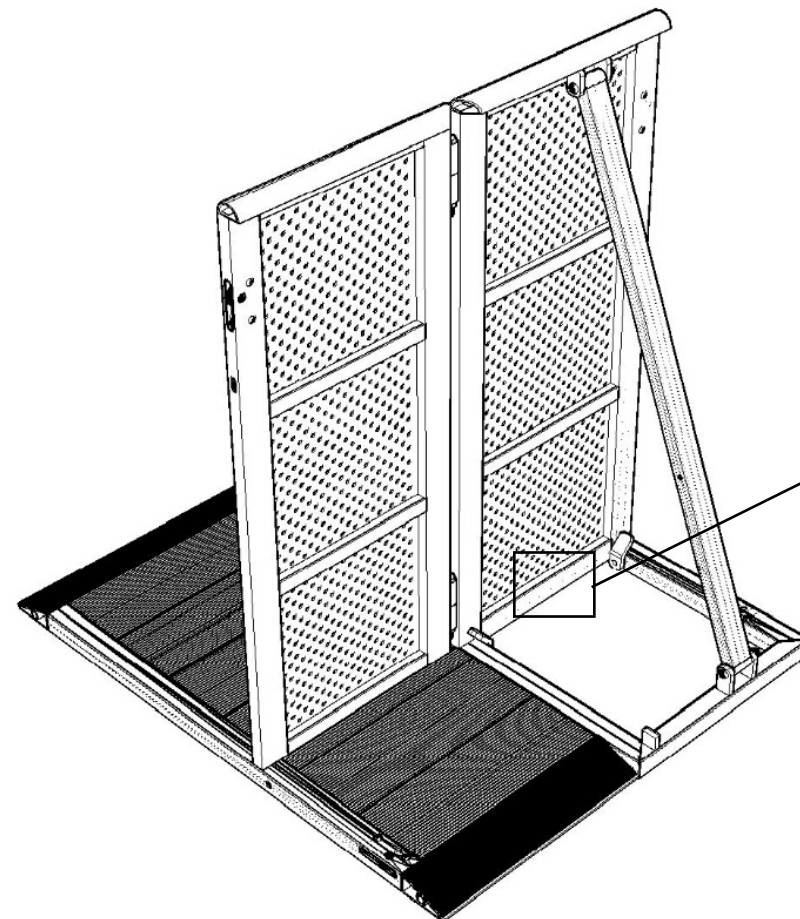
1. Put it flat on the ground



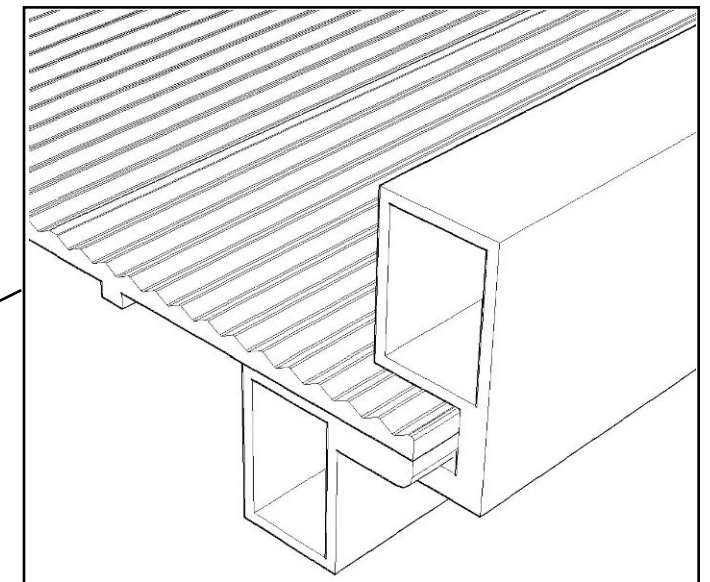
2. Put up the vertical plate as drawing

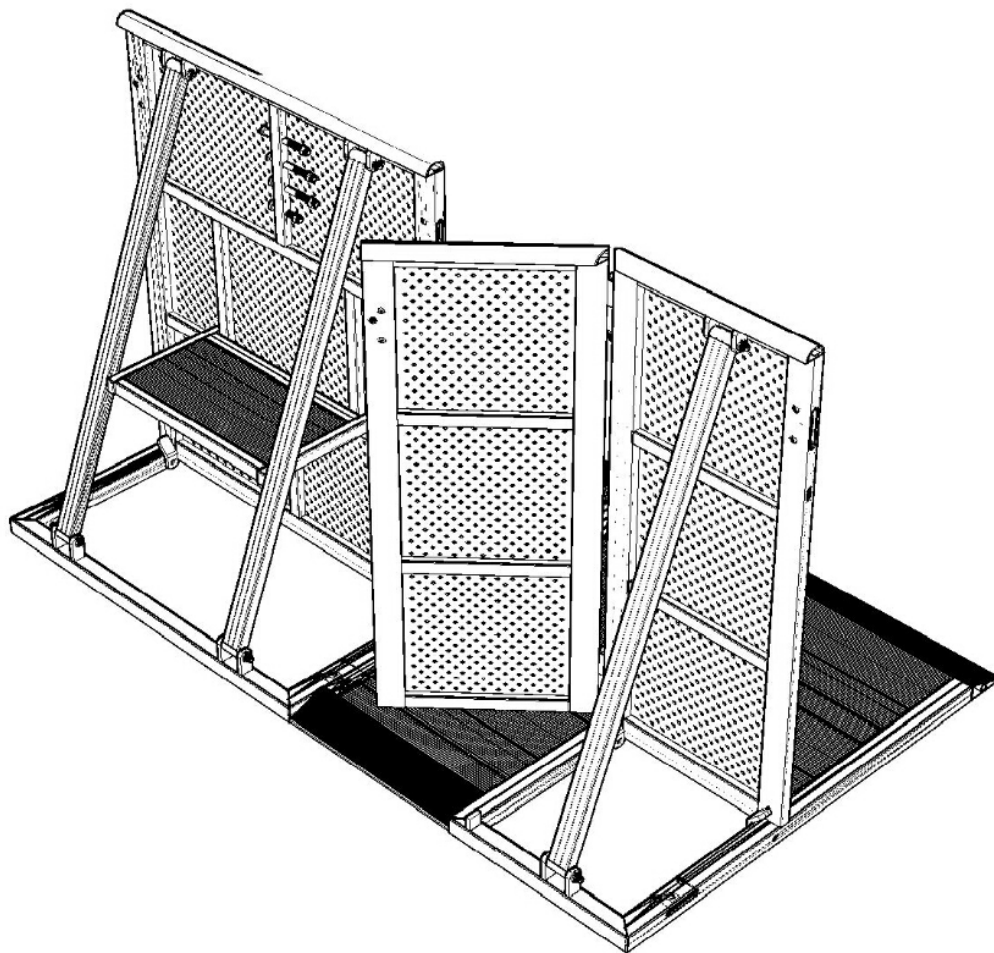


3. Pull forward the vertical plate after it was put up to some degree.

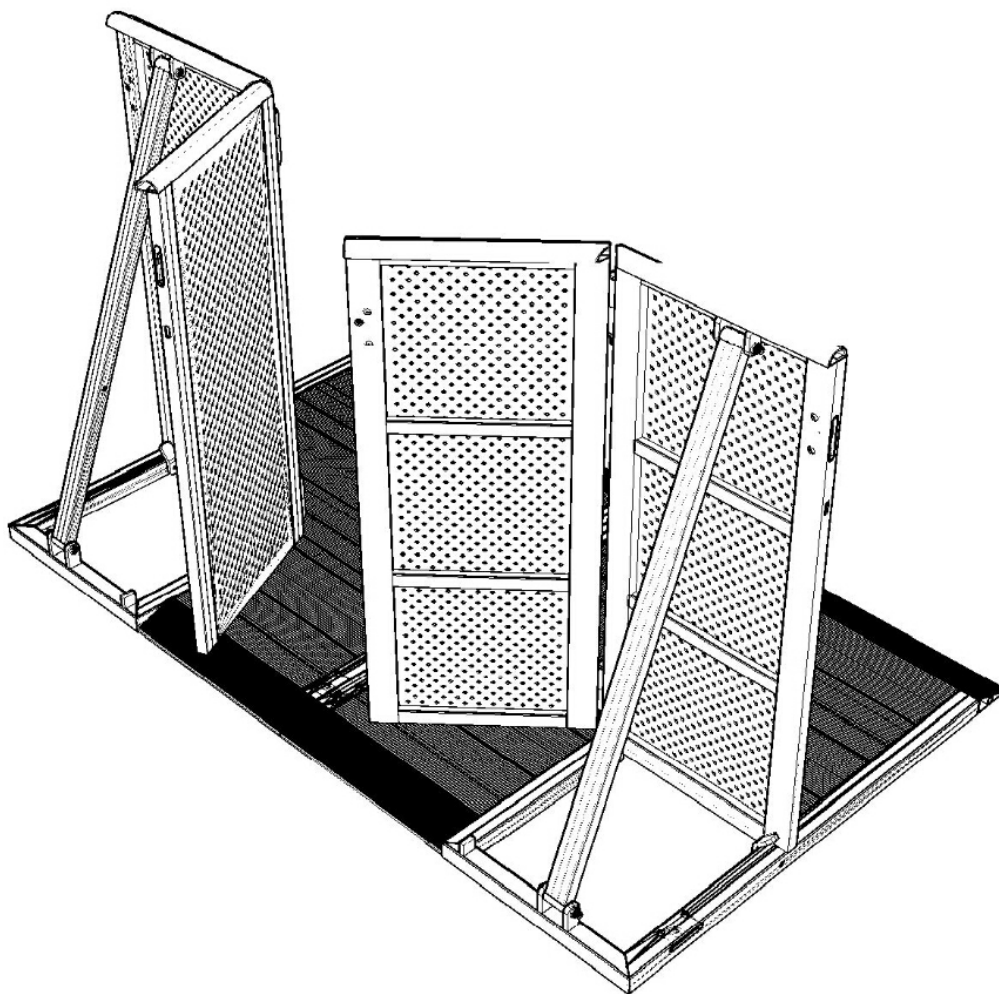


4. Make the it vertical to the base plate, while the two sections of the vertical plate with brace and base plate are hooked each other, as drawing.
(Please refer to General Type Manual for usage)



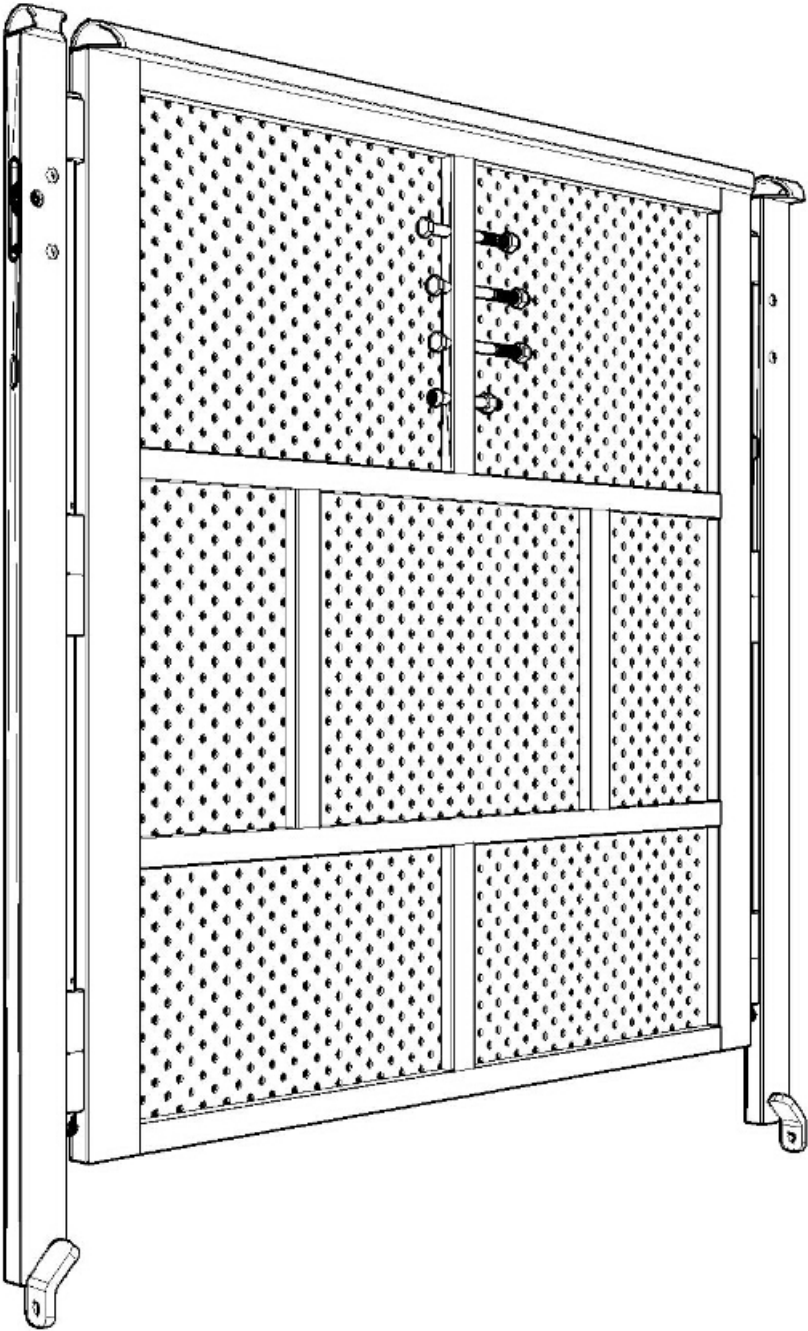


Usage 1:
when one door is used, door opening is 0.5m, suitable for only crowd entry

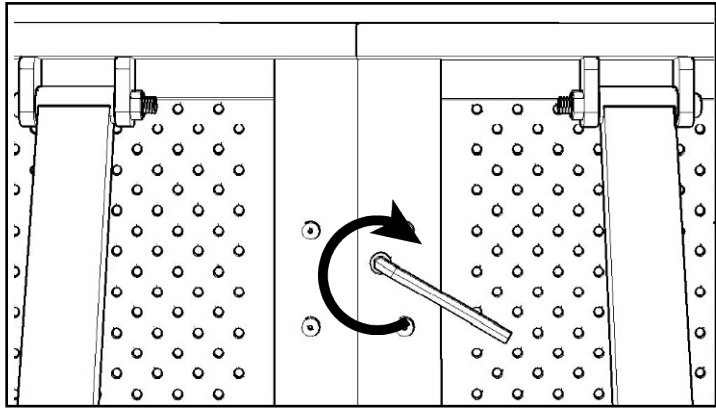


Usage 2:
When two doors (one left open and one right open) are used, door opening is 1m, suitable for both crowd entry and wheel chairs.

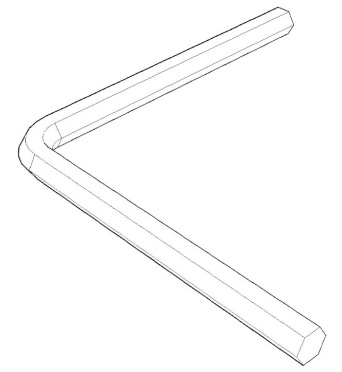
Flex Type



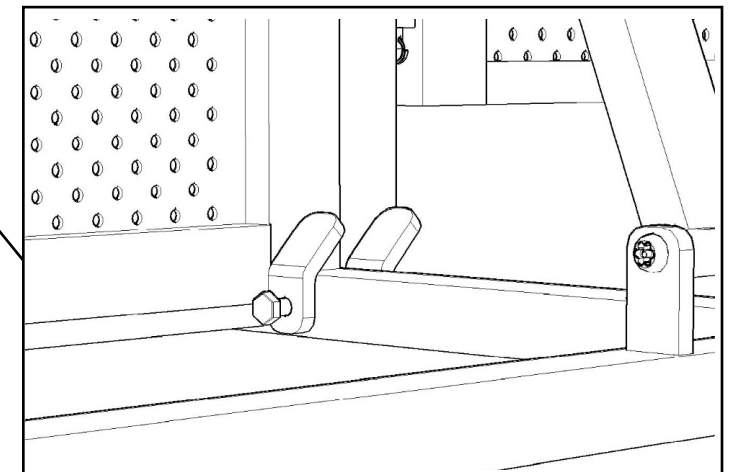
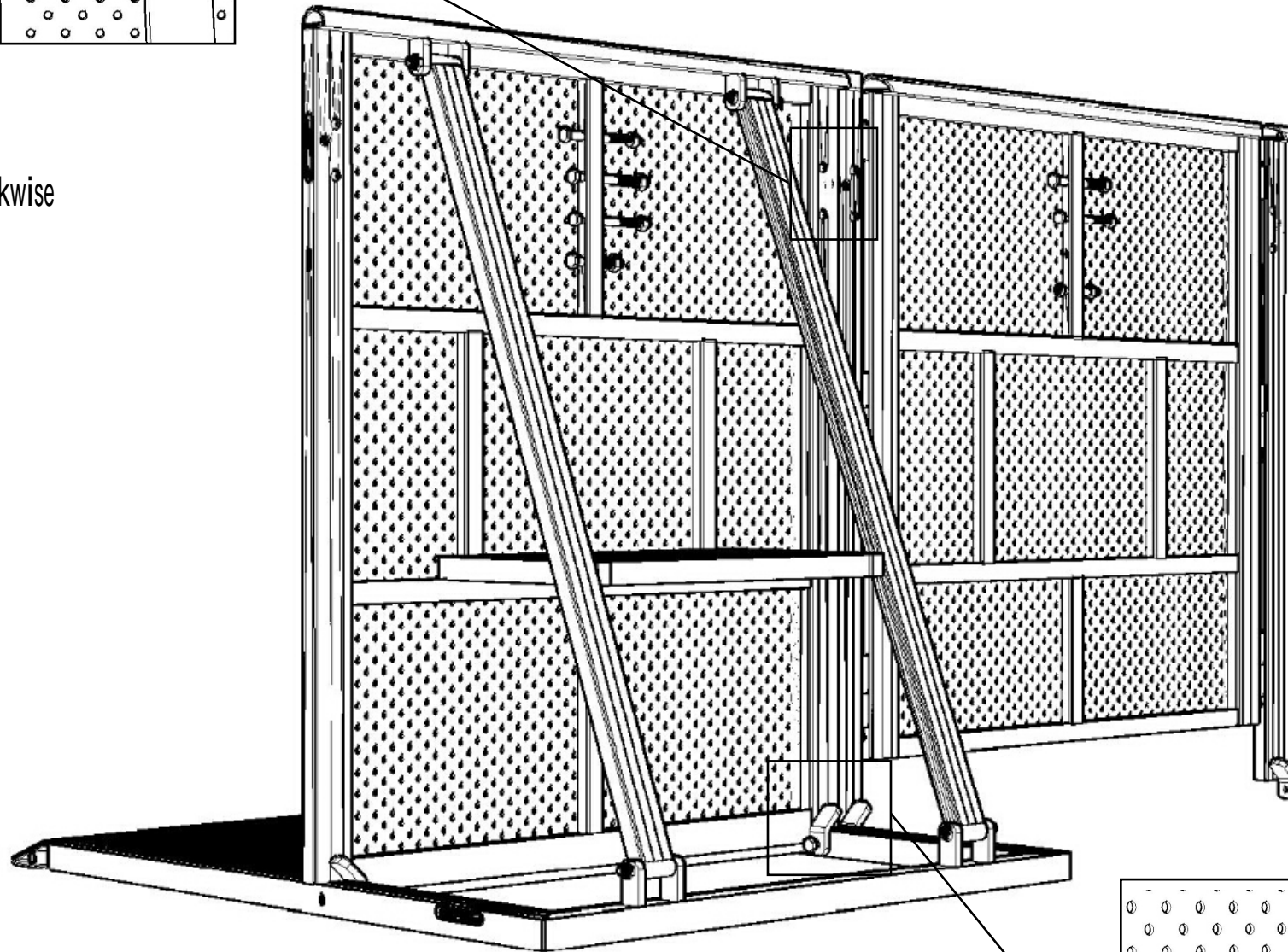
1. Rotate the two end profiles and make the vertical plate slide up and down



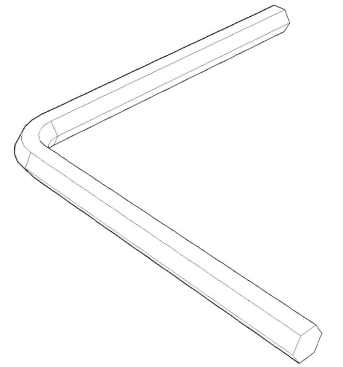
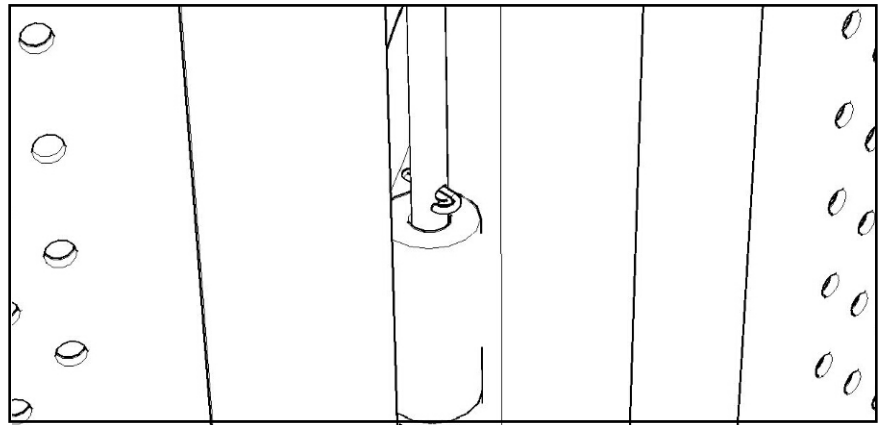
Lock System:
turn the hexagonal wrench clockwise



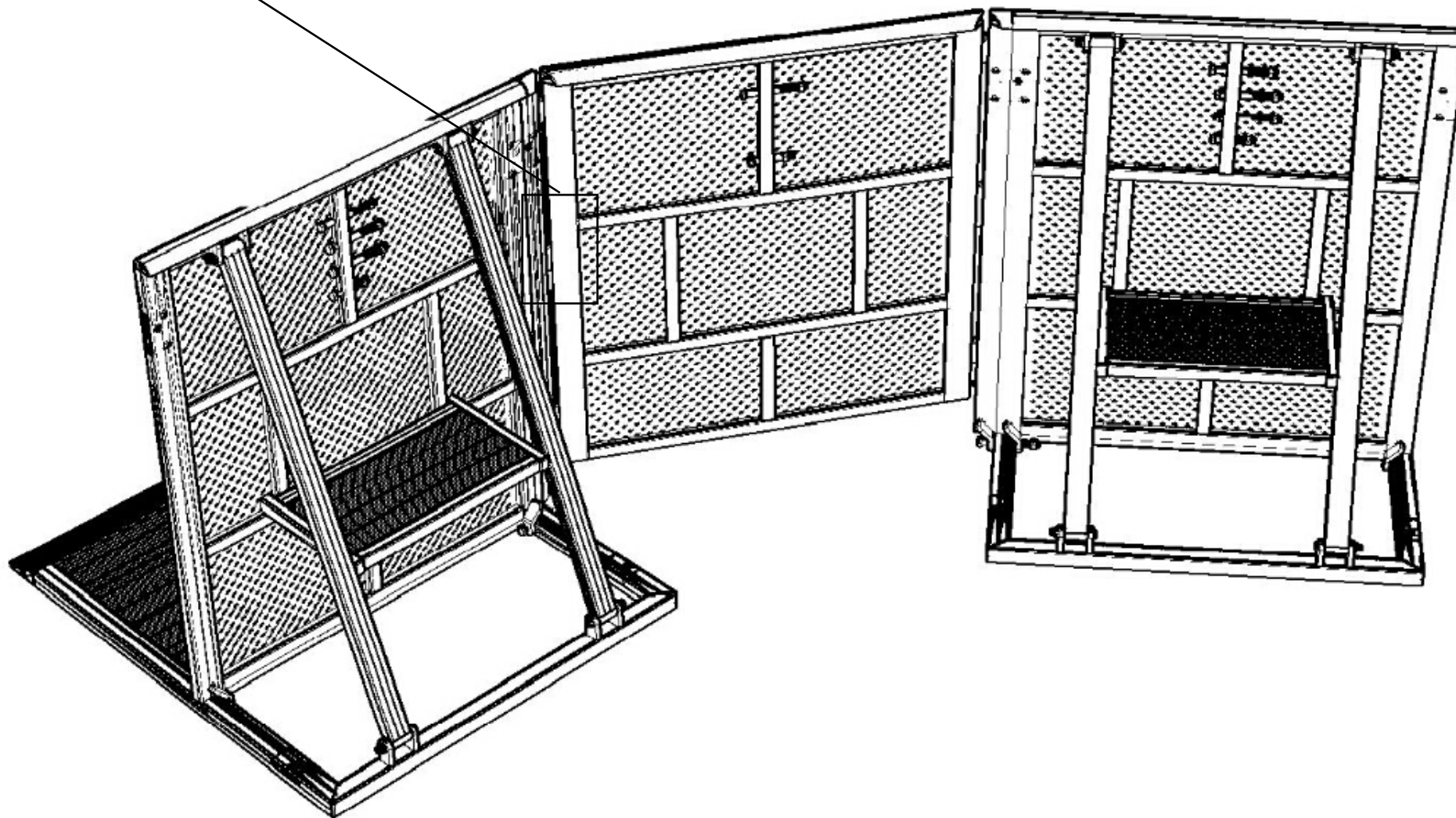
Tool:hexagonal wrench



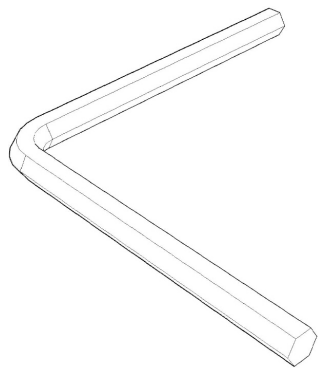
2. When used with other unit, lock the vertical plates and use the long bolt to connect to the base plate, as drawing



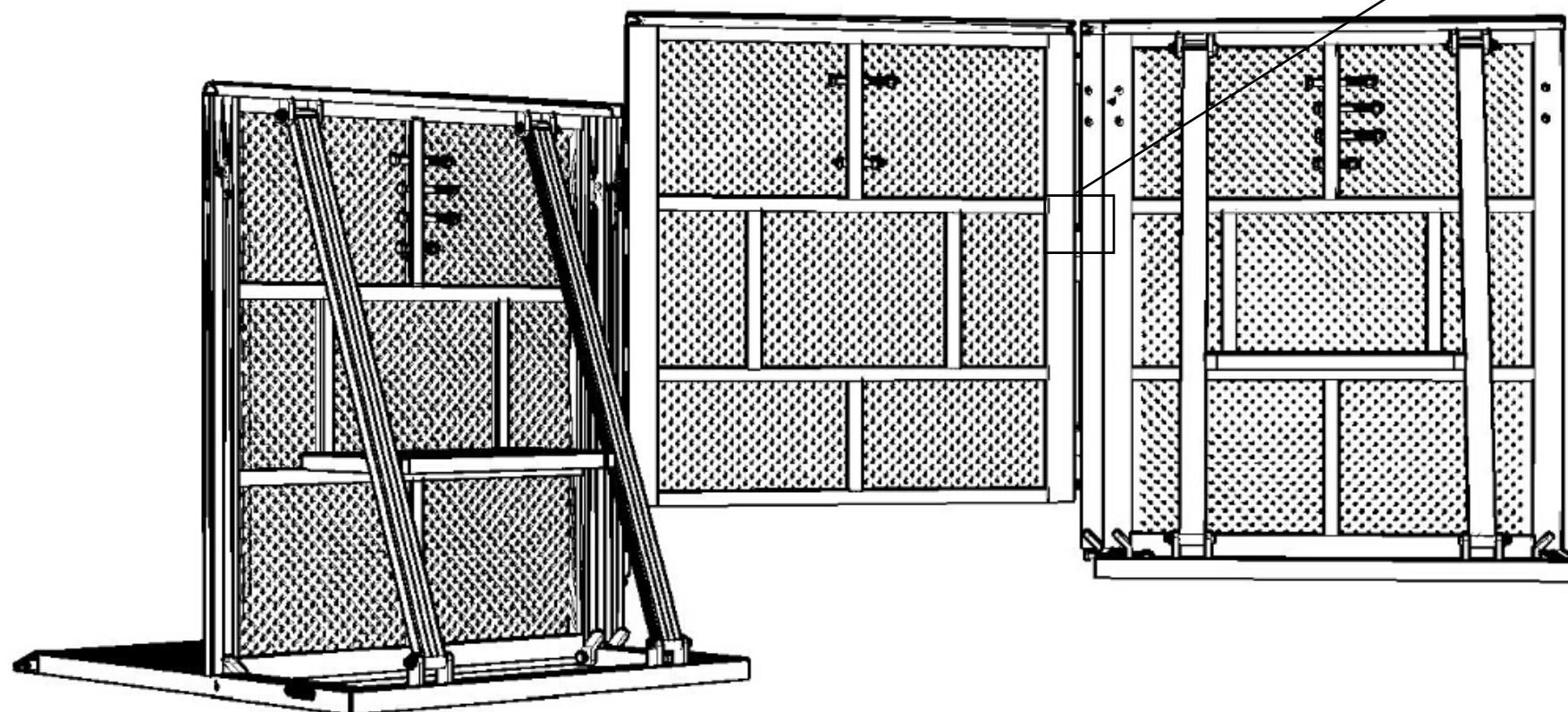
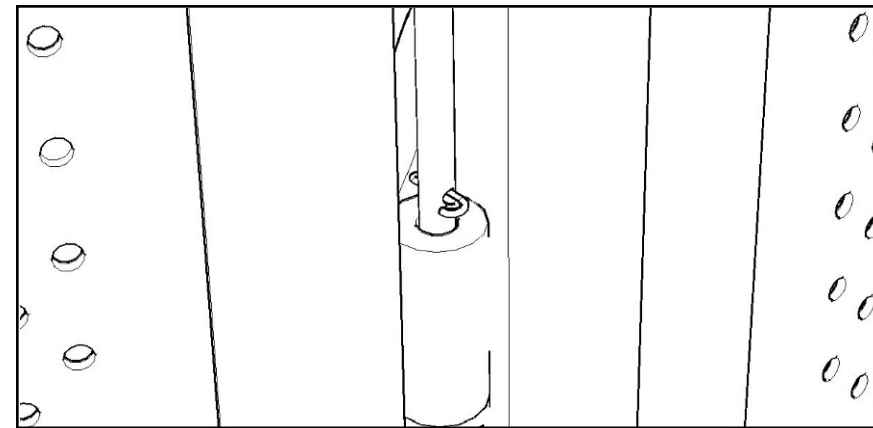
Tool: hexagonal
wrench



3. If only for cable entry or adjusting angle, turn the flex type to needed angle and put in the pins to prevent sliding, as drawing

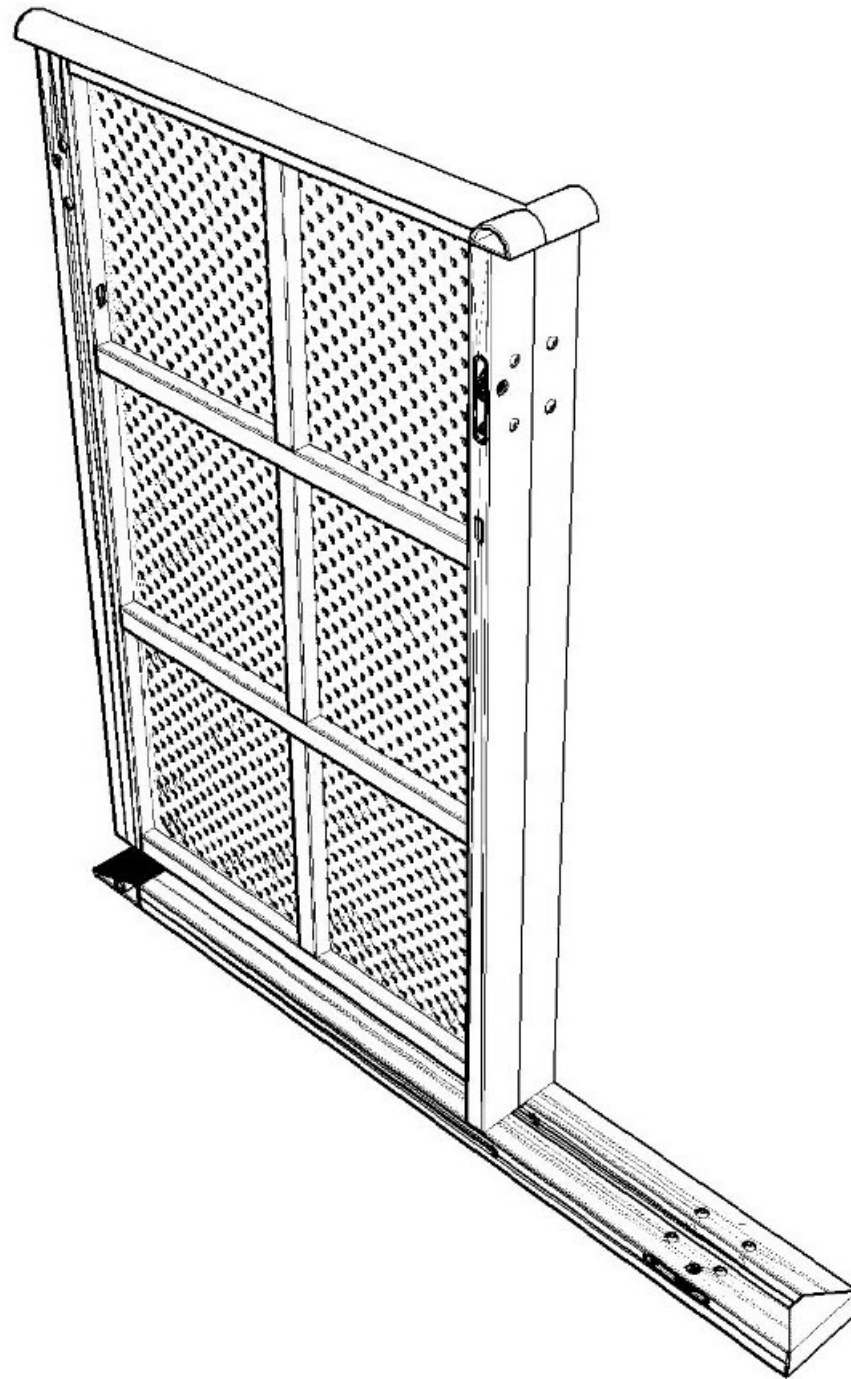


Tool:hexagonal wrench

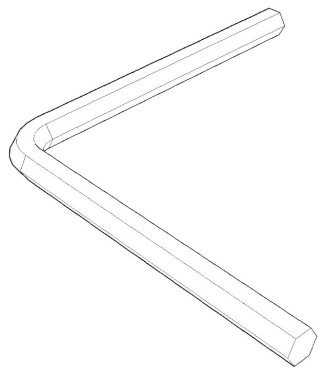


4. When you need to adjust the height on sites, make the flex type slide up or down on the one side as needed ,then put in the pins on the other side, as drawing.

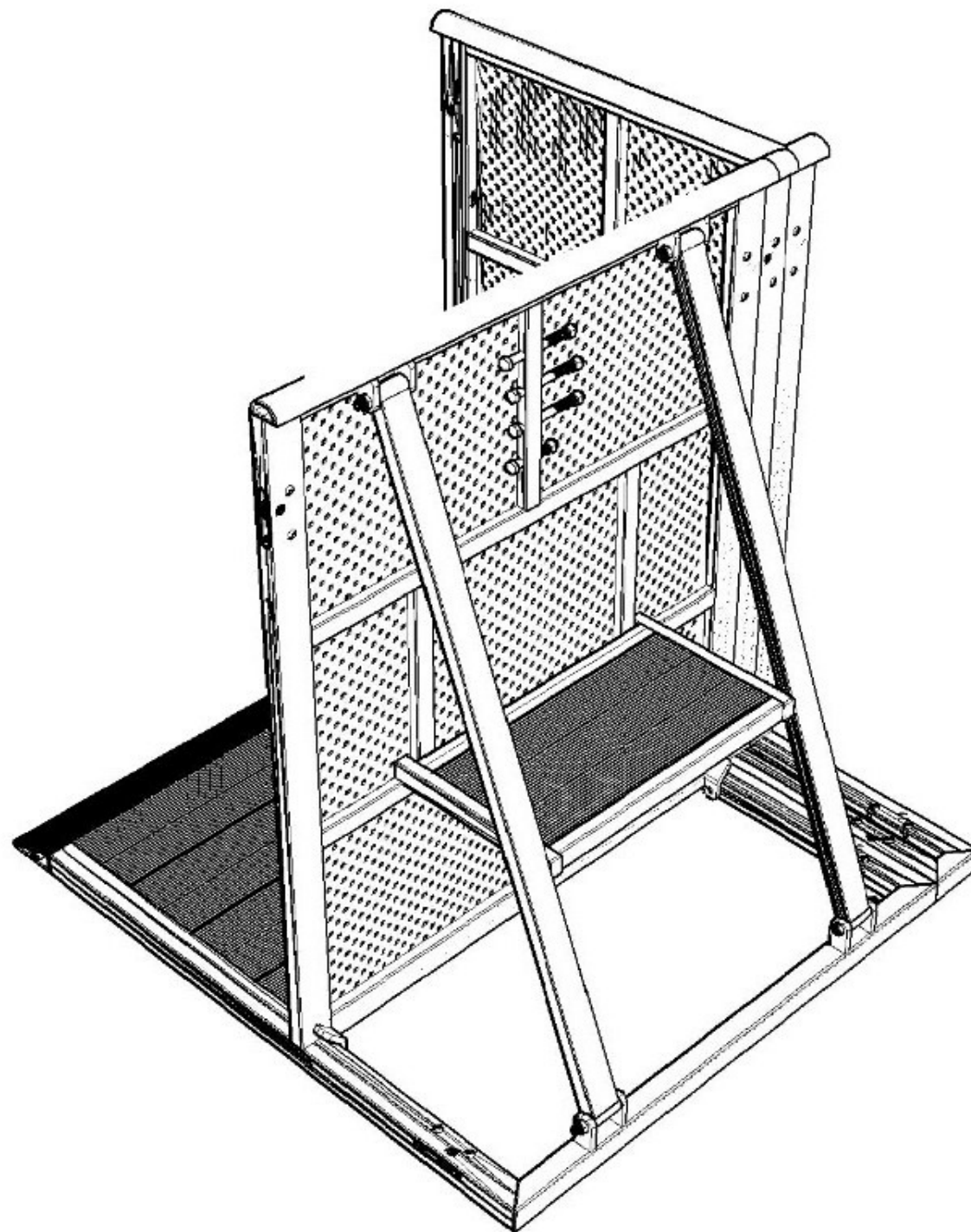
T Type



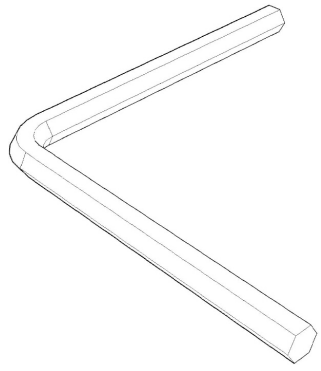
1. Put the T Type on the ground vertically



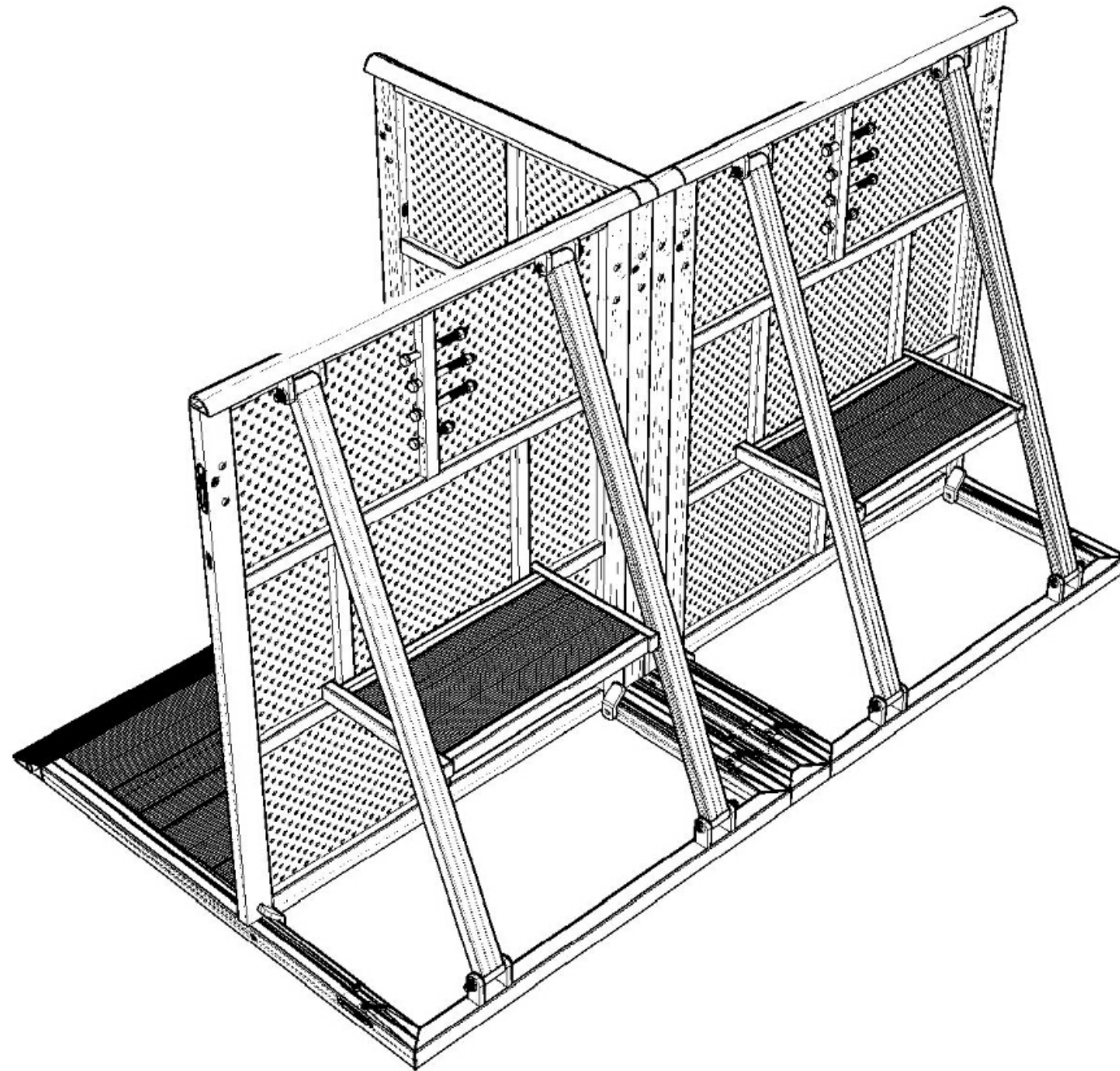
Tool: hexagonal wrench



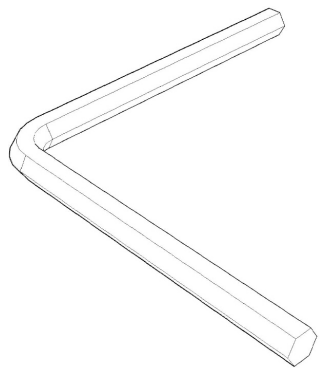
2. Connect one unit to one side of the T Type, as General Type Manual



Tool: hexagonal wrench



3. Connect the another unit to the second side of the T Type, as General Type Manual.

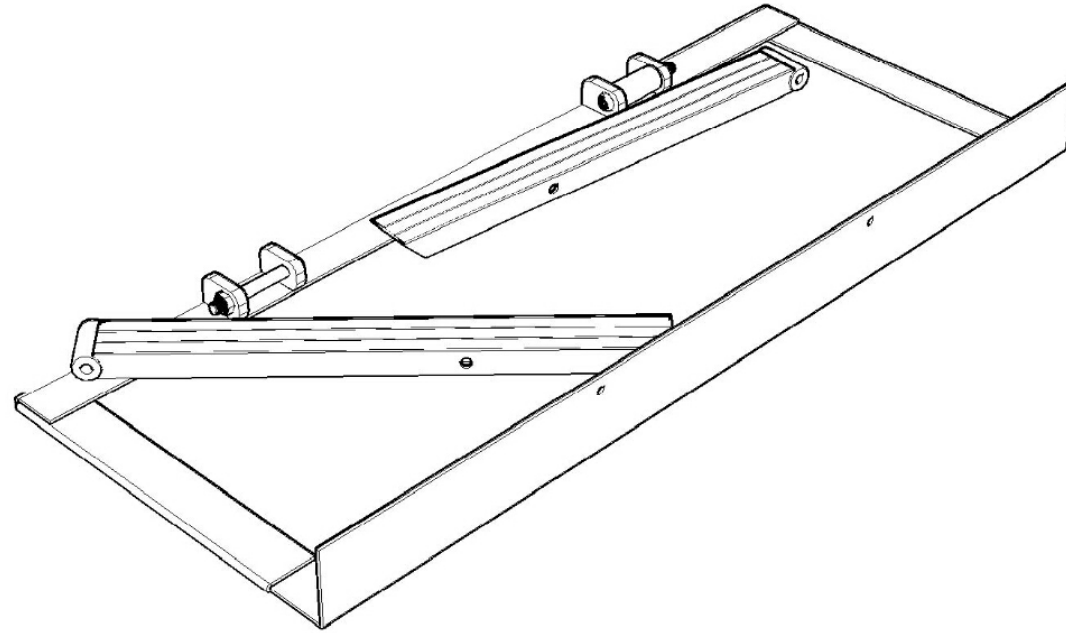
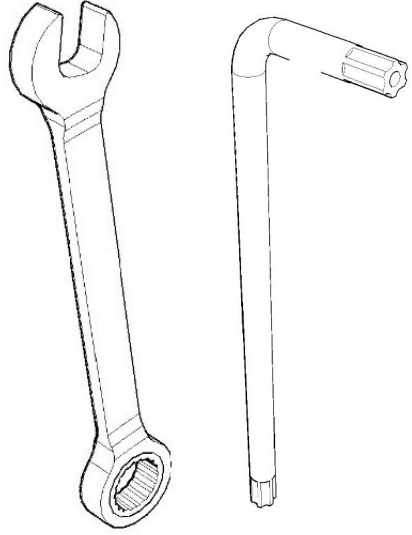


Tool: hexagonal wrench



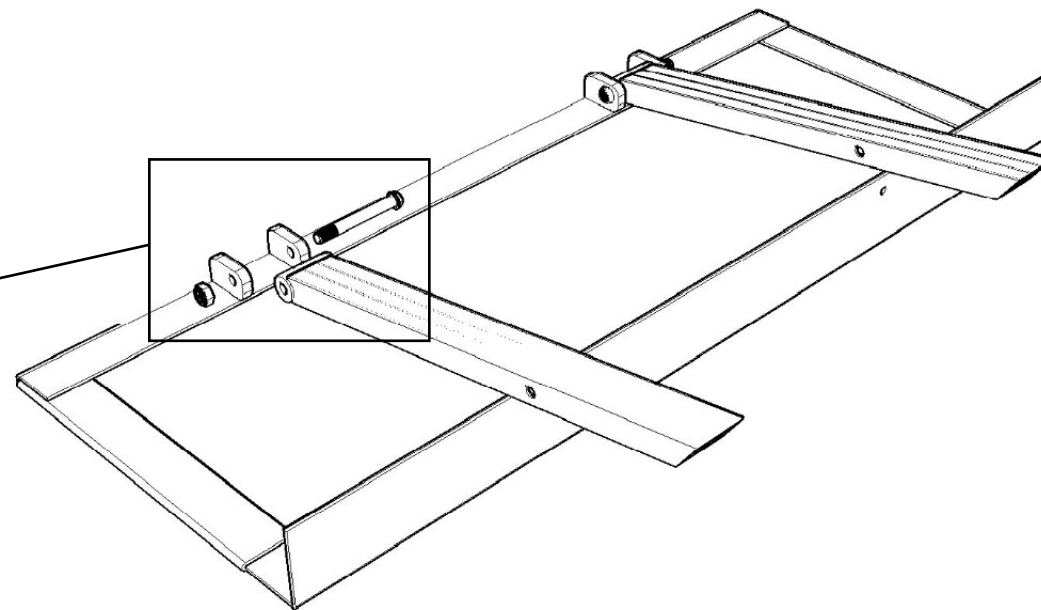
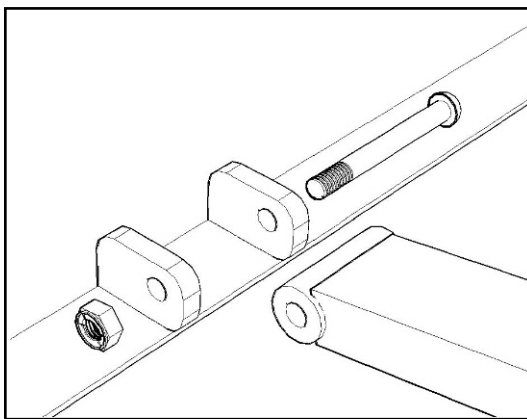
4. Connect one more unit to the third side of the T Type, as General Type Manual

Barrier Table

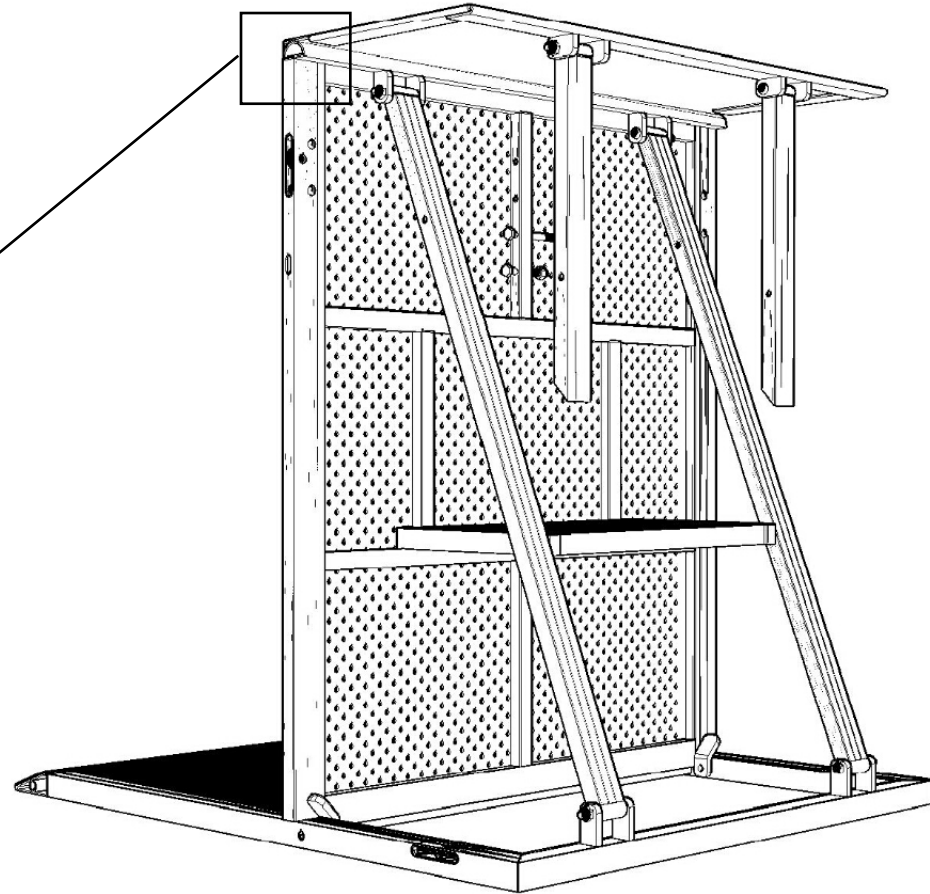
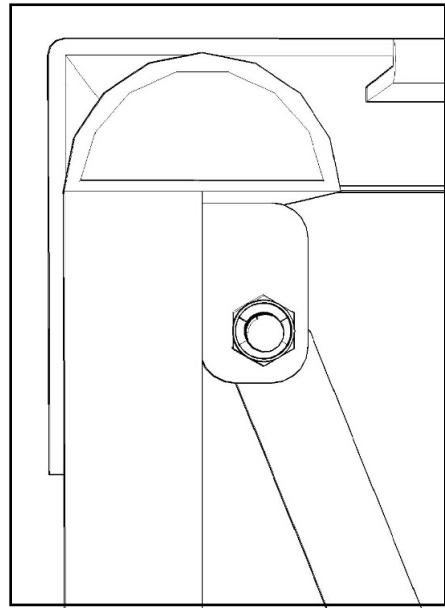


1. Components inside the package

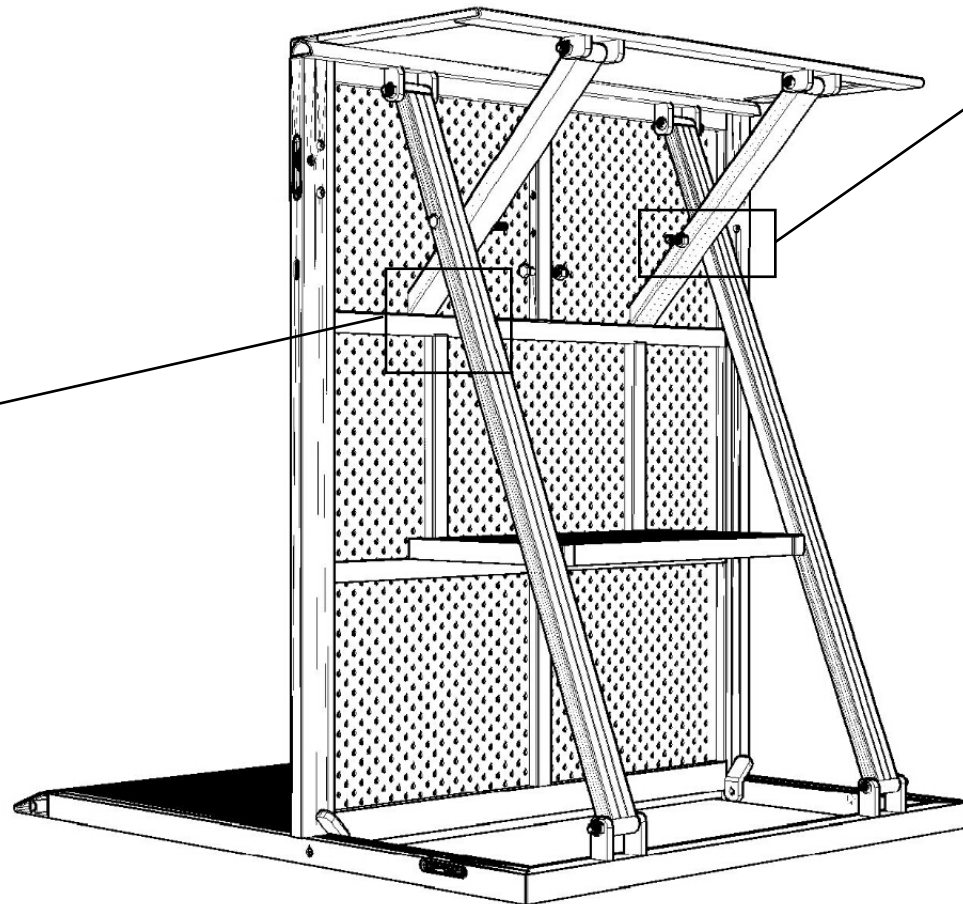
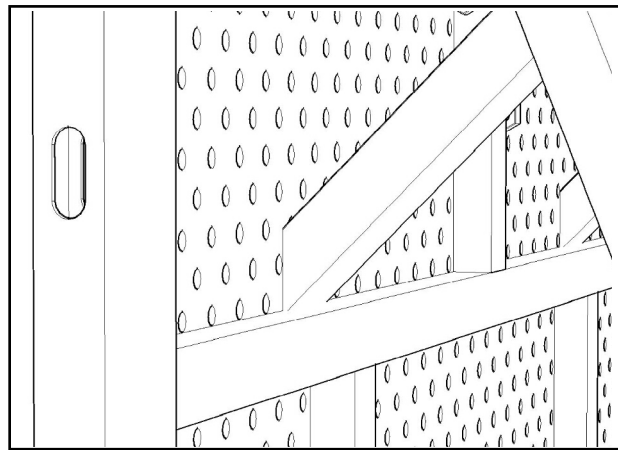
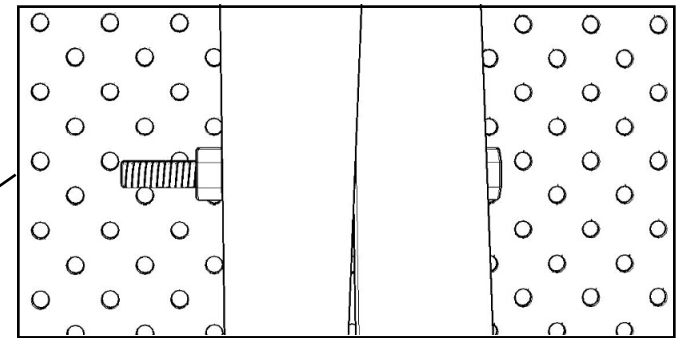
Tool: speed wrench
big socket wrench



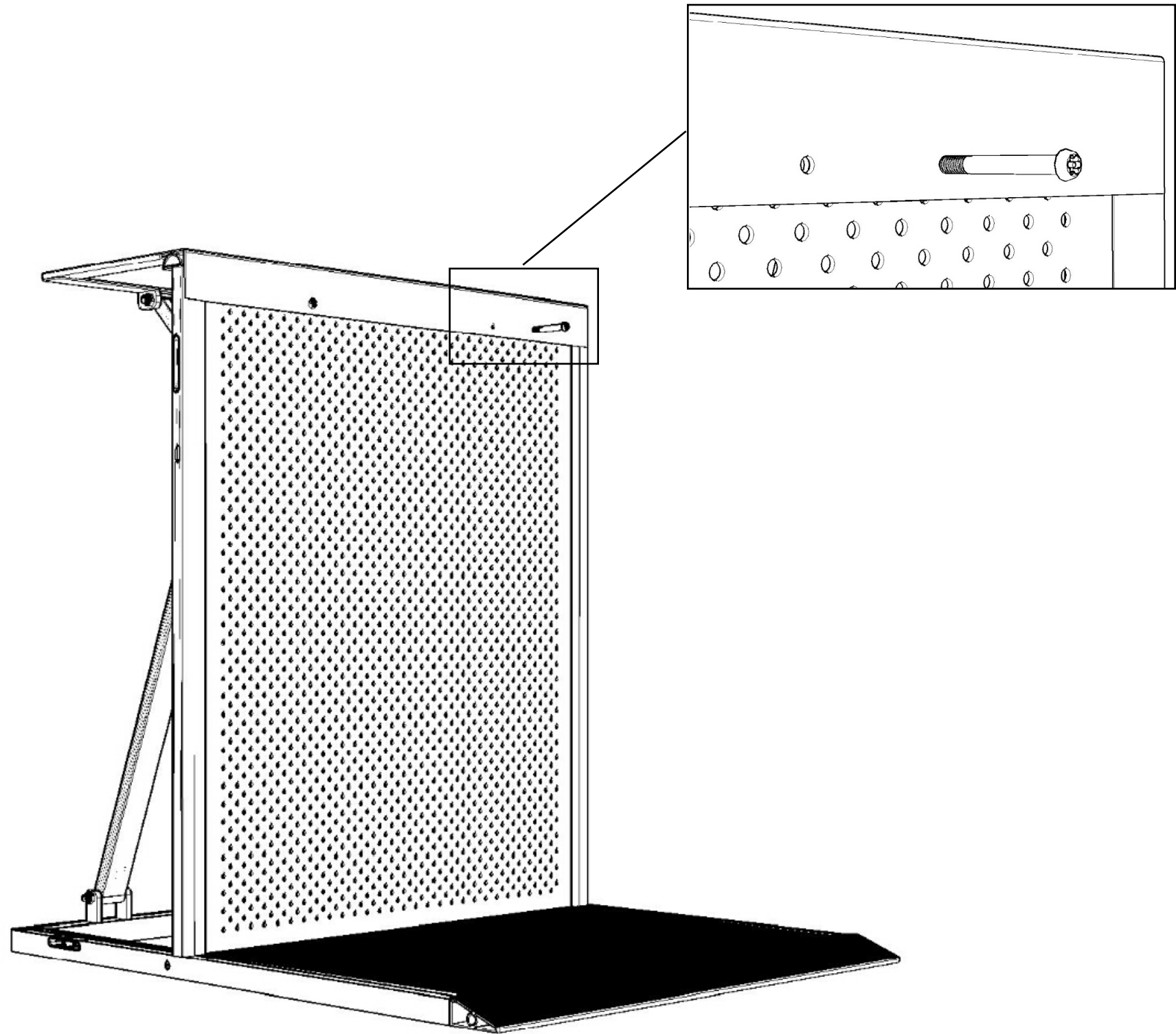
2. install the braces with
bolts M10x95 at the right
direction as drawing



3. Put the installed barrier table on the top of General Type as drawing



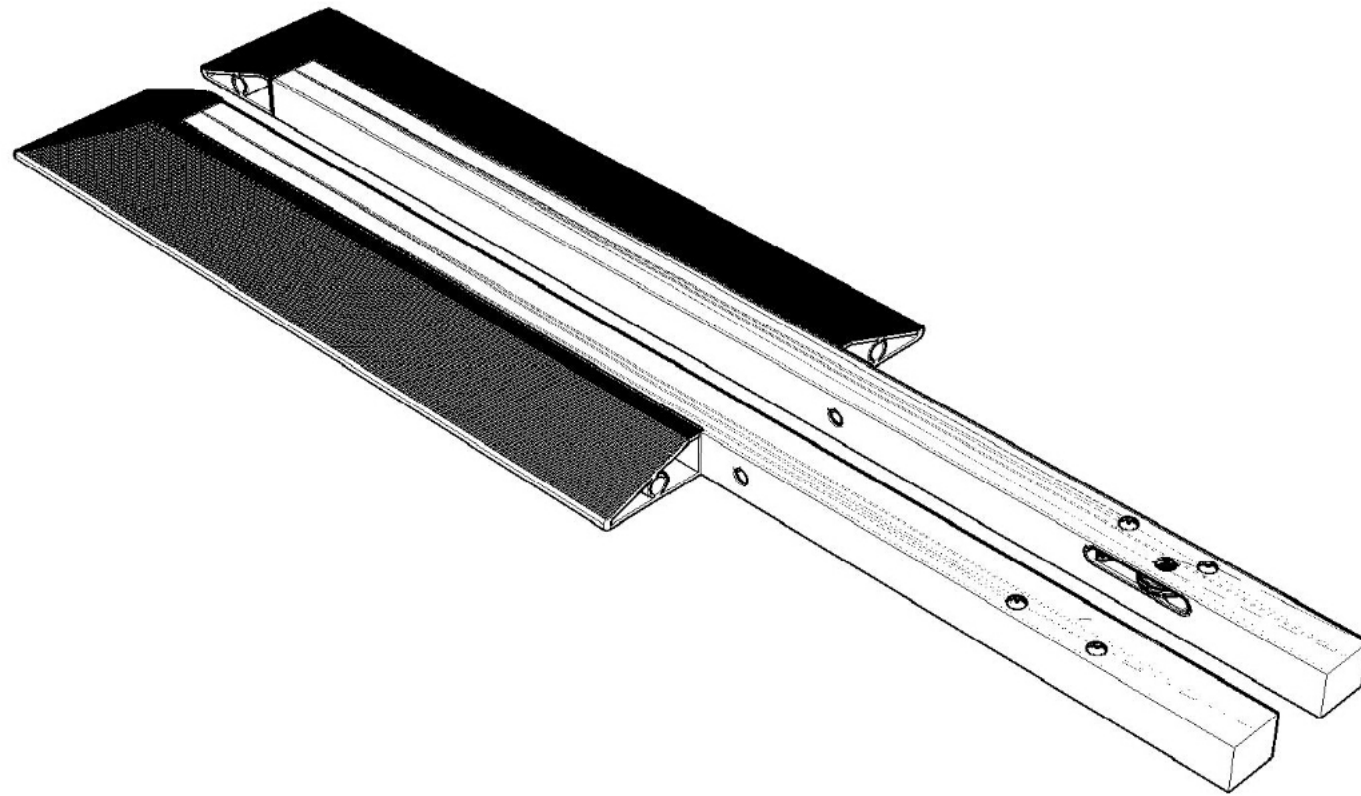
4. Use the long bolts to connect the braces of barrier table and General Type, as drawing



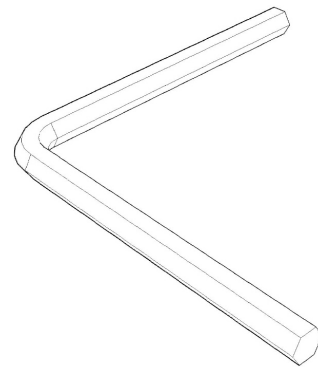
5. Use bolts M8 to connect the barrier table and the General Type at the front top as drawing

o

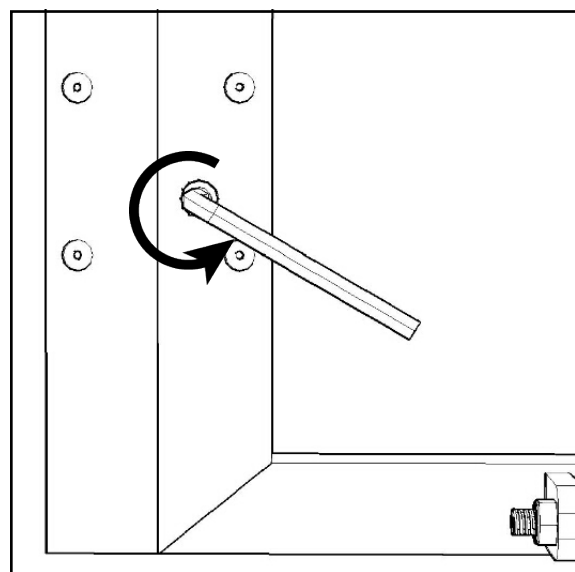
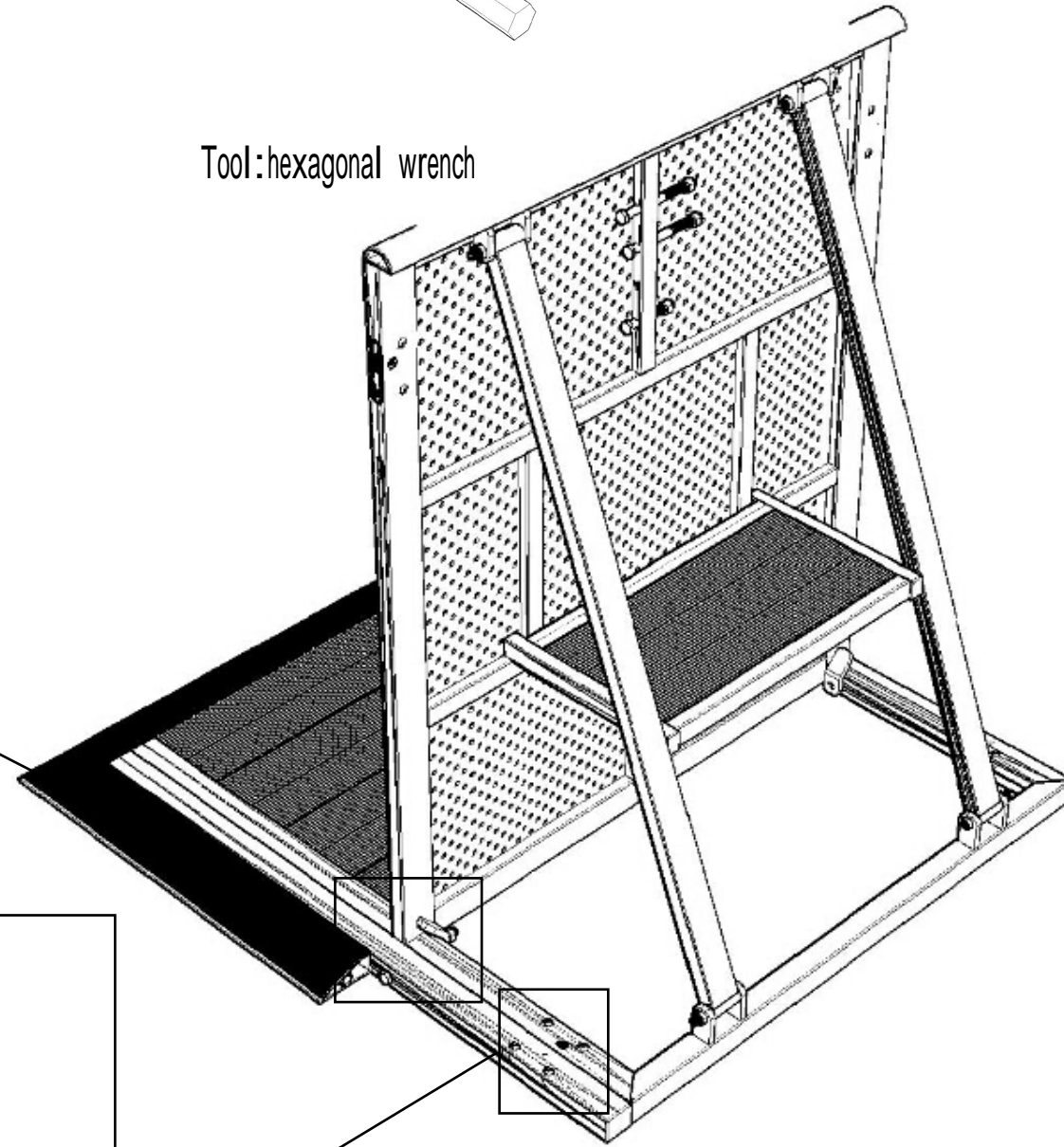
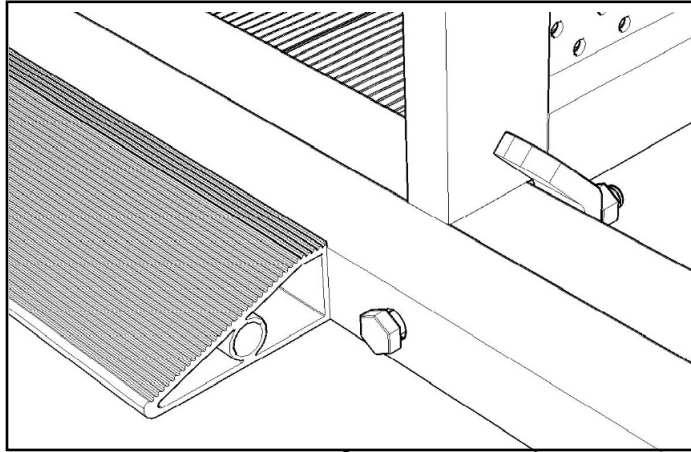
Edge Ramp: Left and Right



1. Put the edge ramps on the ground



Tool: hexagonal wrench



Lock System of Base Plate:
turn the hexagonal wrench
counterclockwise

2. Connect the ramps at both ends of the barriers, as drawing