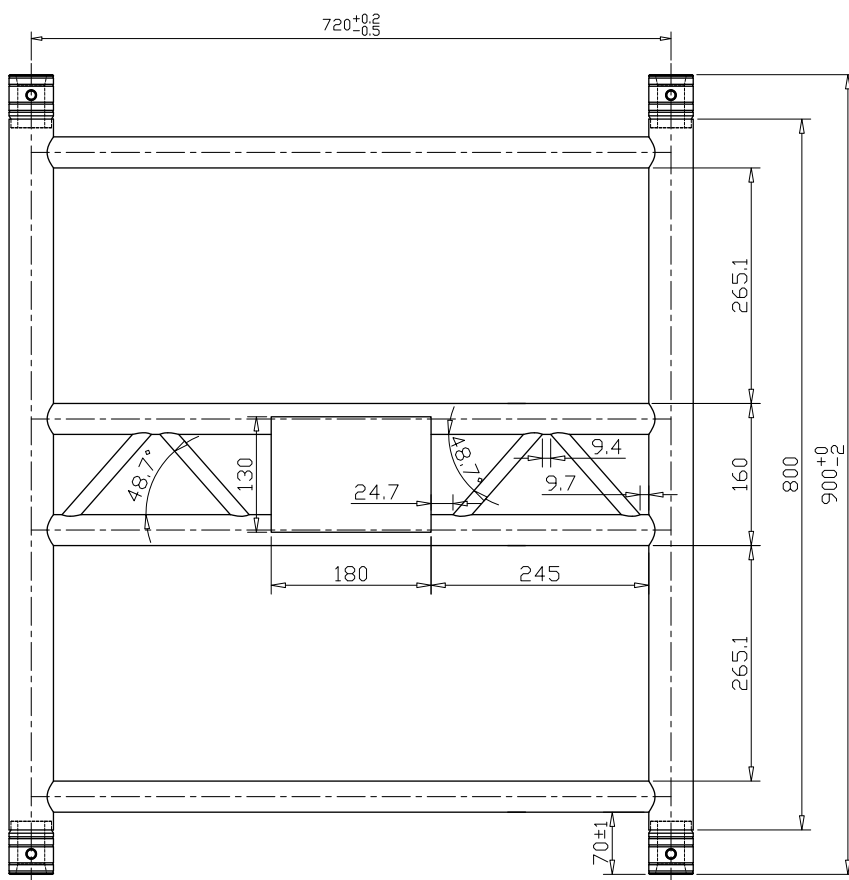
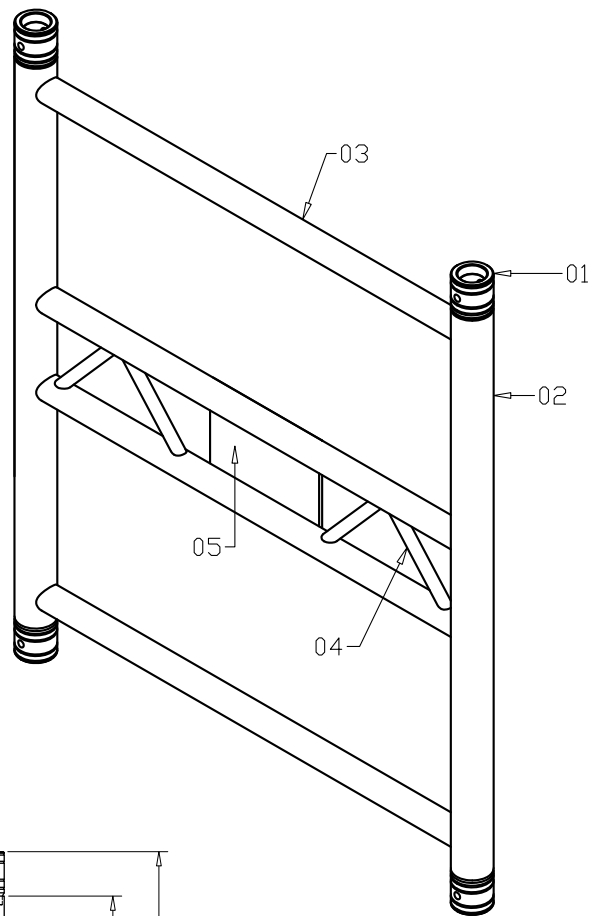


# LIGHTING RACK FRAME M

LR-FRAME-M



|     |  |          |      |      |
|-----|--|----------|------|------|
|     | DMS-01-1   | steel    | ZP   | 4    |
|     | DMS-01-4   | S45C     | ZP   | 4    |
|     | DMS-01-3   | #2011    | T6   | 2    |
| 05  | 180*130*5.0t                                       | #6061    | T6   | 1    |
| 04  | $\varnothing 16 * 2.0 t * 134.2 \text{mm}$         | #6082    | T6   | 4    |
| 03  | $\varnothing 34.9 * 2.2 t * 684.2 \text{mm}$       | #6082    | T6   | 4    |
| 02  | $\varnothing 50 * 3.0 t * 802 \text{mm}$           | #6082    | T6   | 2    |
| 01  | $\varnothing 50 * \varnothing 43.8 * 60 \text{mm}$ | #6082    | T6   | 4    |
| NO. | SPEC.  | MATERIAL | FIN. | QTY. |