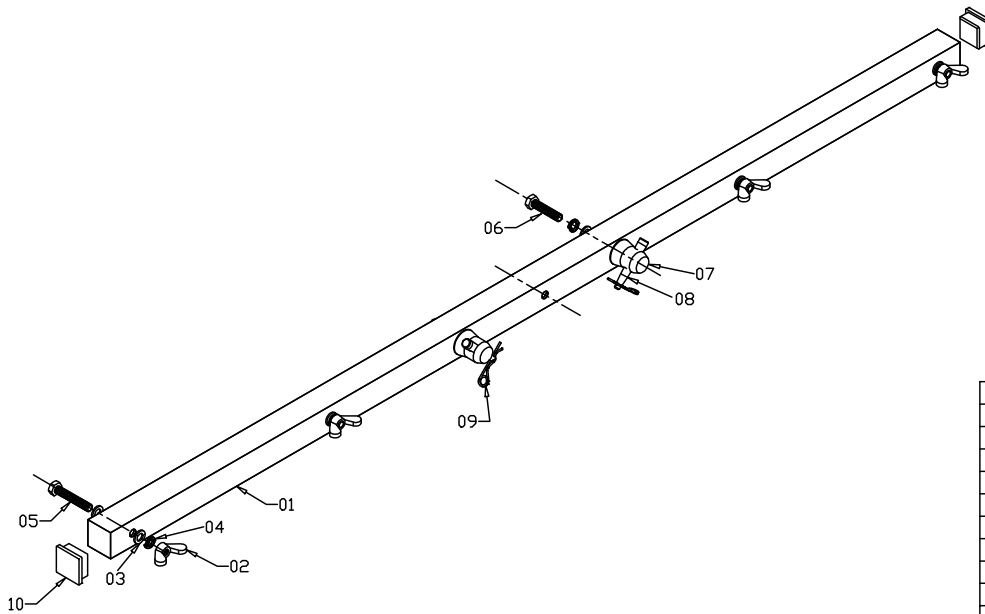
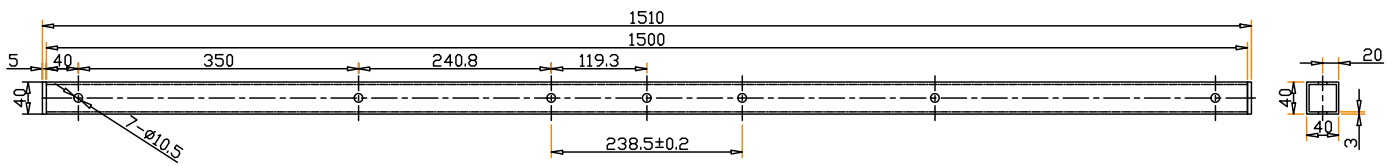


# GT T-BAR FÜR F32-F34

## GT-HEAD-BAR



10	PJ-NS006		black	2
09	DMS-01-1	Steel	ZP	2
08	DMS-01-4	S45C	ZP	2
07	ST5003B	S45C	ZP	2
06	M10*1.5P*55mm	8.8	black	2
05	M10*1.5P*70mm	8.8	ZP	4
04	Ø10.4*Ø16.5*3.0t	Q235	ZP	6
03	Ø10.2*Ø20*2.0t	Q235	ZP	10
02	M10*1.5P	Steel	ZP	4
01	40*40*3.0t*1500mm	#6061	T6	1
NO.	SPEC.	MATERIAL	FIN.	QTY

unit: mm