



Büro für Tragwerksplanung und Ingenieurbau
vom Felde + Keppler GmbH

Lütticher Straße 10 – 12
52064 Aachen
www.vom-felde.de

Telefon: 0241 709696
Telefax: 0241 709646
buero@vom-felde.de

Structural Report

Modular Drop System

25496

for the system by

Global Truss GmbH
Im Stöckmädle 27

76307 Karlsbad

compiled by:

responsible engineer:

assisting engineer:

Aachen, 05.09.2025



This Structural Report includes pages

1 – 10 + Annexes

This static calculation is set up exclusively for the company Global Truss GmbH.
Forwarding to third parties only with the author's approval.



TABLE OF CONTENTS

1	GENERAL REMARKS	1
1.1	Basics	1
1.2	Building Materials	1
1.3	General description	1
1.4	Advice on setting up and operation	2
1.5	Loadings	4
2	SYSTEM	5
3	STRUCTURAL INTEGRITY	6
3.1	Verification T-piece (chords)	6
3.2	Verification of stirrup / end bracket	8
3.3	Verification of fixation	10

Annex: drawings



1 GENERAL REMARKS

1.1 Basics

The currently applicable regulations and standards, in particular:

DIN EN 1991-1	Loadings for buildings (Eurocode 1)
DIN EN 13814	Temporary structures
DIN EN 13782	Temporary structures – Tents
DIN EN 1993-1	Steel structures (Eurocode 3)
DIN EN 1995-1	Wooden Structures (Eurocode 5)
DIN EN 1999-1	Aluminium Structures (Eurocode 9)
DIN 4113	Aluminium Structures
DIN 4114	Stability
DIN 15920	Part 2: Stage and Studio structures
DIN 18800	Part 1: Steel Structures
DIN 2448	Steel tubes
DIN EN 12385	Steel cables

DGUV 215-313 Loads above persons

1.2 Building Materials

EN AW-6082 T6	Aluminium alloy of the Tubes (T-piece and F31 spacers)
EN AW-6061 T6	Aluminium alloy of the stirrup plates

1.3 General description

Subject of this calculation is the verification of a so-called Modular Drop System and its attachment to a substructure (pipe with a diameter of 48-51 mm). The substructure itself is not the subject of this static calculation and must be verified separately.

The structure consists of several T-pieces arranged one above the other, which are connected to each other via conical connector. The Modular Drop System is suspended from a substructure using half couplers 5034 or 5034-1 (manufacturer: Globaltruss).

Optionally, the distance between two T-pieces can be extended by F31 spacers. In this case, the allowable loading per T-piece has to be reduced by the weight of the spacers (see also notes chap. 1.4).

For the lower end, it is possible to arrange so-called stirrups (end brackets).
=> see chapter 1.4 variant G or optionally for variants A to F (reduce loading acc. chap. 1.4).

In this calculation only the indoor setup is taken into account

The components (T-piece and stirrup) are verified in accordance with the principles of DGUV 215-313 as load lifting devices acc. EN 1999-1.

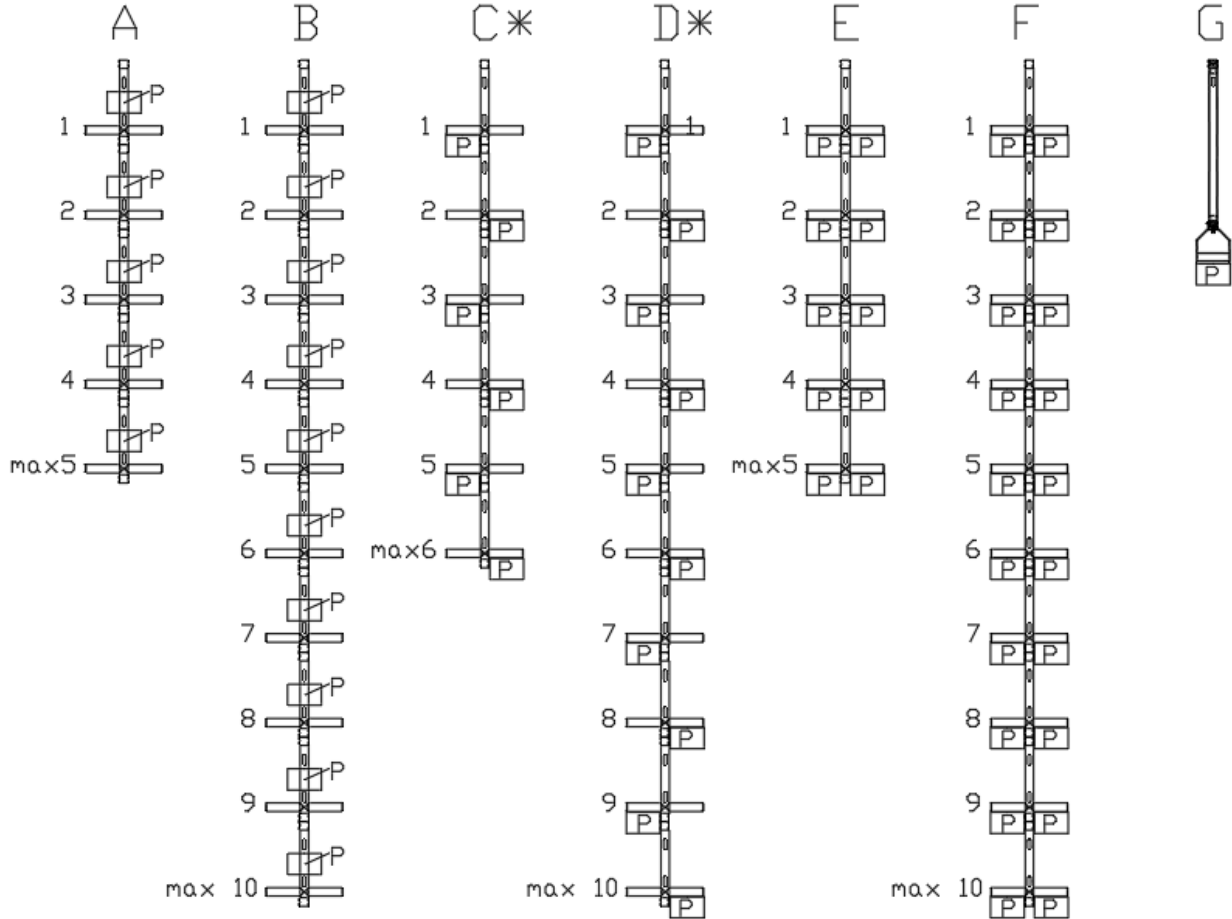
The top fixation (half coupler) is calculated acc. DGUV 215-313 as lifting tackles with doubled operation coefficient.



1.4 Advice on setting up and operation

There are 7 different variants (A, B, C*, D*, E, F, G) of the Modular Drop System. Up to 10 T-pieces can be mounted together.

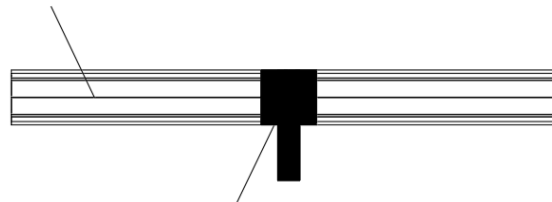
The suspended loadings P are mounted centered at the horizontal tubes or at their vertical tubes:



For the variants C* and D* the sum of loadings at the left and at the right side have to be equally. The number of frames has to be even.

The Drop System is attached to a pipe with a diameter of 48-51 mm using a Globaltruss Half Coupler (rated load capacity 500 kg) (item code: 5034 or 5034-1):

pipe 48-51 mm not subject of
this static calculation



Half Coupler (Globaltruss)

The pipe 48-51 mm is not part of this static calculation and must be verified separately!



allowable loadings P in [kg] for variants A to G:

The allowable loadings P acc. DGUV 215-313 per T-piece or stirrup of the different variants (A, B, C*, D*, E, F, G) are shown in the following tables.

=> verification see chapter 3

Variante	A	Variante	B	Variante	C	Variante	D	Variante	E	Variante	F	Variante	G
max n	5	max n	10	max n	6	max n	10	max n	5	max n	10	max n	1
P [kg] ≤	48	P [kg] ≤	23	P [kg] ≤	39	P [kg] ≤	23	P [kg] ≤	24	P [kg] ≤	11	P [kg] ≤	170

(note: for variante G, the verification of the stirrup plate is decisive => see chapter 3.2)

i) Extension between two T-pieces for variants A to F:

Optionally, the distance between two T-pieces can be extended using F31 spacer. In this case, the permissible payload per T-piece must be reduced by the weight of the spacers:

Example: Extension with a 1,0m tube
Weight of extension tube ca. 1,80 kg
Weight of connection ca. 0,25 kg
=> allowable loading has to be reduced by 2,05 kg

for example for variant A:
now **allowable P = 45,95 kg** previously 48 kg

ii) Addition of stirrup/end bracket for variants A to F:

Optionally, a stirrup/end bracket can be added to variants A to F at the bottom. In this case, the permissible payload per T-piece must be reduced by the weight of the stirrup + **payload on the stirrup**.

Example: Stirrup + 15 kg payload on the stirrup
Weight of the stirrup ca. 1,0 kg
Payload on the stirrup ca. 15 kg
=> allowable loading has to be reduced by 16 kg

for example for variant A:
n = 5 payloads
now **allowable P = (48 - 16/5) = 44,8 kg** previously 48 kg

for example for variant F:
n = 20 payloads
now **allowable P = (11 - 16/20) = 10,2 kg** previously 11 kg

iii) combination of i + ii:

A combination of i + ii is also possible:

Example: Extension with a 1,0m tube and addition of stirrup + 15 kg payload on the stirrup

vor example for variant A:
reduction due to extension: see i)
now allowable P = 45,95 kg
reduction due to addition of stirrup + payload see ii)
=> allowable loading reduced by 16 kg
now **allowable P = (45,95 - 16/5) = 42,75 kg**

iv) Extension variant G:

It is possible to extend variante G using F31 spacer until a total load of 250 kg (ELL of the Half Coupler from Globaltruss => see verification in chap. 3.3) is reached.

=> possible weight of extension: $250 - 170 - 3,6 = 76,4$ kg => unrealistic scenario!



1.5 Loadings

Selfweight

T-piece			approx. 1,50 kg
Connector			approx. 0,25 kg
Half Coupler			approx. 0,80 kg
Stirrup			approx. 1,00 kg
extension	F31	L = 1,00 m	approx. 1,80 kg
		L = 0,50 m	approx. 1,20 kg
		L = 0,25 m	approx. 0,90 kg

Total weight variants A – G

Variante	A	B	C	D	E	F	G
in [kg]	9,3	18,1	11,1	18,1	9,3	18,1	3,6

Payloads P

Depending on the variant see chapter 1.4

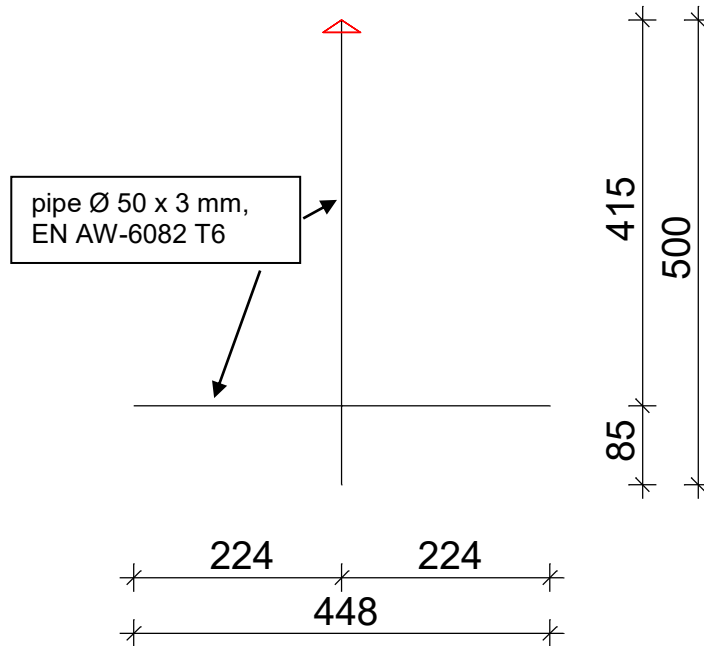


2 SYSTEM

Overview of isometric T-piece - axial dimensions in [mm]

(All dimensions refer tot he system lines of the pipes.)

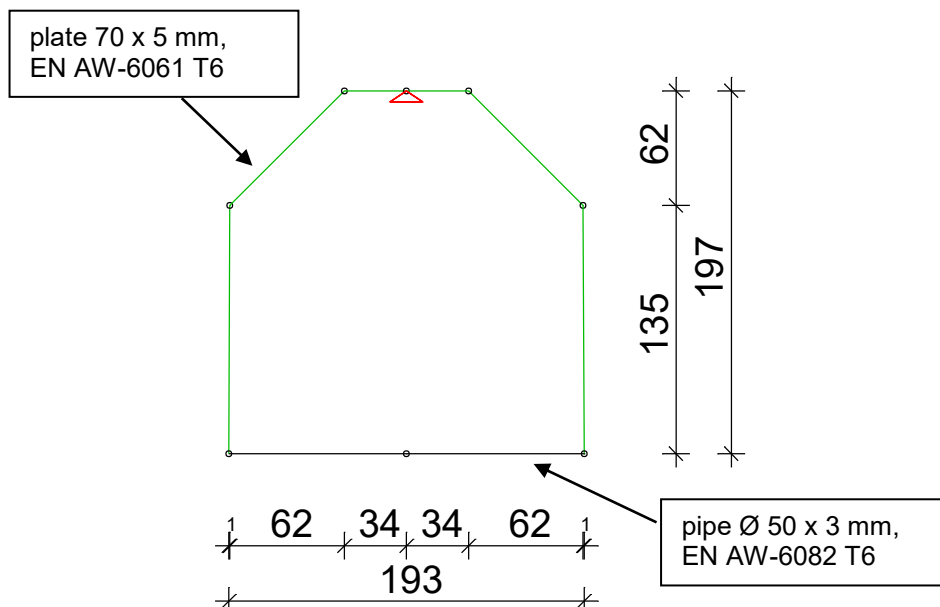
see also drawing in the annex



Overview of isometric stirrup/end bracket - axial dimensions in [mm]

(All dimensions refer tot he system lines of the pipes and plates)

see also drawing in the annex



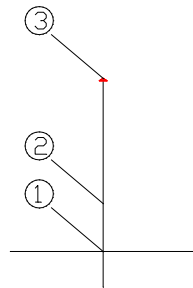
3 STRUCTURAL INTEGRITY

3.1 Verification T-piece (chords)

Section- and material properties:

chords	material	fo [N/mm ²]	fu [N/mm ²]	fo,haz [N/mm ²]	fu,haz [N/mm ²]
50x3mm	6082 T6	250	290	125	185

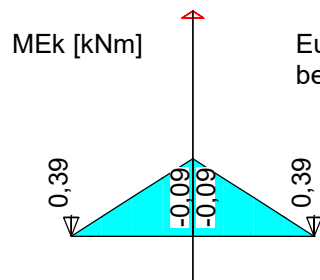
The verifications are only carried out for variant C, as this variant allows the highest payloads P to be attached to the lateral cantilevers and the stress on the T-pieces is maximum.



The decisive factor for verifying the horizontal tube is point 1. To be on the safe side, it is assumed that the entire cross-section is located in the heat-affected-zone (HAZ).

The decisive factor for verifying the vertical tube is point 2 with a reduced cross-section due to two openings with a diameter of 20 mm (see drawing in the appendix). To be on the safe side, it is assumed that the entire cross-section is located in the heat-affected-zone (HAZ).

T-piece: bending moment in [kNm] for max. payload P of 39 kg at the lateral cantilevers



Eurocode safety factors are taken into account in the verification below!

Verifications at point 1 - Verification horizontal pipe: (including safety factor 1,5 according to Eurocode)

Maximum loading $\max M_{Ed} = 1,5 \cdot 9 \text{ kNcm} = 13,5 \text{ kNcm}$

Resistance $\min f_{u,haz} = 18,5 \text{ kN/cm}^2$ (EN AW 6082 T6)
 $A = 4,43 \text{ cm}^2$

Reduction factor 0,8 acc. EN 1999-1

$\rho_{u,haz} = 185 / 290 = 0,64$

$t_{eff} = 0,8 \cdot 0,64 \cdot 3 = 1,53 \text{ mm} \Rightarrow W_{net} = \pi \cdot 2,35^2 \cdot 0,153 = 2,65 \text{ cm}^3$

$\min f_u = 29 \text{ kN/cm}^2$ (EN AW 6082 T6)

$MRd = 2,65 \cdot 29 / 1,25 = 61,48 \text{ kNcm}$

Verification acc. EN 1999-1: $13,5 / 61,48 = 0,22 < 1,0$



Verifications at point 2 - Verification vertical pipe: (including safety factor 1,5 according to Eurocode)

Maximum loading	$\max N_{Ed} = 1,5 \cdot 5,0 / 2 = 3,75 \text{ kN}$ (from max. load-capacity of the fixations, see chapter. 3.3)
Resistance	$\min f_{u,haz} = 18,5 \text{ kN/cm}^2$ (EN AW 6082 T6) $A = 4,43 \text{ cm}^2$ Reduction factor 0,8 acc. EN 1999-1 for welded aluminium Reduction factor 0,9 acc. EN 1999-1 for local failure in cross-section with holes $A_{,holes} = 2 \text{ cm} \cdot 0,3 \text{ cm} \cdot 2 = 1,2 \text{ cm}^2$ $NRd = 0,8 \cdot 18,5 / 1,25 \cdot (4,43 - 1,2) \text{ cm}^2 \cdot 0,9 = 34,42 \text{ kN}$
Verification acc. EN 1999-1:	$(3,75 / 34,42)^{1,3} = 0,06 < 1,0$

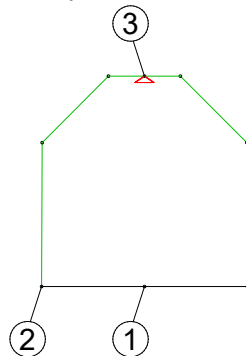
Verification at position 3 is covered by the verification at position 2.

3.2 Verification of stirrup / end bracket

Section- and material properties:

chords	material	fo [N/mm ²]	fu [N/mm ²]	fo,haz [N/mm ²]	fu,haz [N/mm ²]
50x3mm	6082 T6	250	290	125	185
plates	material	fo [N/mm ²]	fu [N/mm ²]	fo,haz [N/mm ²]	fu,haz [N/mm ²]
70x5mm	6061 T6	240	290	115	175

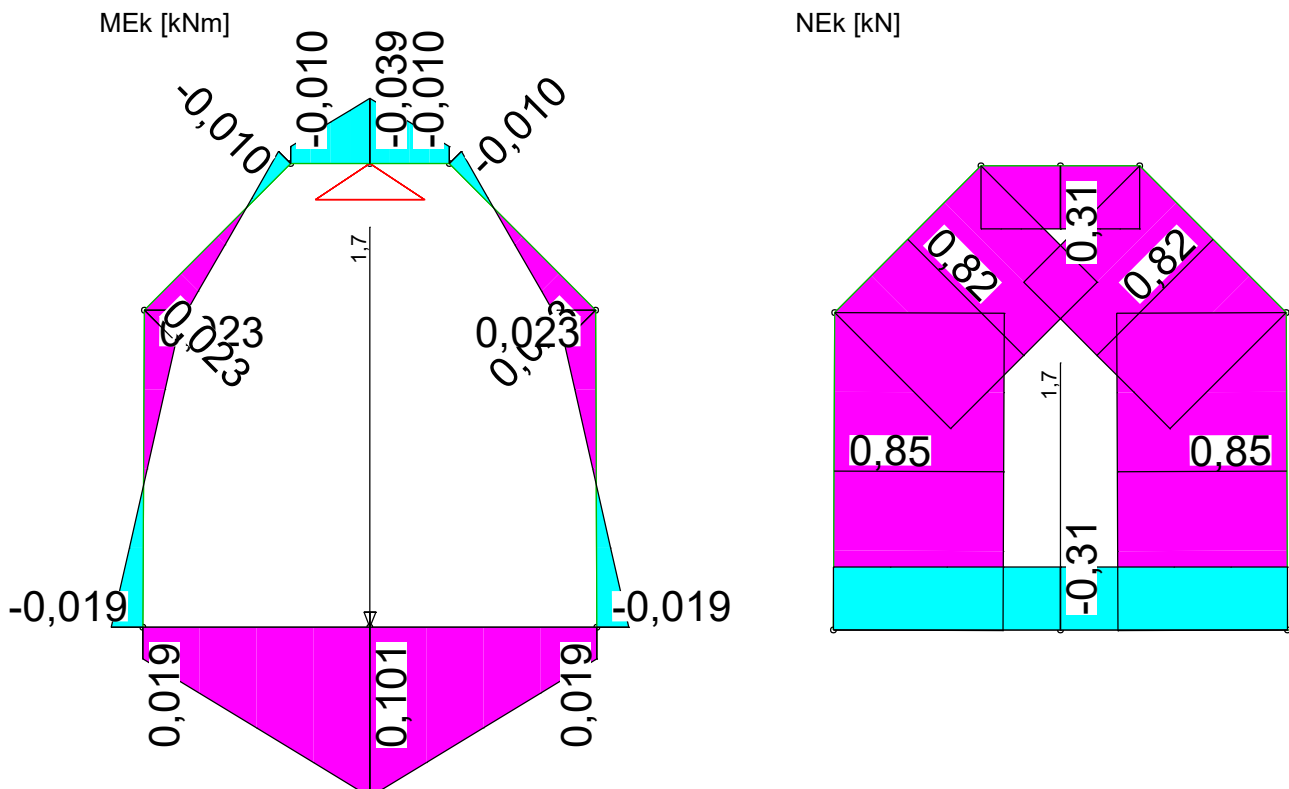
The verifications are only performed for variant G, as this variant allows the highest payloads P to be attached to the stirrup and the stress on the stirrup is maximum.



Verification point 2 is decisive for the chords. To be on the safe side, it is assumed that the entire cross-section is located in the heat-affected-zone (HAZ).

Verification points 2 + 3 are considered for the verification of the plates, assuming that the entire cross-section is located in the HAZ at verification point 2.

Stirrup: bending moment in [kNm] and normal force in [kN] for max. payload P with 170 kg



Eurocode safety factors are taken into account in the verification (see following page).



Verification chord 50 x 3 mm - EN AW 6082 T6:

Verification includes safety factor 1,5 according to Eurocode

max. bending moment: $M_{Ed} = 1,5 \cdot 10,1 \text{ kNcm} = 15,2 \text{ kNcm}$

max. normal force: $N_{Ed} = 1,5 \cdot 0,31 \text{ kN} = 0,47 \text{ kN}$

Resistance: safe side assumption cross-section completely in HAZ (see also chap. 3.1)
 $NR_d = 52,45 \text{ kN}$
 $MR_d = 61,48 \text{ kNcm}$

Verification: Interaction acc. EN 1999-1:
 $(0,47 / 52,45)^{1,3} + 15,2 / 61,48 = 0,25 < 1,0$

Verification plate 70 x 5 mm - EN AW 6061 T6:

Verification includes safety factor 1,5 according to Eurocode

Verification point 2 - cross-section completely in the heat-affected-zone (HAZ)

max. bending moment: $M_{Ed} = 1,5 \cdot 1,9 \text{ kNcm} = 2,85 \text{ kNcm}$

max. normal force: $N_{Ed} = 1,5 \cdot 0,85 \text{ kN} = 1,28 \text{ kN}$

Resistance: $W_{el} = 7 \cdot 0,5^2 / 6 = 0,292 \text{ cm}^3$
 $W_{pl} = 7 \cdot 0,5^2 / 4 = 0,438 \text{ cm}^3$
 $A = 7 \cdot 0,5 = 3,5 \text{ cm}^2$

EN AW 6061 T6 $f_{o,haz} = 11,5 \text{ kN/cm}^2$ $\gamma_{M1} = 1,10$
 $f_{u,haz} = 17,5 \text{ kN/cm}^2$ $\gamma_{M2} = 1,25$

$MR_{d,el} = 0,8 \cdot 0,292 \cdot 17,5 / 1,25 = 3,27 \text{ kNcm}$
 $MR_{d,pl} = 0,8 \cdot 0,438 \cdot 11,5 / 1,10 = 3,66 \text{ kNcm}$
 $NR_d = 0,8 \cdot 3,5 \cdot 11,5 / 1,10 = 29,27 \text{ kN}$

Verification: Interaction acc. EN 1999-1:
 $(1,28 / 29,27)^{1,3} + 2,85 / 3,27 = 0,89 < 1,0$

Verification point 3 - cross-section not in the HAZ

max. bending moment: $M_{Ed} = 1,5 \cdot 3,9 \text{ kNcm} = 5,85 \text{ kNcm}$

max. normal force: $N_{Ed} = 1,5 \cdot 0,31 \text{ kN} = 0,47 \text{ kN}$

Resistance: $W_{el} = 7 \cdot 0,5^2 / 6 = 0,292 \text{ cm}^3$
 $W_{pl} = 7 \cdot 0,5^2 / 4 = 0,438 \text{ cm}^3$
 $A = 7 \cdot 0,5 = 3,5 \text{ cm}^2$

EN AW 6061 T6 $f_o = 24,0 \text{ kN/cm}^2$ $\gamma_{M1} = 1,10$
 $f_u = 29,0 \text{ kN/cm}^2$ $\gamma_{M2} = 1,25$

$MR_{d,el} = 0,292 \cdot 29,0 / 1,25 = 6,77 \text{ kNcm}$
 $MR_{d,pl} = 0,438 \cdot 24,0 / 1,10 = 9,56 \text{ kNcm}$
 $NR_d = 3,5 \cdot 24,0 / 1,10 = 76,36 \text{ kN}$

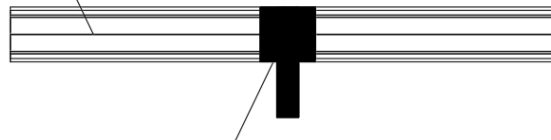
Verification: Interaction acc. EN 1999-1:
 $(0,47 / 76,36)^{1,3} + 5,85 / 6,77 = 0,87 < 1,0$



3.3 Verification of fixation

The Drop System is attached to a pipe with a diameter of 48-51 mm using a Globaltruss Half Coupler (rated load capacity 500 kg) (item code: 5034 or 5034-1):

pipe 48-51 mm not subject of
this static calculation



Half Coupler (Globaltruss)

The pipe 48-51 mm is not part of this static calculation and must be verified separately!

Acc. DGUV 215-313 only 50% of the load-capacity given by the manufacturer can be taken into account for loadings above persons.

Fixation with Half Coupler (Globaltruss) variants A-G (item code: 5034/5034-1)

WLL 500 kg

allowable $P_{total} = 500 / 2 = 250$ kg (ELL)

The calculation is done acc. the following principle:

$$P = (\text{all } P_{total} - G_{ges}) / k$$

The results are shown in the tables of chapter 1.4

Example for variant A

Number of frames $n = 5$

Number of mounted payloads $k = 5$

selfweight G :

$$G = n \times 1,5 \text{ kg} + 0,8 \text{ kg} + (n-1) \times 0,25 \\ = 5 \times 1,5 + 0,8 + 4 \times 0,25 = 9,3 \text{ kg}$$

Allowable payloads P :

$$P = (250 \text{ kg} - 9,3 \text{ kg}) / 5 = 48,14 \text{ kg} = \text{approx. } 48 \text{ kg}$$

Example for variant F

Number of frames $n = 10$

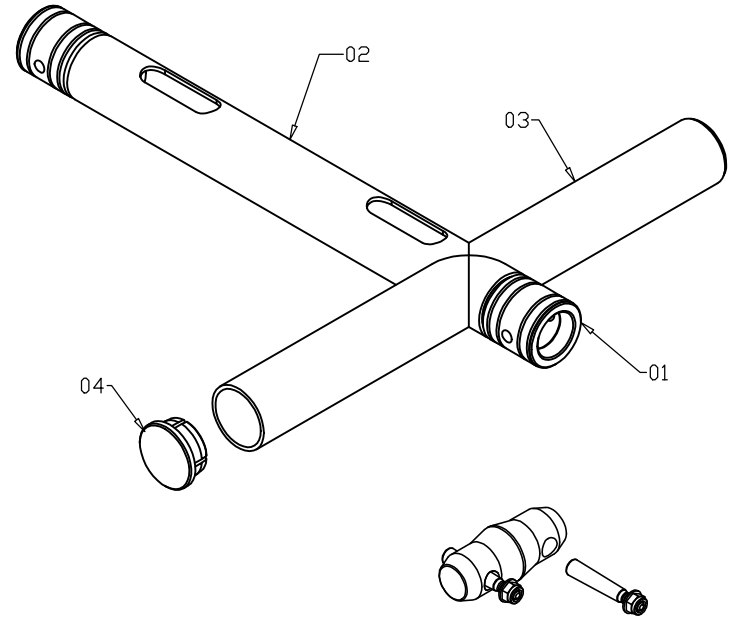
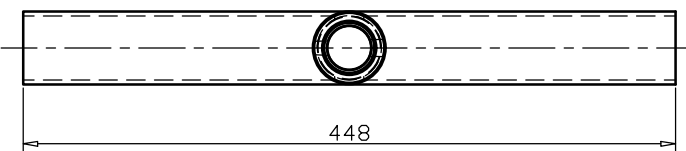
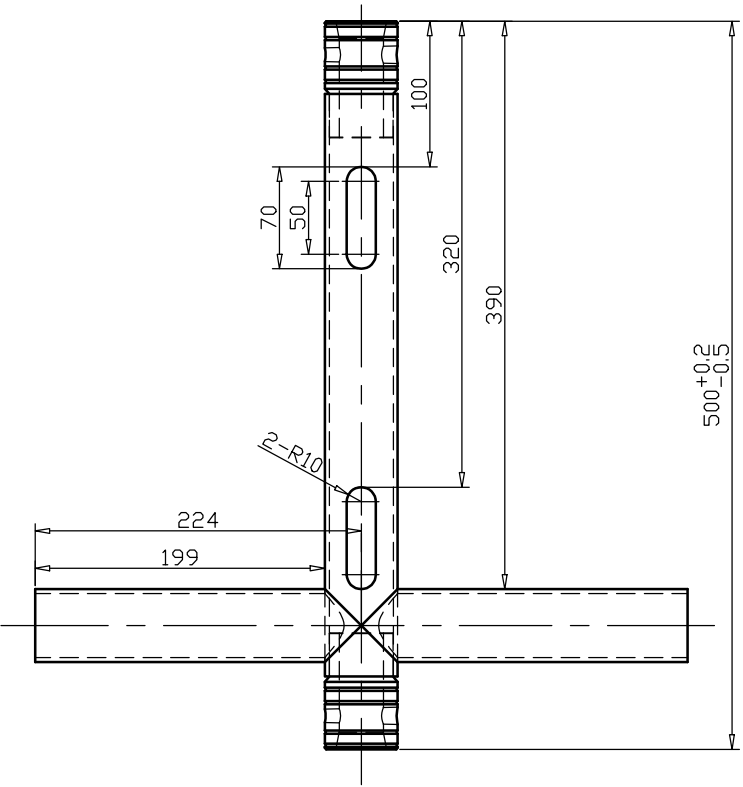
Number of mounted payloads $k = 20$

selfweight G :

$$G = n \times 1,5 \text{ kg} + 0,8 \text{ kg} + (n-1) \times 0,25 \\ = 10 \times 1,5 + 0,8 + 9 \times 0,25 = 18,05 \text{ kg}$$

Allowable payloads P :

$$P = (250 \text{ kg} - 18,05 \text{ kg}) / 20 = 11,60 \text{ kg} = \text{approx. } 11 \text{ kg}$$

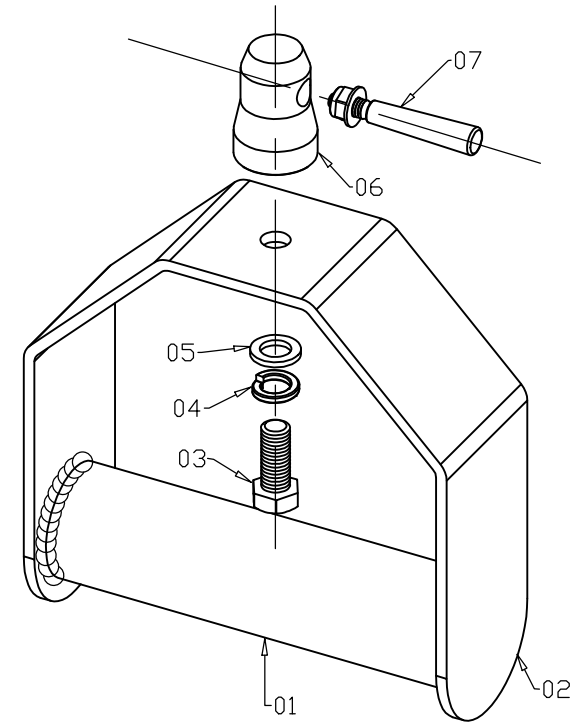
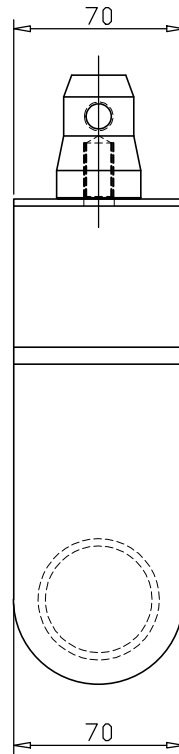
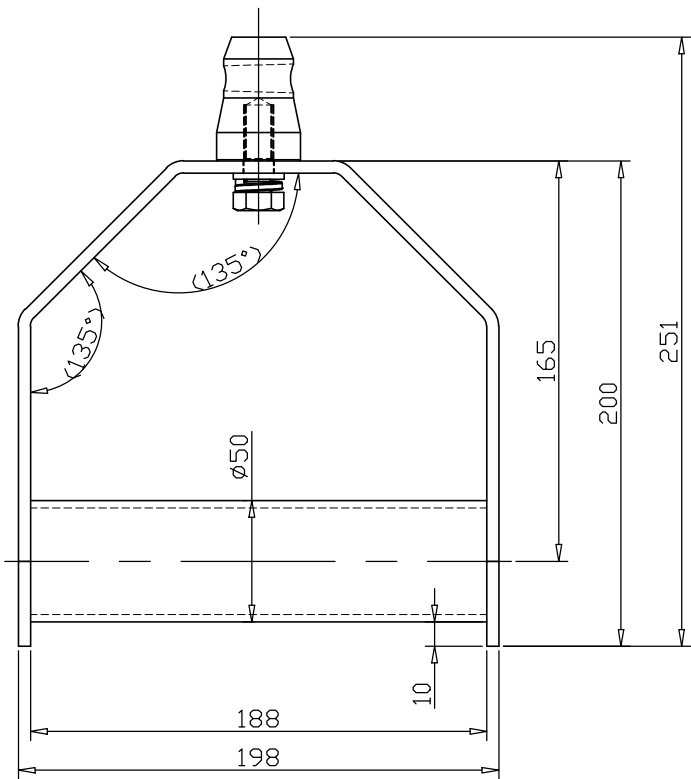


fitting	ST5005	S45C	ZP	2
	DMS-01-3	#2011	T6	1
04	PJ-NS017C		RAW	2
03	∅50*3.0t*224mm	#6082	T6	2
02	∅50*3.0t*400mm	#6082	T6	1
01	DMS-01-2CR	#6082	T6	2
NO.	SPEC.	MATERIAL	FIN.	QTY.

	DRAWN		DRAW NO	QDOLLY05D	DOLLY05D	edition	1	
	Specification	***	DESIGN	Bin Lee	DATE	17.11.15	2D/3D	APPROVED
	Weight	1.42kgs/pcs	UNITS	mm	Proofread	CHECKED		
	SURFACE	RAW	SCALE	1:5				

MARK	NAME	RETRIEVE	CONTENTS	DATE



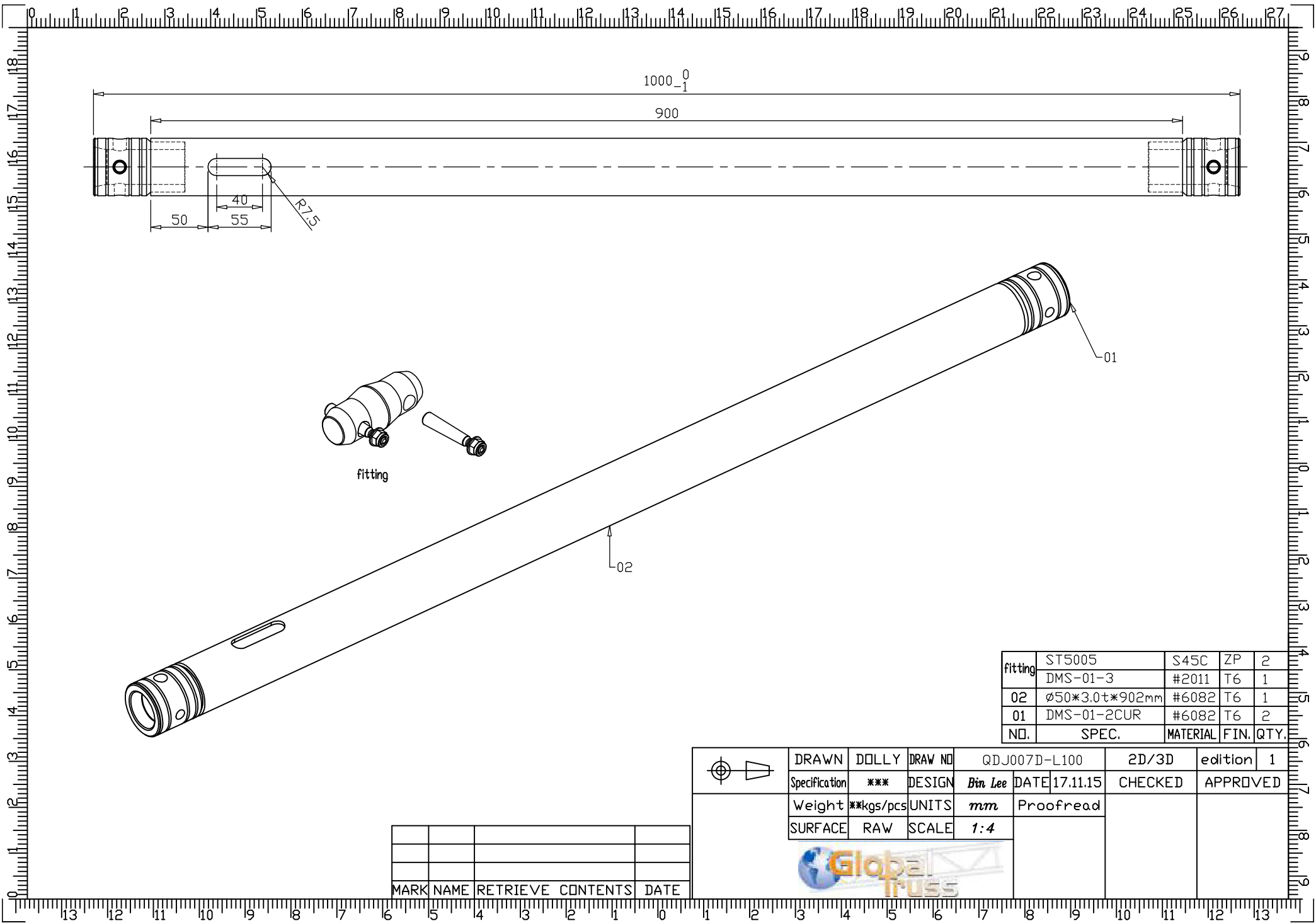


07	ST5005	S45C	ZP	1
06	YZ-DMS-05	#2011	T6	1
05	φ13*φ24*2.3t	steel	ZP	1
04	φ12.5*φ19*3.4t	steel	ZP	1
03	M12*1.75P*30mm	129DIN	black	1
02	PJ-LB229	#6061	T6	1
01	φ50*3.0t*188mm	#6082	T6	1
NO.	SPEC.	MATERIAL	FIN.	QTY.

	DRAWN	***	DRAW NO	QLJJ25A	2D/3D	edition	1	
	Specification	198*70*251mm	DESIGN	Iris	DATE	23.10.21	CHECKED	APPROVED
	Weight	0.88kgs/pcs	UNITS	mm	Proofread			
SURFACE	RAW	SCALE	1:3					

MARK	NAME	RETRIEVE CONTENTS	DATE



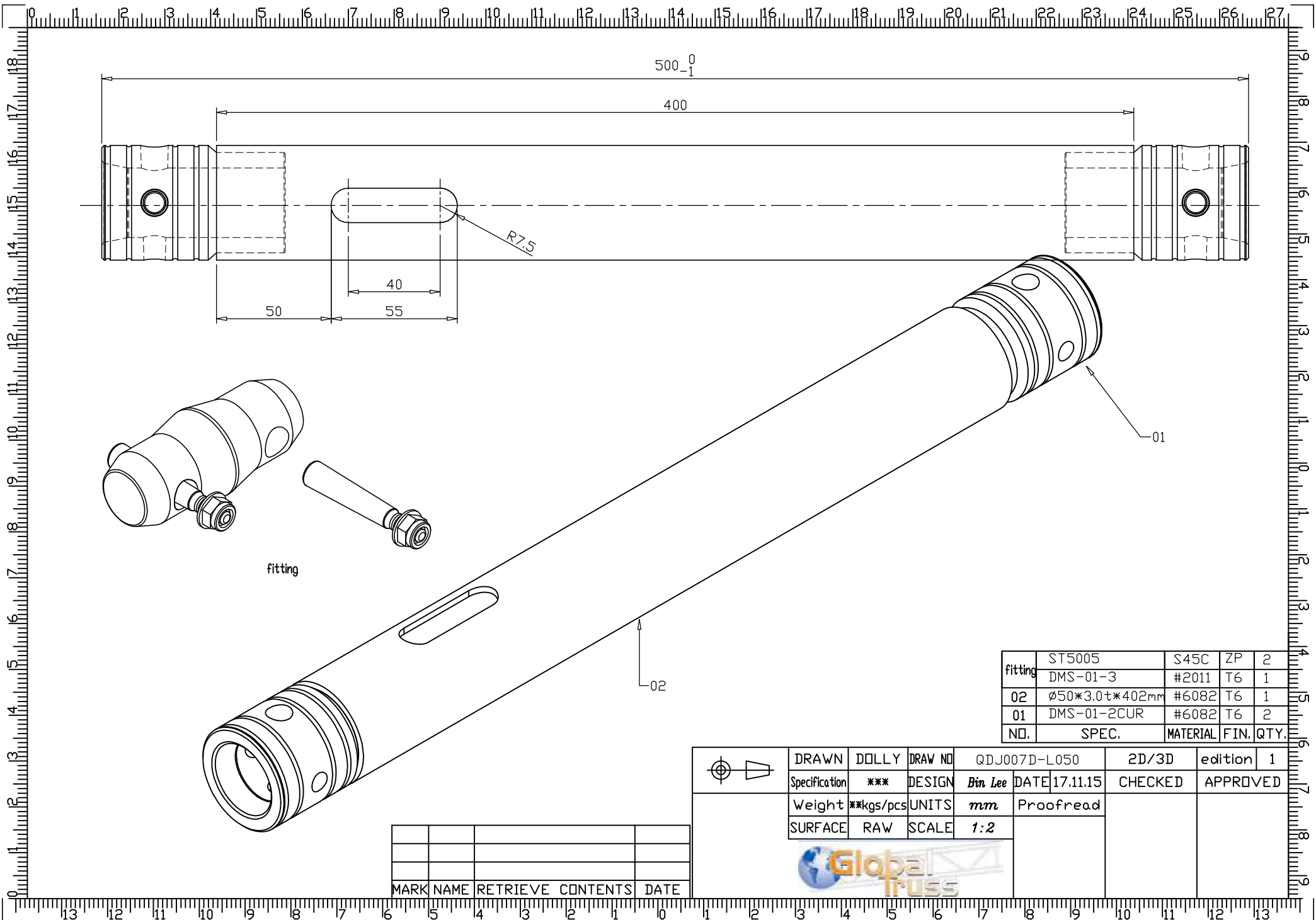


fitting	ST5005	S45C	ZP	2
	DMS-01-3	#2011	T6	1
02	∅50*3.0t*902mm	#6082	T6	1
01	DMS-01-2CUR	#6082	T6	2
NO.	SPEC.	MATERIAL	FIN.	QTY.

	DRAWN	DOLLY	DRAW NO	QDJ007D-L100	2D/3D	edition	1	
	Specification	***	DESIGN	Bin Lee	DATE	17.11.15	CHECKED	APPROVED
	Weight	**kgs/pcs	UNITS	mm	Proofread			
	SURFACE	RAW	SCALE	1:4				

MARK	NAME	RETRIEVE	CONTENTS	DATE



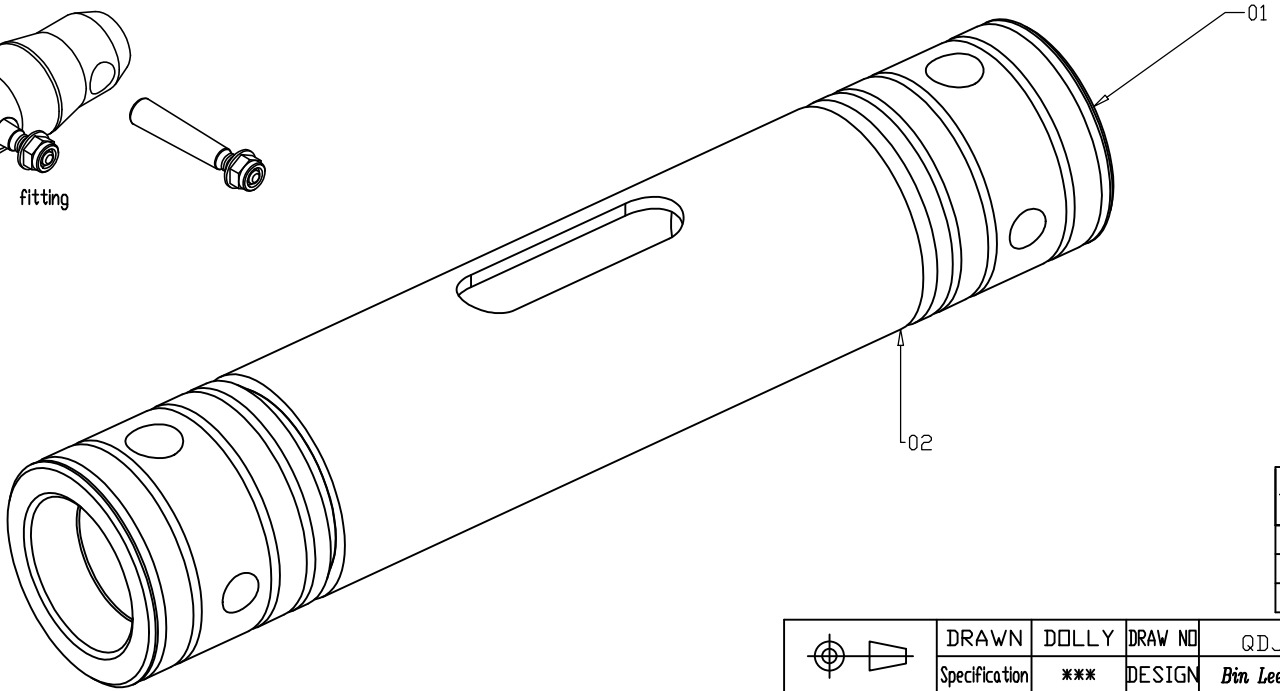
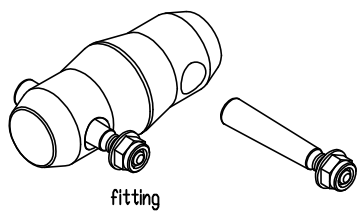
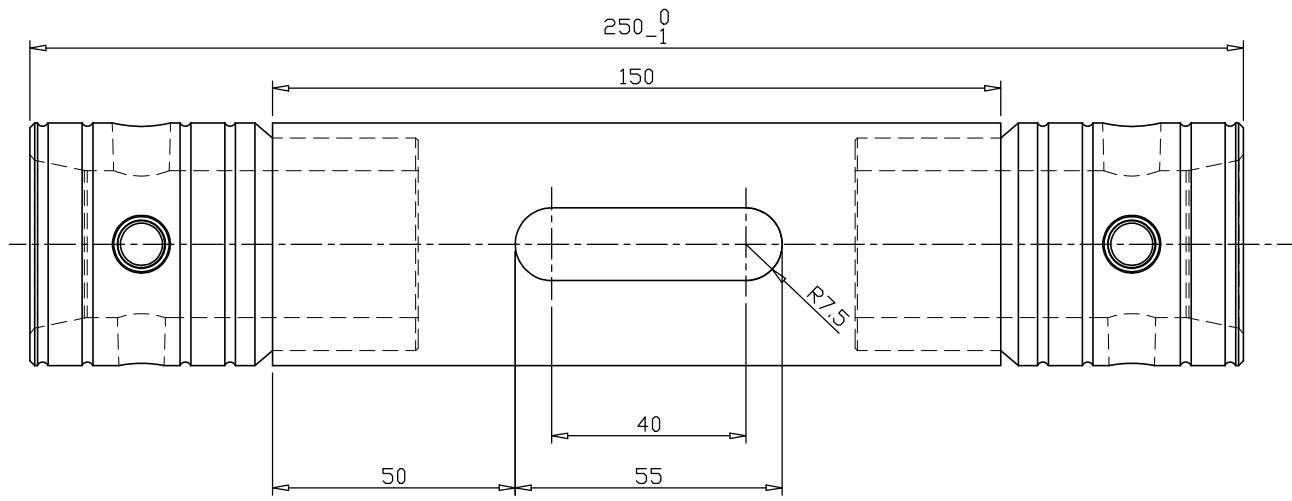


fitting	ST5005	S45C	ZP	2
	DMS-01-3	#2011	T6	1
02	∅50*3.0t*402mm	#6082	T6	1
01	DMS-01-2CUR	#6082	T6	2
NO.	SPEC.	MATERIAL	FIN.	QTY.

DRAWN	DOLLY	DRAW NO	QDJ007D-L050	2D/3D	edition	1	
Specification	***	DESIGN	Bin Lee	DATE	17.11.15	CHECKED	APPROVED
Weight	**kgs/pcs	UNITS	mm	Proofread			
SURFACE	RAW	SCALE	1:2				

MARK	NAME	RETRIEVE	CONTENTS	DATE





fitting	ST5005	S45C	ZP	2
	DMS-01-3	#2011	T6	1
02	∅50*3.0t*150mm	#6082	T6	1
01	DMS-01-2CUR	#6082	T6	2
NO.	SPEC.	MATERIAL	FIN.	QTY.

	DRAWN	DOLLY	DRAW NO	QDJ07D-L025	2D/3D	edition	1	
	Specification	***	DESIGN	Bin Lee	DATE	17.11.15	CHECKED	APPROVED
	Weight	**kgs/pcs	UNITS	mm	Proofread			
	SURFACE	RAW	SCALE	1:1.5				

MARK	NAME	RETRIEVE CONTENTS	DATE

