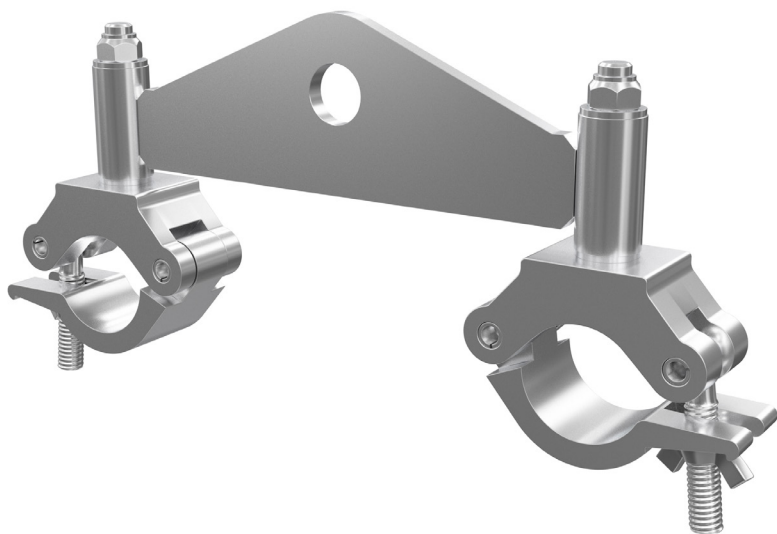


GIZMO FOR F33/F34

DATA SHEET



With the Global Truss Gizmo for F33 / F34 it is possible to suspend trusses in a fast and secure way. The design offers a high load capacity and is suitable with Global Truss F33, F33PL, F34 as well as F34P trusses.

The Gizmo is suitable for operation above persons and is delivered with two half-couplers.

This Gizmo is available in two versions:

GIZMO29
GIZMO29-B

galvanized
Stage Black finish

TECHNICAL DATA

Load: 1500 kg / WLL
750 kg above people
System: for F33 / F33PL / F34 / F34P
Hole: 25 mm

Inclusive two Half-Coupler (Code 8121)

